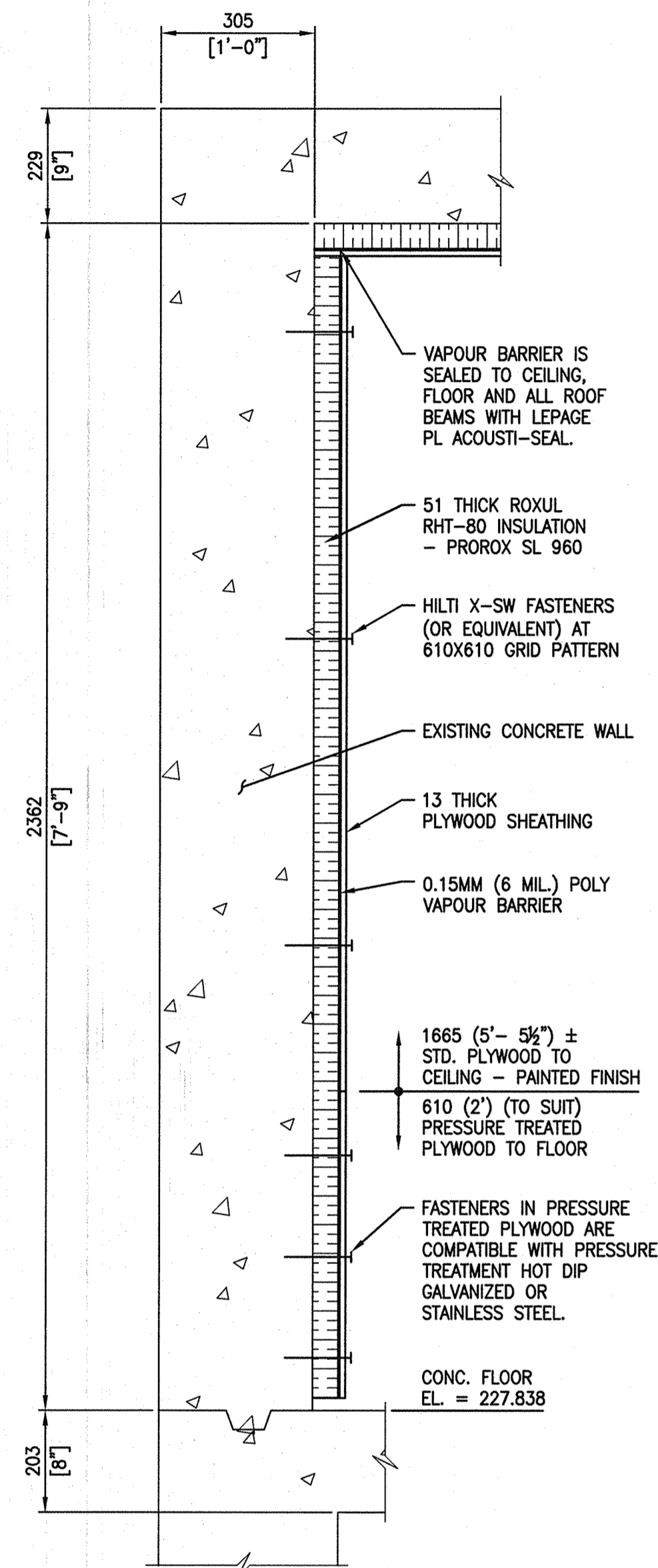


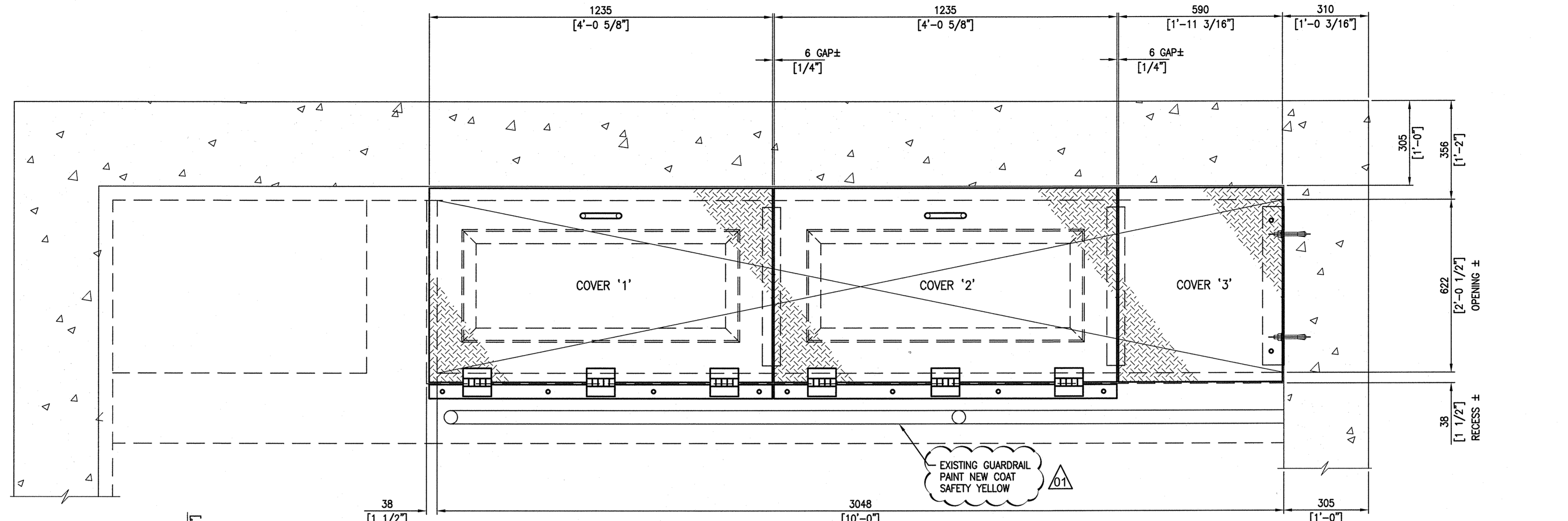
NOTES:

- 1. SEE DRAWING 1-0173F-S0001 FOR GENERAL NOTES.
- 2. SEE DRAWING 1-0173F-S0002 FOR STRUCTURAL NOTES.

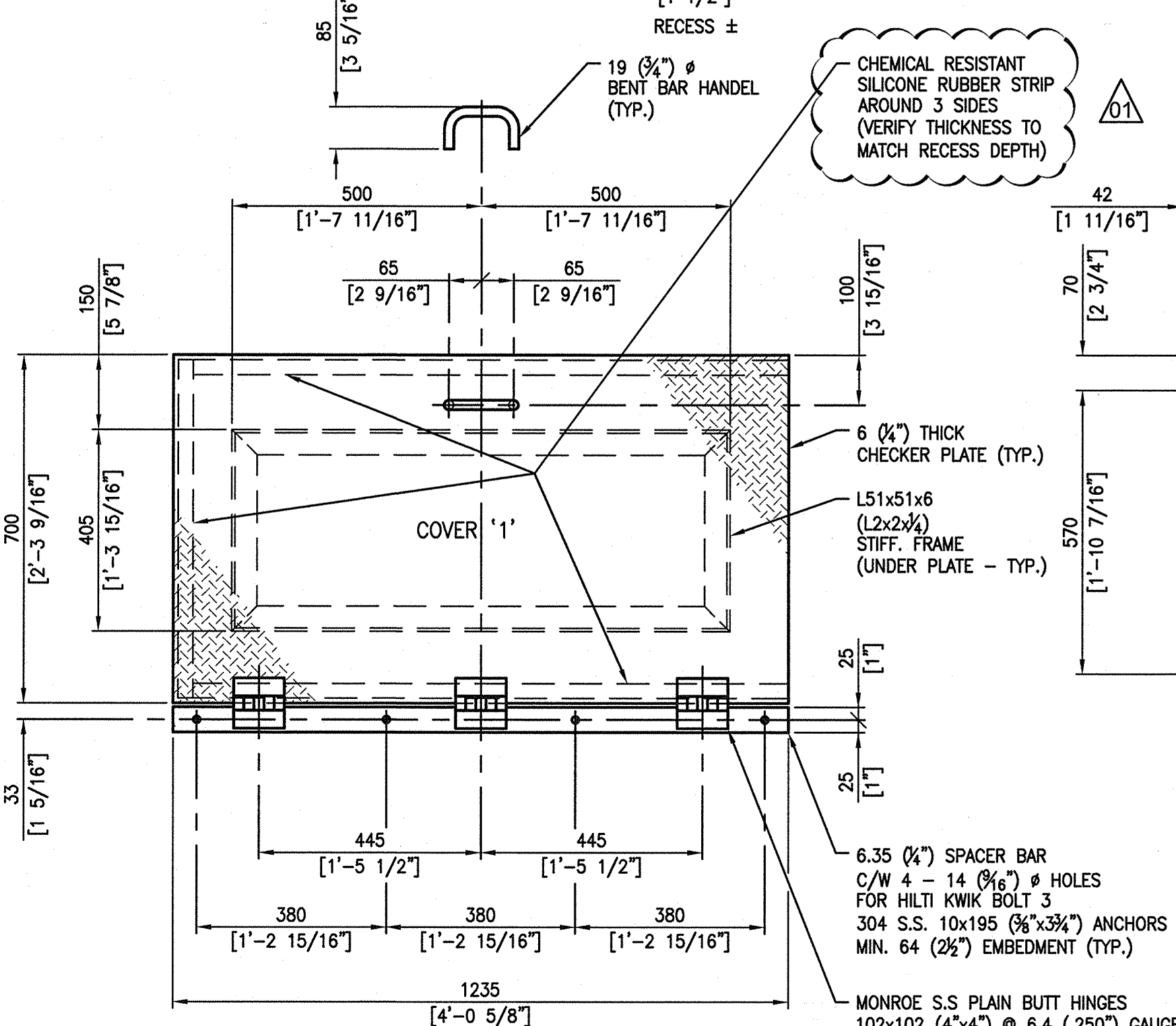


1 WALL INSULATION DETAIL

SCALE: 1 : 10  
SOURCE DRAWING 1-0173F-S0001

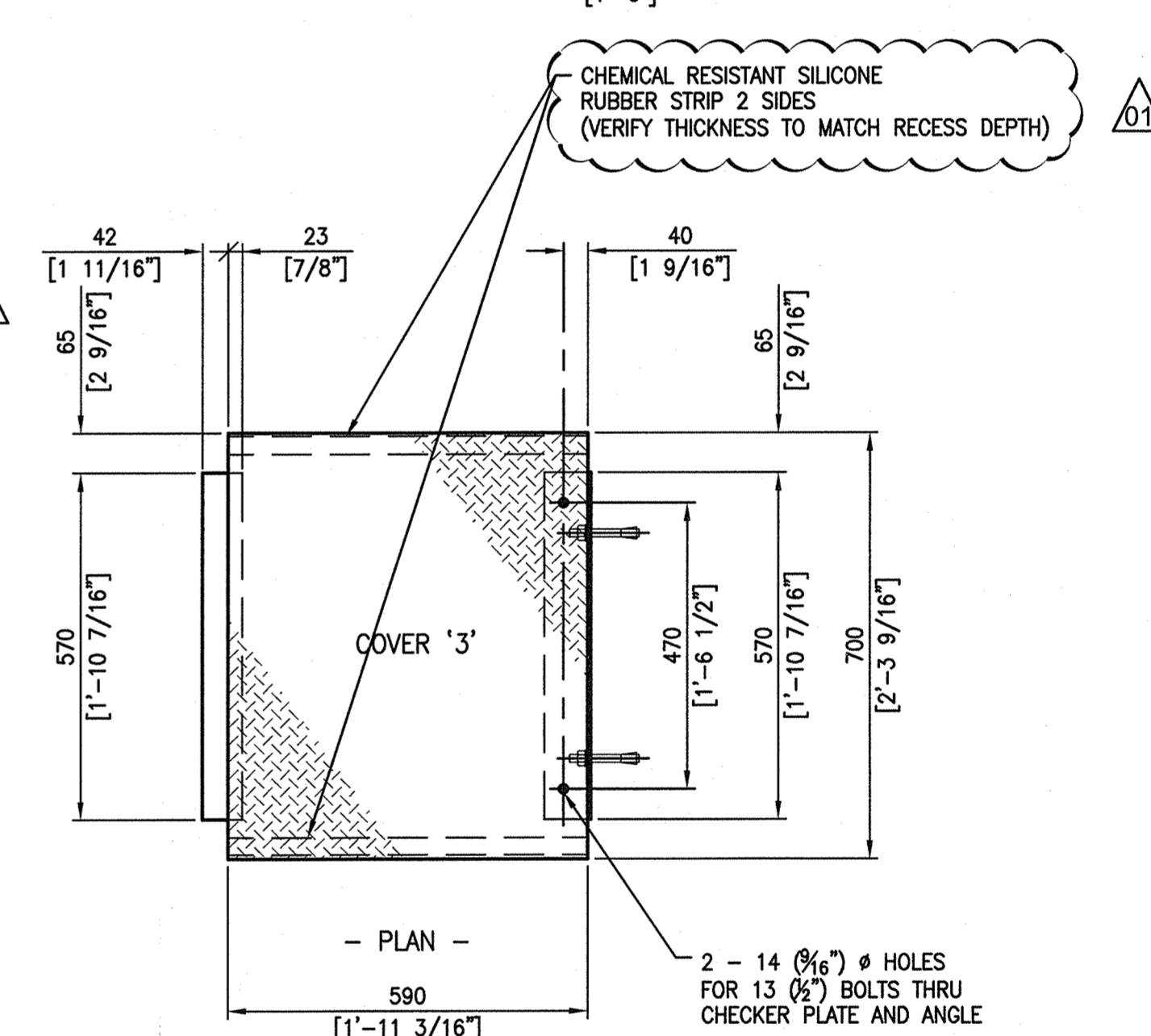
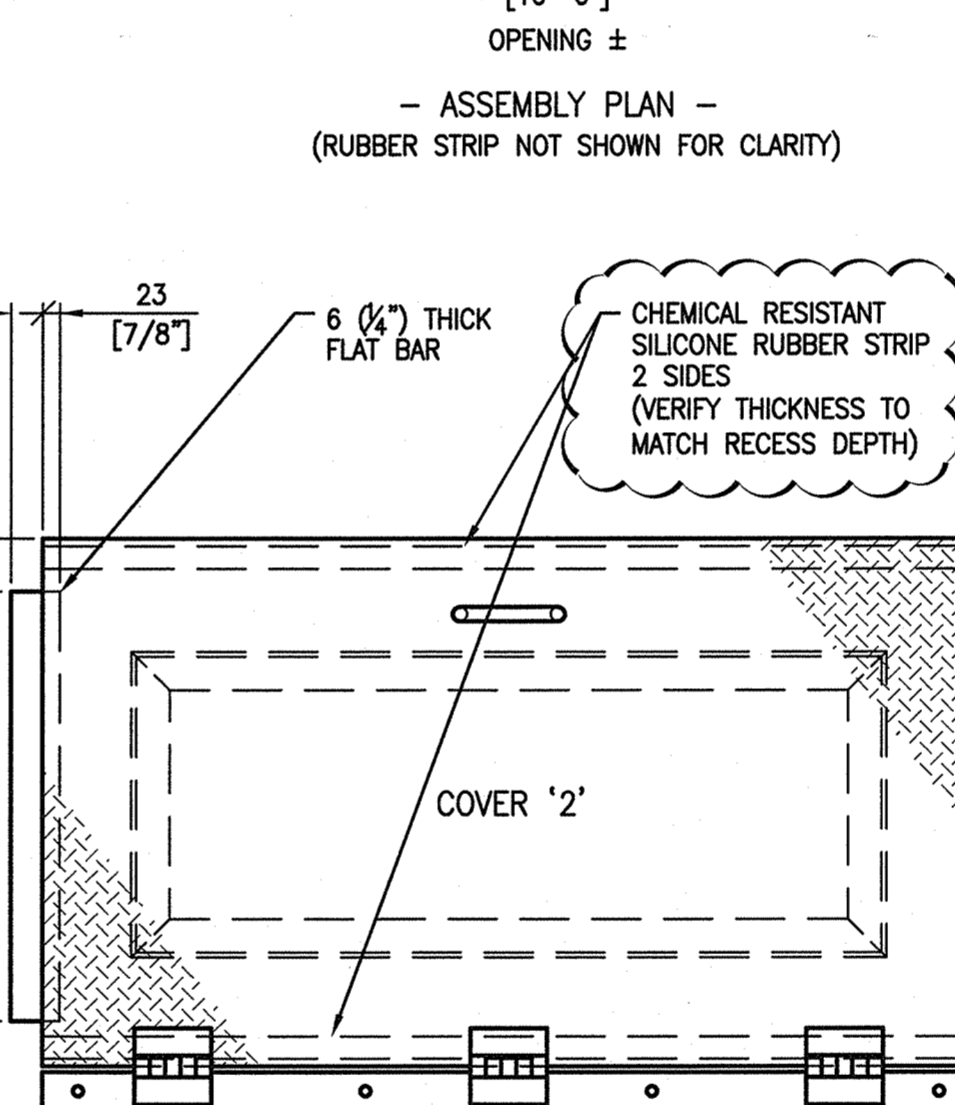


ASSEMBLY PLAN - (RUBBER STRIP NOT SHOWN FOR CLARITY)



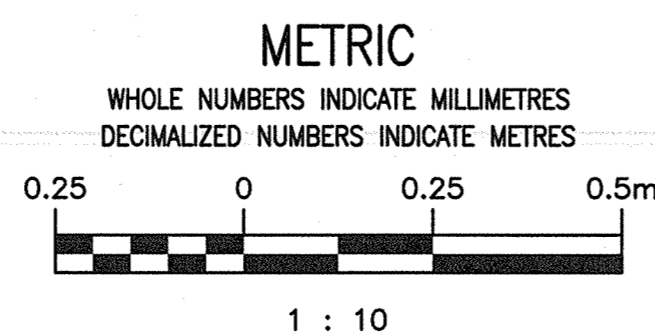
2 STAIR COVER(S) DETAIL

SCALE: 1 : 10  
SOURCE DRAWING 1-0173F-S0001



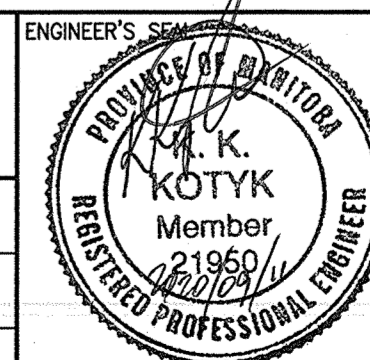
ALL STRUCTURAL 304 S.S. SHAPES AND PLATES CONFORM TO AISA 430 AND ASTM A276.

NOTE: TAKE CARE TO NOT DAMAGE EXIST. CONCRETE REINFORCING WHEN INSTALLING GUARDRAIL SUPPORTS. REFER TO NOTES ON DRAWING 1-0173F-S0002 FOR INSTALLATION PROCEDURE.



01	ISSUED FOR CONSTRUCTION	2020/09/11	K.K.	B.C.
00	ISSUED FOR TENDER, BID OP 567-2020	2020/08/19	K.K.	B.C.
NO.	REVISIONS	DATE	DESIGN	CHECK

DESIGNED BY:	K. KOTYK	CHECKED BY:	B. CLEVEN
DRAWN BY:	B. DICKSON	APPROVED BY:	B. CLEVEN
SCALE:	1 : 10	ISSUED FOR CONSTRUCTION BY:	K. ZUREK
DATE:	2020/05/25	DATE:	2020/09/02
CONSULTANT NO.:			



POLSON FLOOD PUMPING STATION 2020 UPGRADES STRUCTURAL MODIFICATIONS - COMMUNITOR CHAMBER STAIR COVER & WALL INSULATION DETAILS		POLSON FLOOD PUMPING STATION 2020 UPGRADES STRUCTURAL MODIFICATIONS - COMMUNITOR CHAMBER STAIR COVER & WALL INSULATION DETAILS	
CITY DRAWING NUMBER	1-0173F-S0004	SHEET	001
REV.	01	SIZE	A1