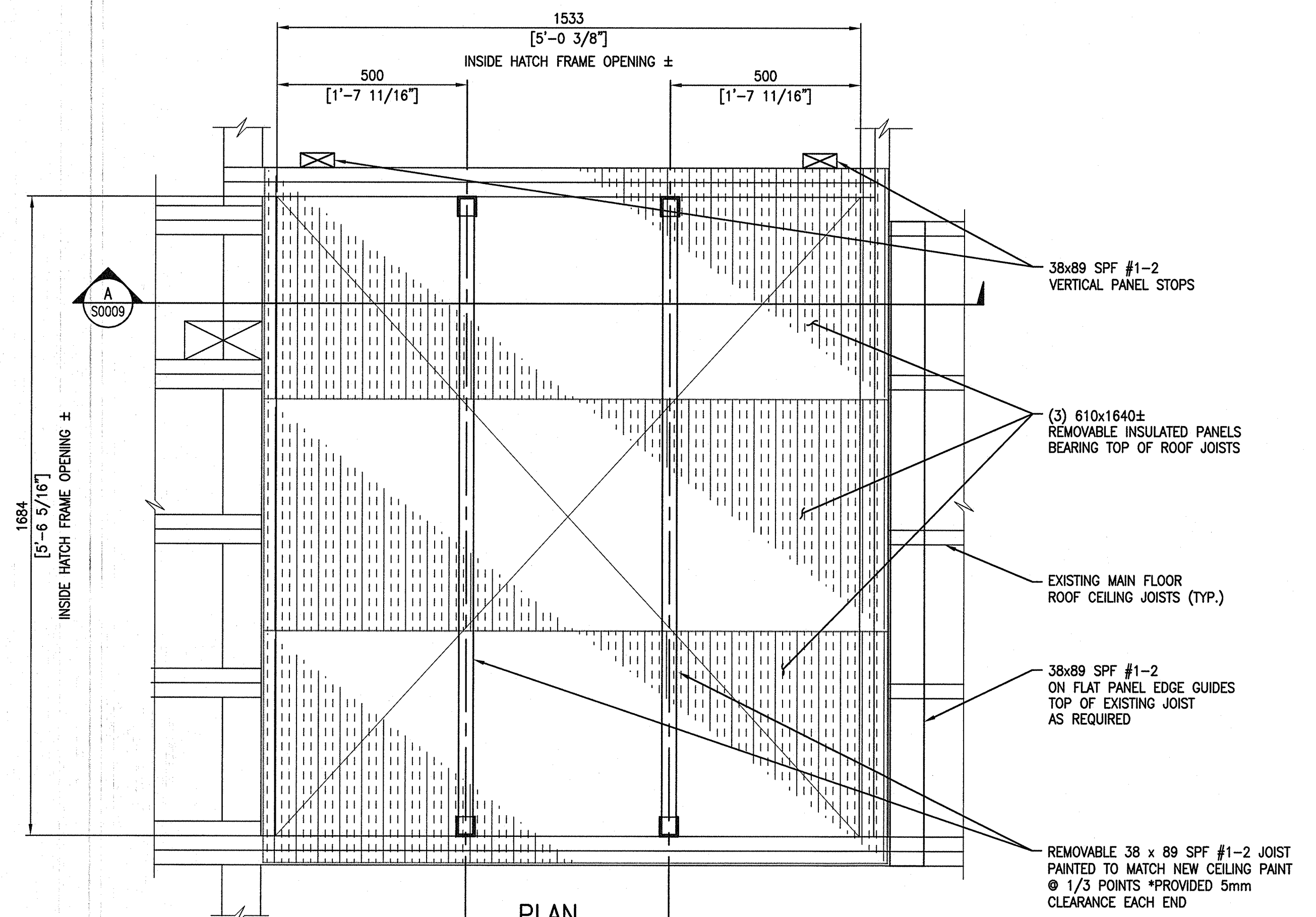
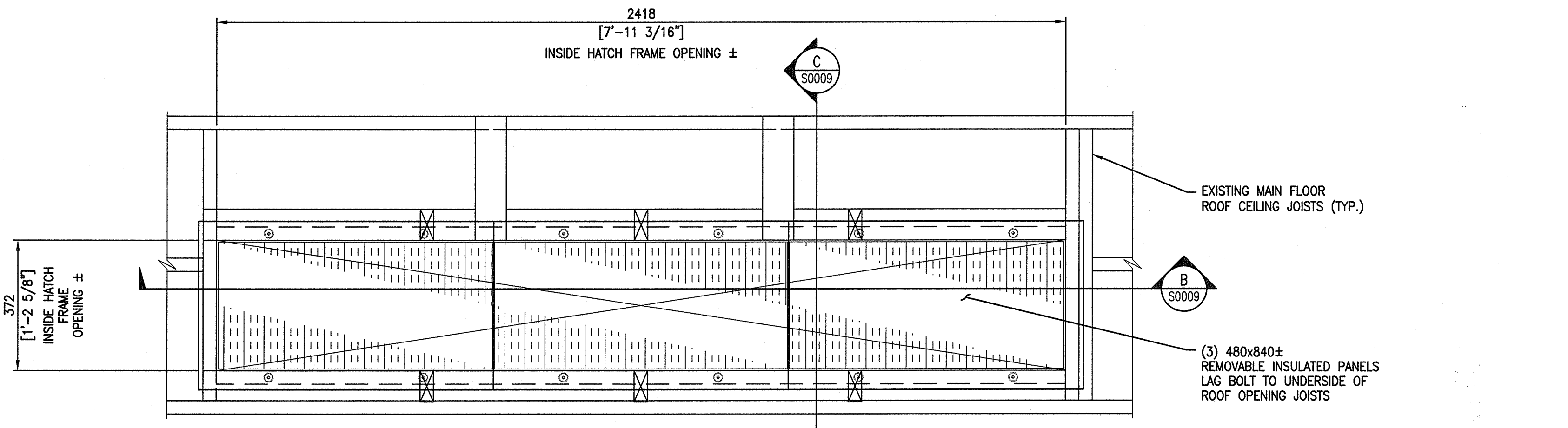


- BOTH PLANS -

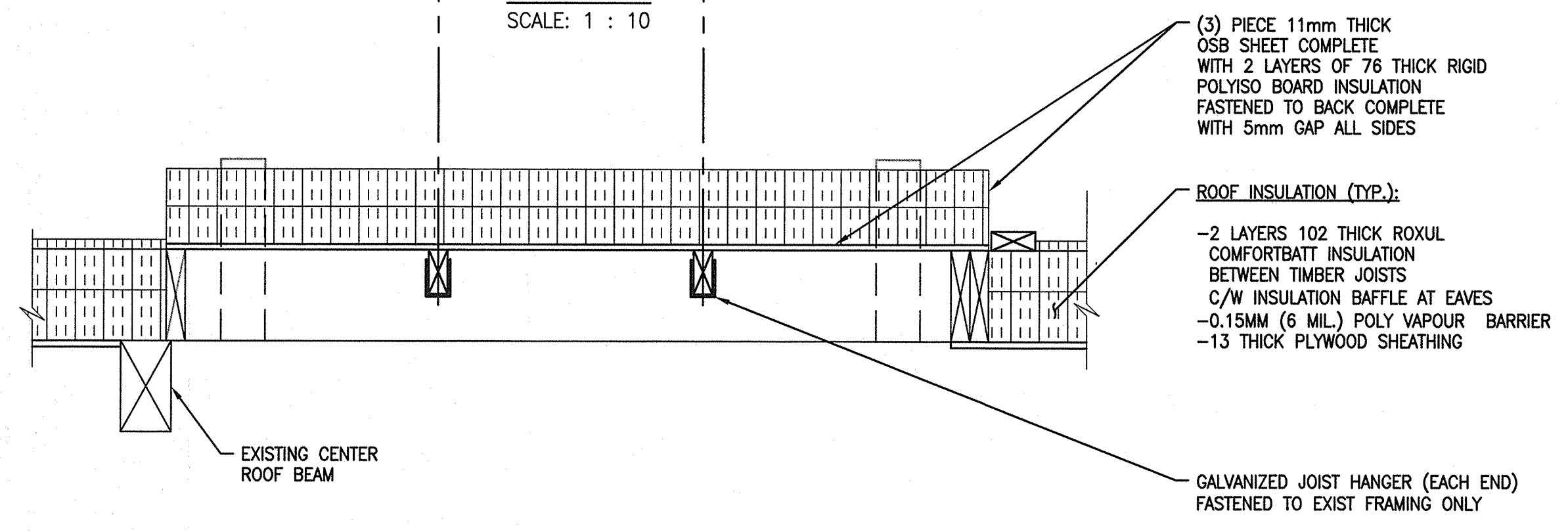
- NOTES:**
- SEE DRAWING 1-0173F-S0001 FOR GENERAL NOTES.
  - SEE DRAWING 1-0173F-S0002 FOR STRUCTURAL NOTES.



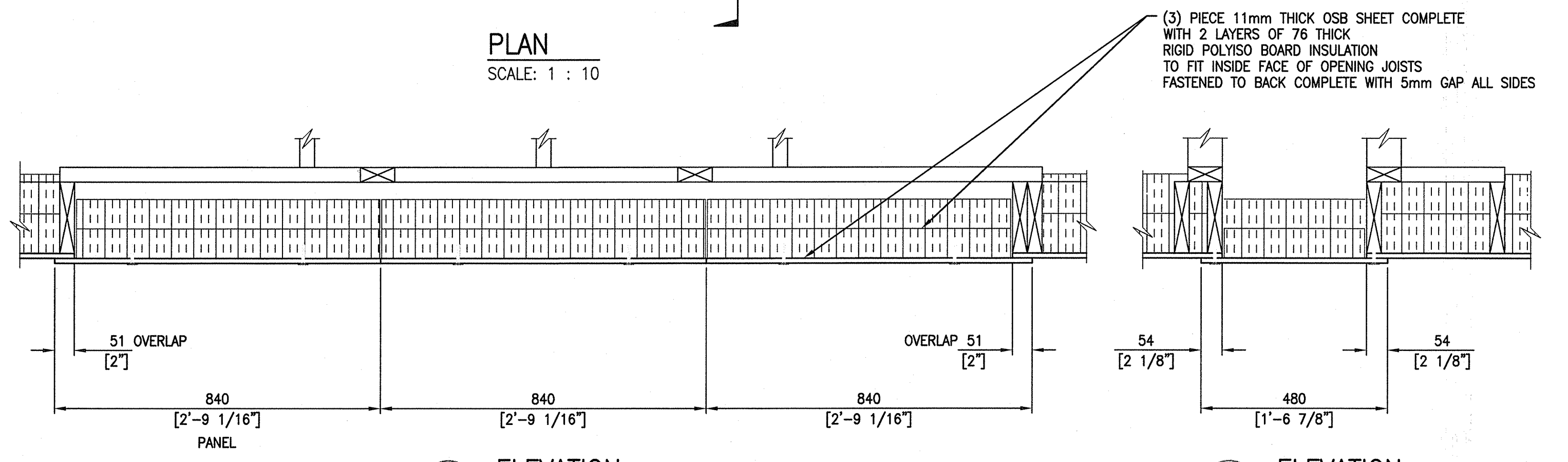
**PLAN**  
SCALE: 1 : 10



**PLAN**  
SCALE: 1 : 10



**A ELEVATION**  
SCALE: 1 : 10



**B ELEVATION**  
SCALE: 1 : 10

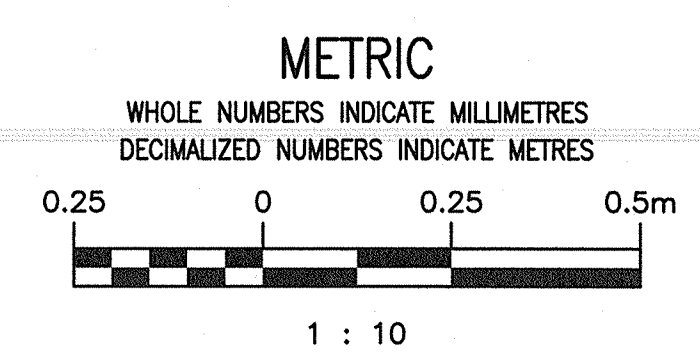
**C ELEVATION**  
SCALE: 1 : 10

**6a MAIN ROOF ACCESS HATCH COVER**  
SCALE: 1 : 10

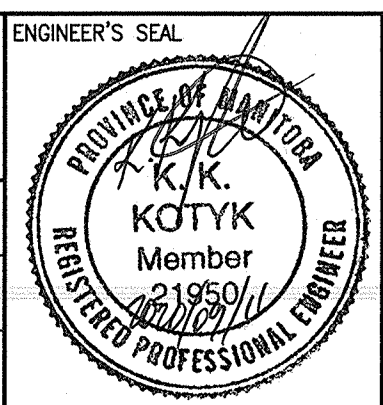
**6b MAIN ROOF SLIDE GATE ACCESS HATCH COVER**  
SCALE: 1 : 10

LAST SAVE: 2020/09/11 - 8:57am  
PATH: M:\672795\GEN\ESTR\DD - General DWG\1-0173F-S0009-001.dwg

LD-2960	POLSON FLOOD PUMPING STATION - CONCRETE SLAB REPAIR
LD-2644	POLSON FLOOD PUMPING STATION - ACCESS HATCH
LD-2643	POLSON FLOOD PUMPING STATION - FLAPGATE INSTALLATION
5-SD-4	POLSON AVENUE PUMPING STATION - SHEET 2
5-SD-4	POLSON AVENUE PUMPING STATION - SHEET 1
512	POLSON COMMUNOTOR STATION - REINFORCING STEEL DETAILS
511	POLSON COMMUNOTOR STATION - CONSTRUCTION DETAILS
DRAWING NUMBER	REFERENCE DRAWINGS



		SNC-LAVALIN INC. 148 Nature Park Way Winnipeg, MB, Canada R3P 0X7 204-766-0500	
DESIGNED BY:	K. KOTYK	CHECKED BY:	B. CLEVEN
DRAWN BY:	B. DICKSON	APPROVED BY:	B. CLEVEN
SCALE:	AS SHOWN	ISSUED FOR CONSTRUCTION BY:	K. ZUREK
DATE:	2020/07/10	DATE:	2020/09/02
CONSULTANT NO.:			
01	ISSUED FOR CONSTRUCTION	2020/09/11	K.K. B.C.
00	ISSUED FOR TENDER, BID OP 567-2020	2020/08/19	K.K. B.C.
NO.	REVISIONS	DATE	DESIGN CHECK



**THE CITY OF WINNIPEG**  
WATER AND WASTE DEPARTMENT

POLSON FLOOD PUMPING STATION  
2020 UPGRADES  
STRUCTURAL MODIFICATIONS - PUMPING STATION  
HATCH COVER DETAILS

CITY DRAWING NUMBER	1-0173F-S0009	SHEET	001	REV.	01	SIZE	A1
---------------------	---------------	-------	-----	------	----	------	----