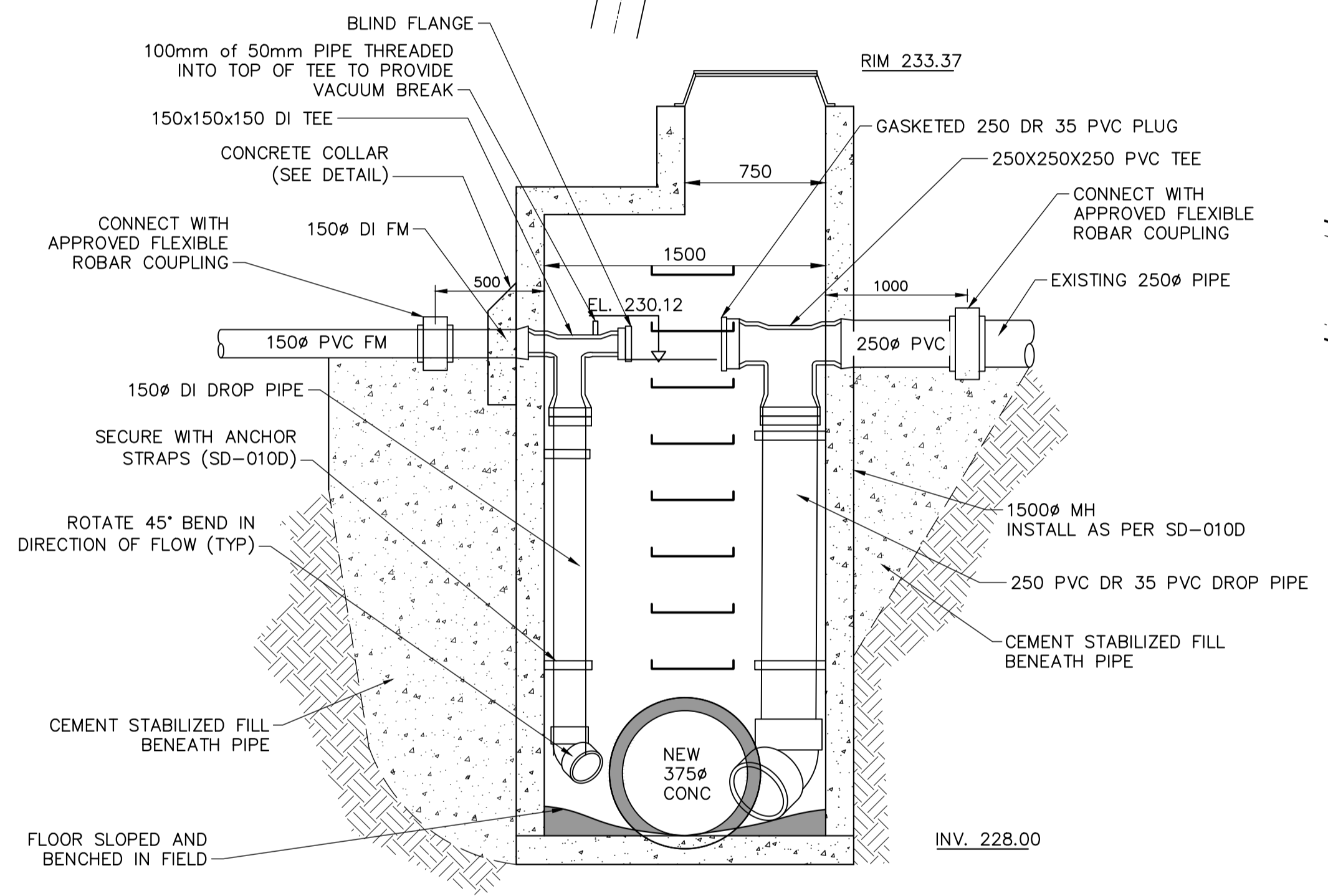
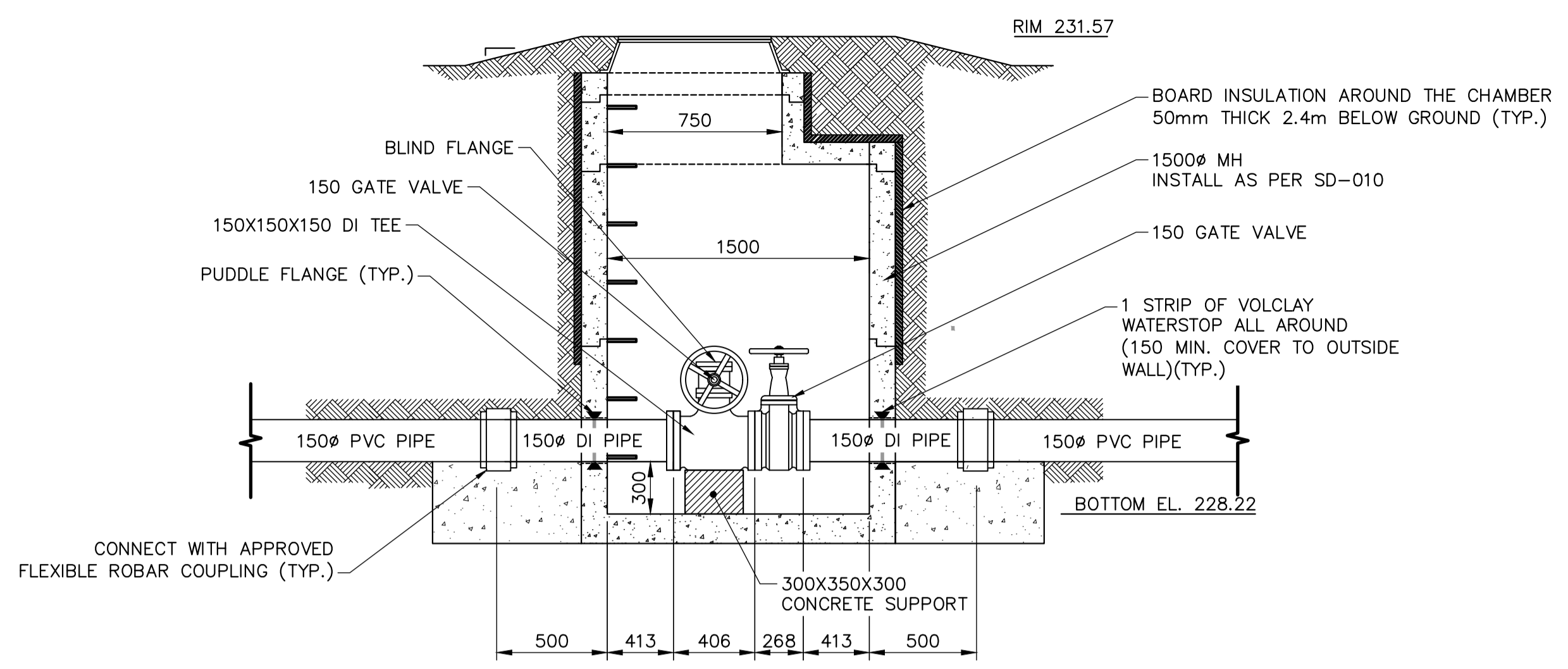


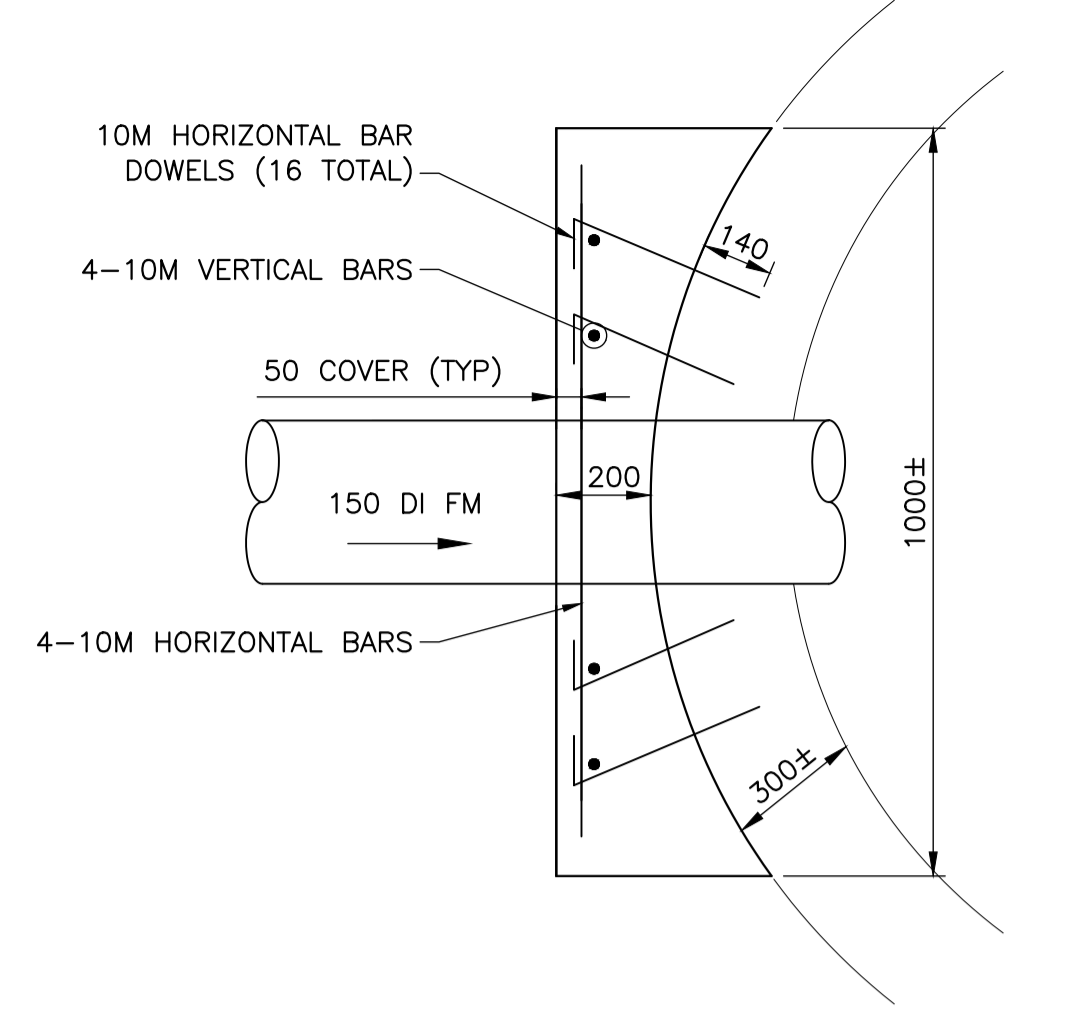
FORCEMAIN TIE-IN MANHOLE
SCALE: 1:25



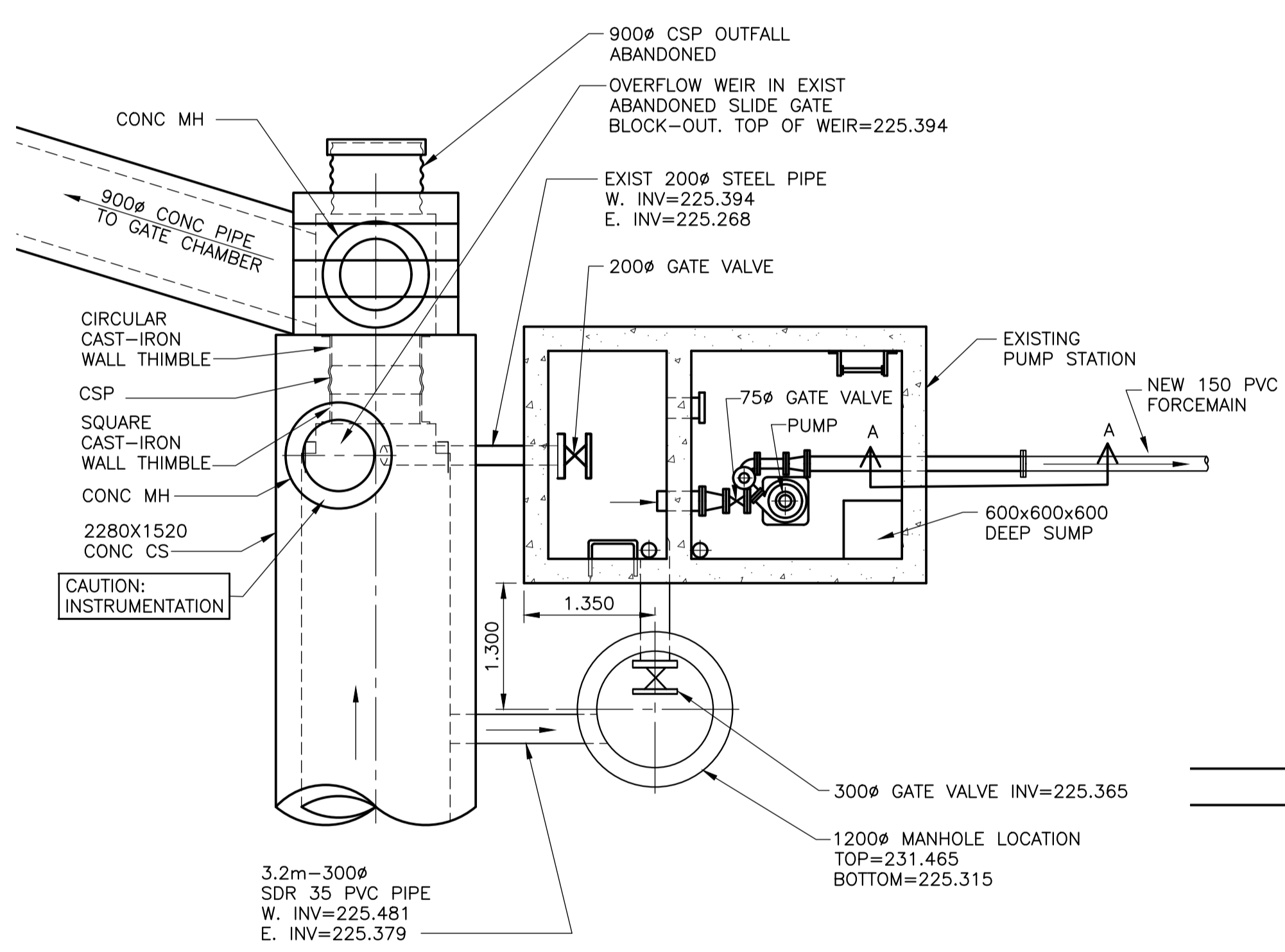
FORCEMAIN TIE-IN MANHOLE
SCALE: 1:25



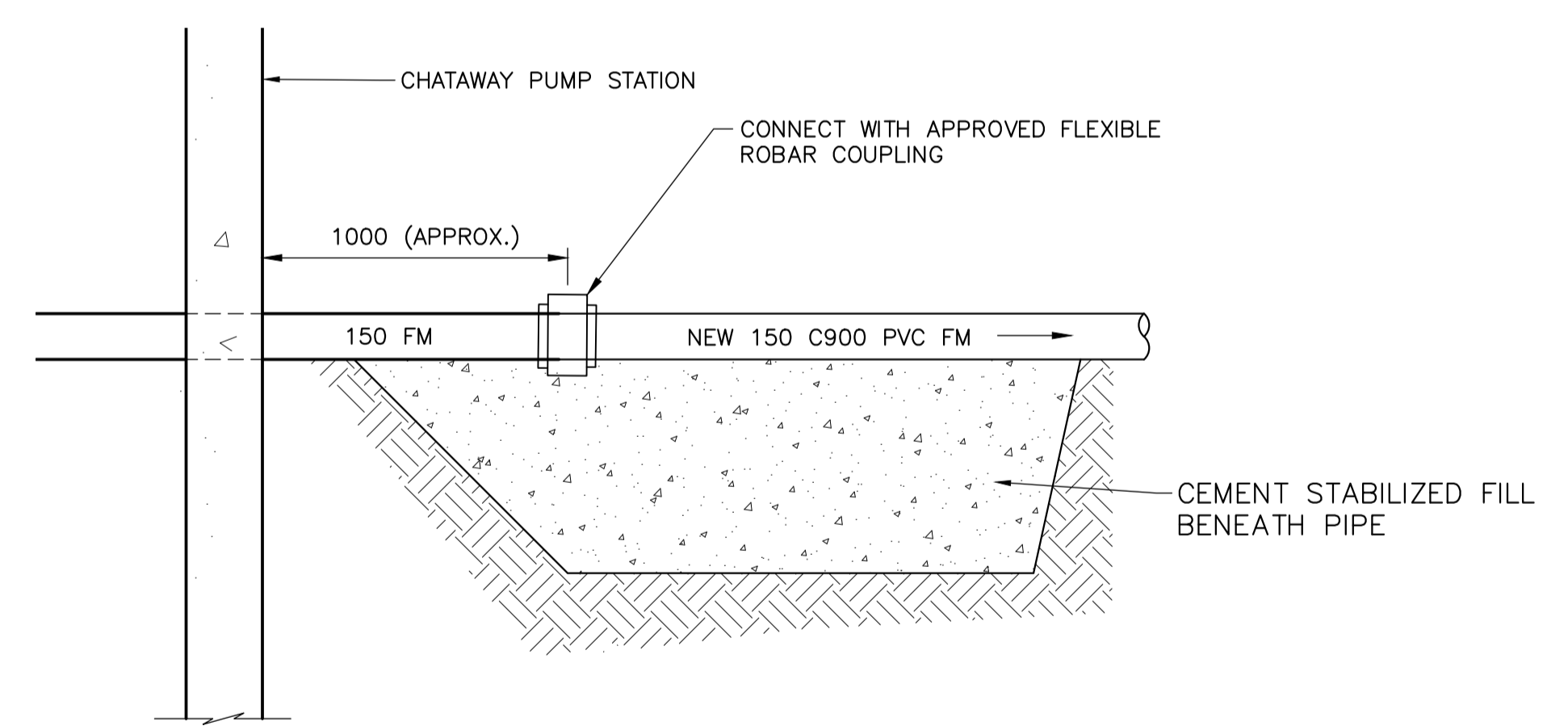
BY-PASS MANHOLE
SCALE: NTS



OUTER CONCRETE COLLAR DETAIL
NOT TO SCALE

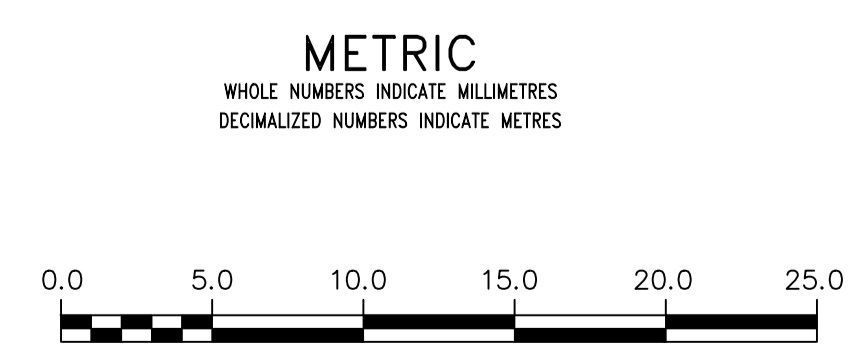


CHATAWAY LIFT STATION PLAN
SCALE: 1:50



CONNECTION OF NEW FORCEMAIN TO EXISTING LIFT STATION SECTION A-A
SCALE: 1:20

FOR INDEX PAGE
SEE DWG CU-00



WARNING
IF POWER EQUIPMENT OR EXPLOSIVES ARE TO BE USED FOR EXCAVATION ON THIS PROJECT THE CONTRACTOR MUST:
1) NOTIFY THE GAS COMPANY OF THE PROPOSED LOCATION OF EXCAVATION.
2) TAKE PRECAUTION TO AVOID DAMAGE TO GAS COMPANY INSTALLATIONS.
SEE PROVINCIAL REGULATION 210/72 FOR DETAILS

LOCATION APPROVED UNDERGROUND STRUCTURES
SUPV. U/G STRUCTURES COMMITTEE DATE
NOTE:
LOCATION OF UNDERGROUND STRUCTURES AS SHOWN ARE BASED ON THE BEST INFORMATION AVAILABLE BUT NO GUARANTEE IS GIVEN THAT ALL EXISTING UTILITIES ARE SHOWN OR THAT THE GIVEN LOCATIONS ARE EXACT. CONFIRMATION OF EXISTENCE AND EXACT LOCATION OF ALL SERVICES WAS OBTAINED FROM THE INDIVIDUAL UTILITIES BEFORE PROCEEDING WITH CONSTRUCTION.

B.M. ELEV.	NO.	REVISIONS	DATE	BY
	1	RE-ISSUED FOR TENDER	20/10/15	RBO
	0	ISSUED FOR TENDER	20/10/05	RBO

KGS GROUP		DESIGNED BY	TLE	CHECKED BY	RBO
		DRAWN BY	PwD	APPROVED BY	RBO
		SCALE:	HORIZONTAL 1:250	VERTICAL 1:50	
		DATE	2020 10 15	DATE	-

ENGINEER'S SEAL
CONSULTANT DRAWING NUMBER
CU-05

THE CITY OF WINNIPEG
WATER AND WASTE DEPARTMENT
ENGINEERING DIVISION

WELLINGTON CRESCENT
RIVERBANK, PATH AND ROADWAY PROJECT

FORCEMAIN DETAILS
S-MA70018599

SHEET **24** OF **69**
CITY DRAWING NUMBER
12599