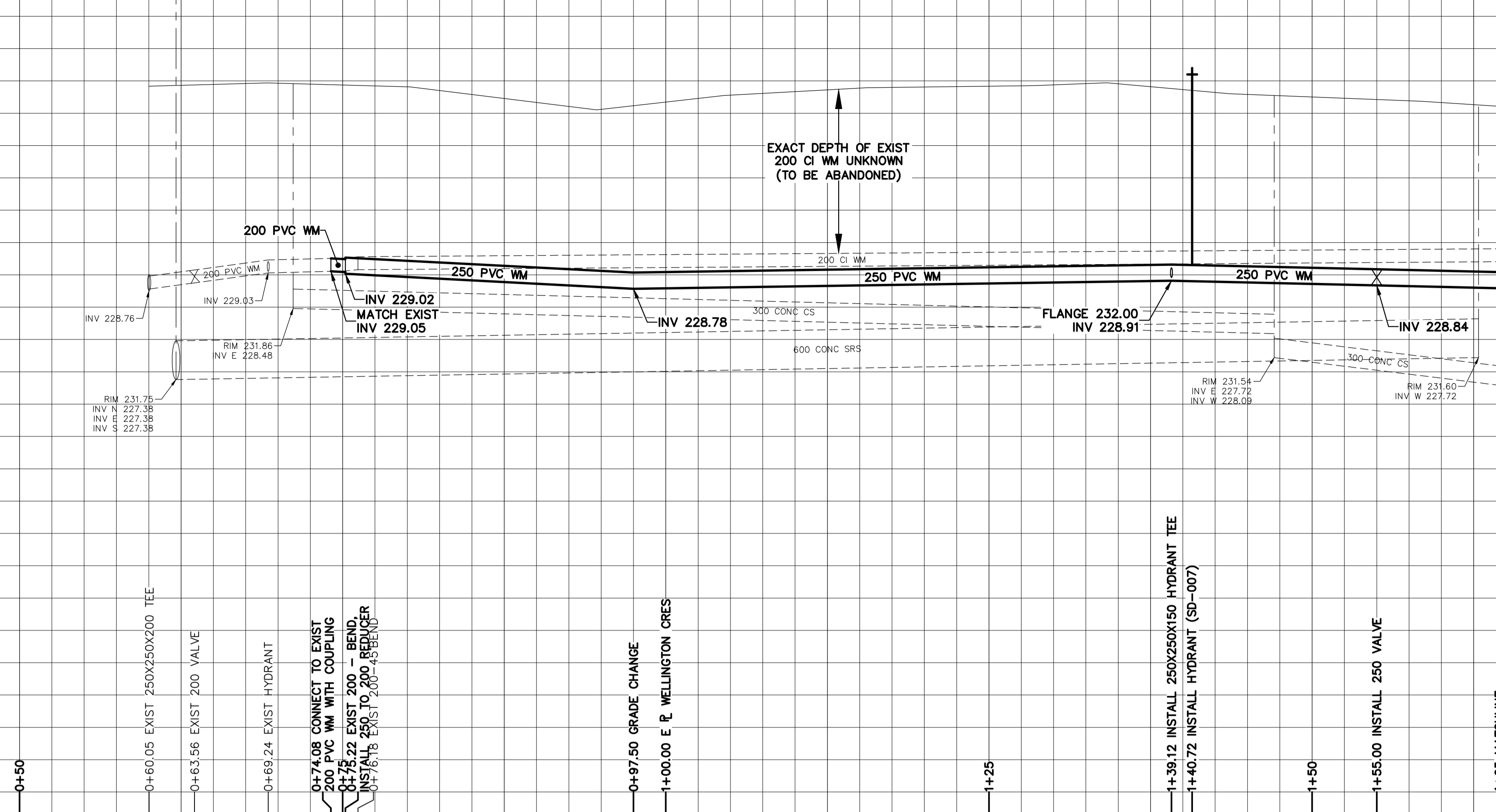


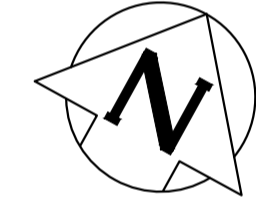
233.0  
232.0  
231.0  
230.0  
229.0  
228.0  
227.0  
226.0  
225.0

233.0  
232.0  
231.0  
230.0  
229.0  
228.0  
227.0  
226.0  
225.0



NOTE: CHAINAGES SHOWN ARE ALONG S. R. OF STRADBROOK AVENUE

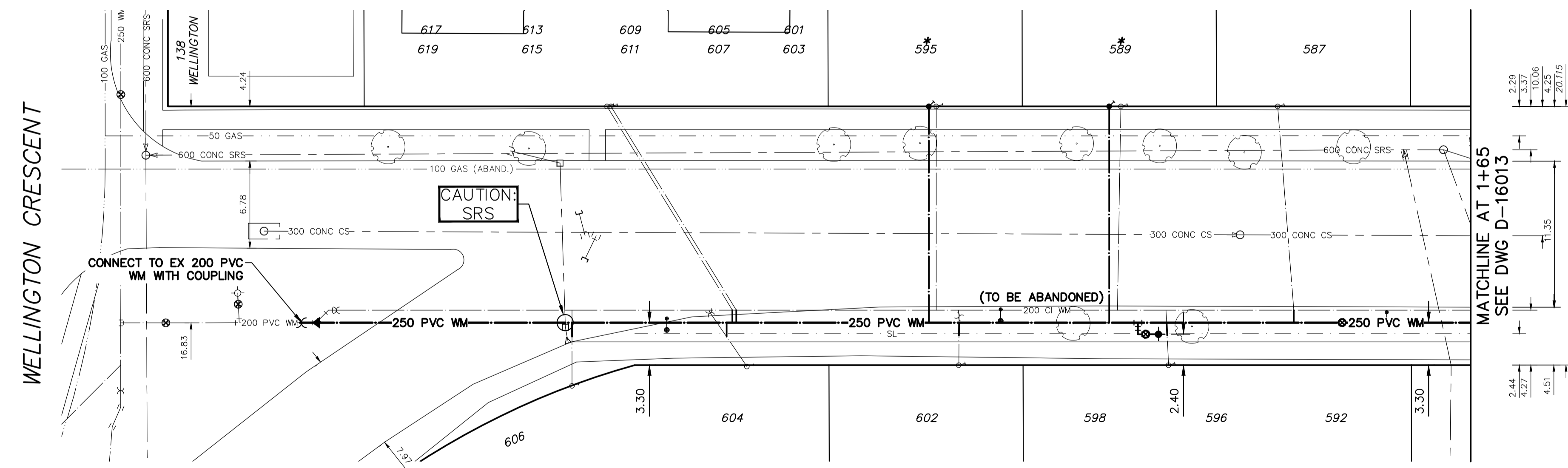
**STRADBROOK AVENUE**



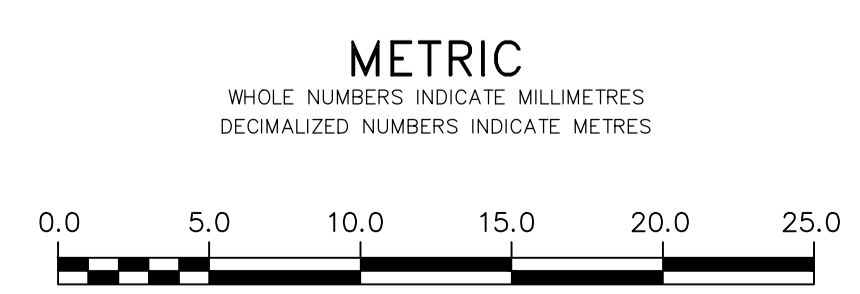
**WATER SERVICE INFORMATION**

ADDRESS	SIZE (mm) MATERIAL (STREET)	SIZE (mm) MATERIAL (PROP.)	SHORT & LONG MEASUREMENT	CORP. LOCATION	REMARKS
587 STRADBROOK AVE RESIDENTIAL	20 CI	20 CU	2.7 EWL HSE 70.7 WWL NASSAU	1.2 E OF S/C	RECONNECT SERVICE
*589 STRADBROOK AVE RESIDENTIAL	12 LEAD	12 CU	2.4 WEL HSE 82.9 WWL NASSAU	72.2 WWL NASSAU	RENEW TO R WITH 20 COPPER
592 STRADBROOK AVE RESIDENTIAL	38 CU	38 CU	16.8 WEL FOUNDATION 79.2 WWL NASSAU	0.2 W S/C	RECONNECT SERVICE
*593 STRADBROOK AVE RESIDENTIAL	16 LEAD	20 CU	OPP CTR OF HSE 59.7 EEL WELLINGTON CR	SAME AS S/C	RENEW TO R WITH 20 COPPER
598 STRADBROOK AVE RESIDENTIAL	UNKN UNKN	UNKN UNKN	UNKN UNKN	UNKN	RECONNECT SERVICE
601 STRADBROOK AVE RESIDENTIAL	38 CU	38 UNKN	UNKN UNKN	9.8 E OF S/C	RECONNECT SERVICE
602 STRADBROOK AVE RESIDENTIAL	20 CU	12 LEAD	5 W/E BLDG 7.5 W/E LL	OPP S/C	RECONNECT SERVICE
603 STRADBROOK AVE RESIDENTIAL	UNKN UNKN	UNKN UNKN	UNKN UNKN	UNKN	RECONNECT SERVICE
604 STRADBROOK AVE RESIDENTIAL	20 LEAD	20 LEAD	8.74 E WILL 44.2 EEL WELLINGTON CR	42.4 ELL WELLINGTON CR	RECONNECT SERVICE
605 STRADBROOK AVE RESIDENTIAL	UNKN UNKN	UNKN UNKN	UNKN UNKN	UNKN	RECONNECT SERVICE
606 STRADBROOK AVE RESIDENTIAL	UNKN UNKN	UNKN UNKN	0.9 WEL BASEMENT 33.5 EEL WELLINGTON CR	OPP OF S/C	RECONNECT SERVICE
607 STRADBROOK AVE RESIDENTIAL	UNKN UNKN	UNKN UNKN	UNKN UNKN	UNKN	RECONNECT SERVICE
609 STRADBROOK AVE RESIDENTIAL	UNKN UNKN	UNKN UNKN	UNKN UNKN	UNKN	RECONNECT SERVICE
611 STRADBROOK AVE RESIDENTIAL	38 CU	38 CU	SAME AS LONG 34.1 EEL WELLINGTON CR	9.4 E OF S/C	RECONNECT SERVICE
613 STRADBROOK AVE RESIDENTIAL	UNKN UNKN	UNKN UNKN	UNKN UNKN	UNKN	RECONNECT SERVICE
615 STRADBROOK AVE RESIDENTIAL	UNKN UNKN	UNKN UNKN	UNKN UNKN	UNKN	RECONNECT SERVICE
617 STRADBROOK AVE RESIDENTIAL	UNKN UNKN	UNKN UNKN	UNKN UNKN	UNKN	RECONNECT SERVICE
619 STRADBROOK AVE RESIDENTIAL	UNKN UNKN	UNKN UNKN	UNKN UNKN	UNKN	RECONNECT SERVICE

\*SERVICES TO BE RENEWED TO R. ALL OTHERS TO BE RECONNECTED



NOTE: ALL VALVES TO BE INSTALLED COUNTERCLOCKWISE TO CLOSE



**WARNING**

IF POWER EQUIPMENT OR EXPLOSIVES ARE TO BE USED FOR EXCAVATION ON THIS PROJECT THE CONTRACTOR MUST:

- 1) NOTIFY THE GAS COMPANY OF THE PROPOSED LOCATION OF EXCAVATION.
- 2) TAKE PRECAUTION TO AVOID DAMAGE TO GAS COMPANY INSTALLATIONS.

SEE PROVINCIAL REGULATION 21072 FOR DETAILS

**LOCATION APPROVED UNDERGROUND STRUCTURES**

SUPV. U/G STRUCTURES COMMITTEE DATE

NOTE: LOCATION OF UNDERGROUND STRUCTURES AS SHOWN ARE BASED ON THE BEST INFORMATION AVAILABLE BUT NO GUARANTEE IS GIVEN THAT ALL EXISTING UTILITIES ARE SHOWN OR THAT THE GIVEN LOCATIONS ARE EXACT. CONFIRMATION OF EXISTENCE AND EXACT LOCATION OF ALL SERVICES MUST BE OBTAINED FROM THE INDIVIDUAL UTILITIES BEFORE PROCEEDING WITH CONSTRUCTION.

B.M. ELEV.	NO.	REVISIONS	DATE	BY
	3	ADDENDUM 1	2021/05/19	R.H.
	2	ISSUED FOR TENDER	2021/05/06	R.H.
	1	RE-ISSUED FOR DESIGN REVIEW	2021/05/04	R.H.
	0	ISSUED FOR DESIGN REVIEW	2021/04/12	R.H.

**wsp**

111-93 Lombard Avenue  
Winnipeg, Manitoba  
R3B 3B1 Canada  
Phone: 204-943-3178  
Fax: 204-943-4948  
wsp.com

DESIGNED BY: D.R./R.H. CHECKED BY: S.M.

DRAWN BY: D.R. APPROVED BY: S.M.

SCALE: HORIZONTAL 1:250 VERTICAL 1:50

DATE: 2021 05 19

ENGINEER'S SEAL

NOT FOR CONSTRUCTION

CONSULTANT DRAWING NUMBER  
211-00300-00-07

**THE CITY OF WINNIPEG**  
WATER AND WASTE DEPARTMENT  
ENGINEERING DIVISION

2021 WATER MAIN RENEWAL-CONTRACT 03

**STRADBROOK AVENUE**  
11 E OF WELLINGTON AVE TO  
59 W OF NASSUA ST N

SHEET 08 OF 10  
CITY DRAWING NUMBER  
D-16012

**ENGINEERS GEOSCIENTISTS MANITOBA**

Certificate of Authorization  
WSP Canada Inc.  
No. 5750