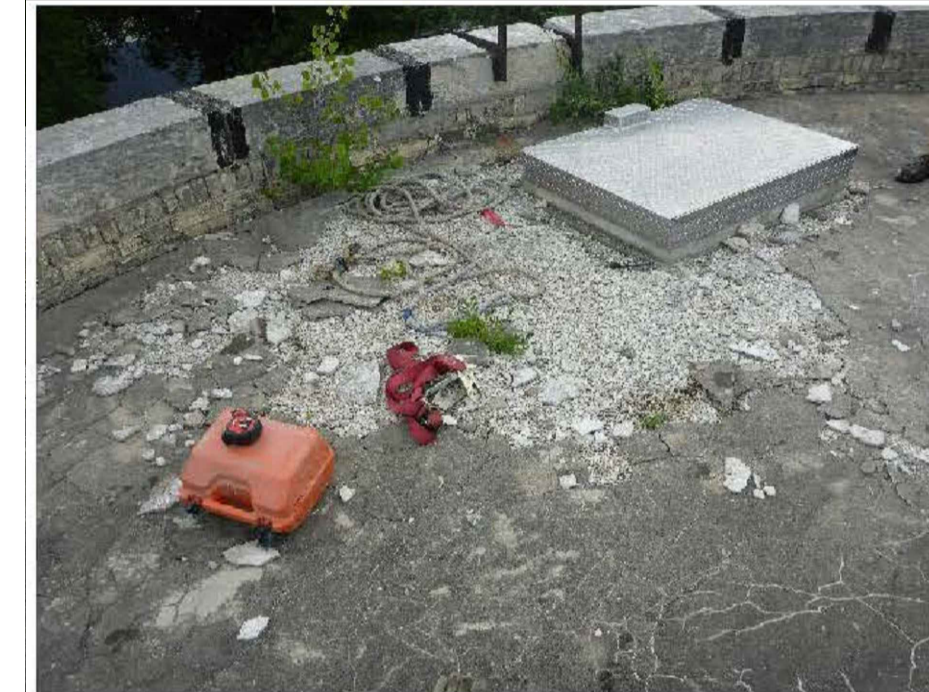


NOTE: 1



NOTE: 4, 5



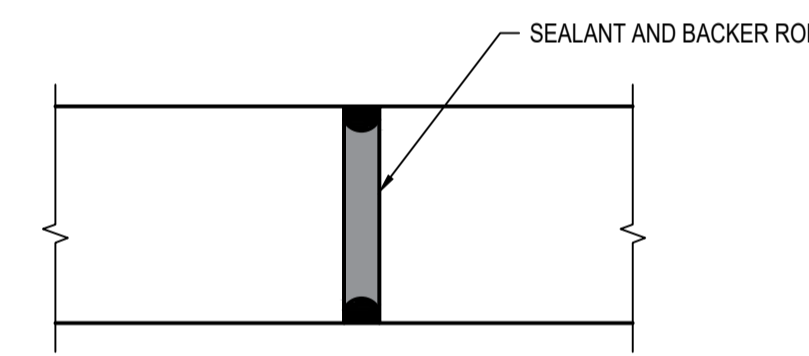
NOTE: 1, 4, 8



NOTE: 4, 5, 8



NOTE: 3



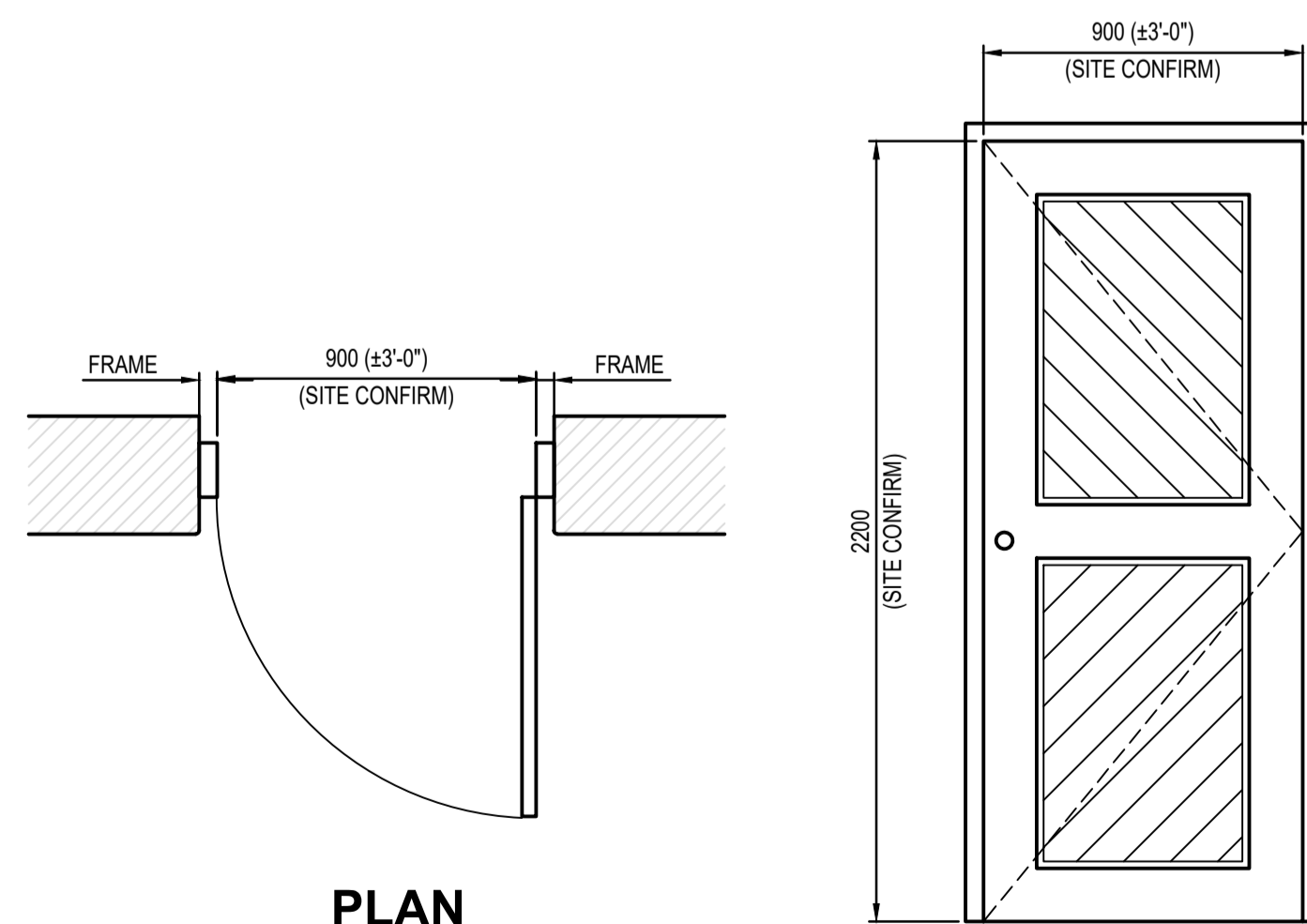
3 PARAPET COPING STONE JOINT REPAIR
NOT TO SCALE



DOOR 9

TACHE SURGE TOWER REPAIR LEGEND	
KEYNOTE REMEDIATION ACTION	
1	DEMOLISH AND REMOVE EXISTING ROOFING SYSTEM. REFER TO DETAILED DRAWINGS AND STRUCTURAL DRAWINGS.
2	EXISTING ROOF ACCESS LADDER TO REMAIN. SUPPLY AND INSTALL SIGN "DO NOT USE".
3	RE-POINT ALL DETERIORATED MORTAR JOINTS ON EXTERIOR FACE OF TOWER.
4	RE-POINT ALL PARAPET AND COPING STONE JOINTS. REMOVE AS MUCH BLACK TAR FROM STONE SURFACES AT PARAPET AND CORNICE STONES AS POSSIBLE, VIA NON-DESTRUCTIVE OR CHEMICAL MEANS.
5	REPAIR ALL HOLES ON THE CORNICE AND PARAPET STONE.
6	REPLACE ALL BROKEN LIMESTONE OR CLAY BRICK UNITS TO MATCH EXISTING AS CLOSE AS POSSIBLE. SAMPLES TO BE SUBMITTED FOR REVIEW AND APPROVAL PRIOR TO INSTALLATION.
7	REPAIR CHIP AND CRACKS IN STONE AND BRICK UNITS WITH REPAIR PASTE TO MATCH EXISTING AS CLOSE AS POSSIBLE. SAMPLES TO BE SUBMITTED FOR REVIEW AND APPROVAL PRIOR TO INSTALLATION.
8	REPAIR BRICK VENEER AND SALVAGE BRICK VENEER WHERE POSSIBLE AT THE PARTAPET INSIDE FACE. REPLACE VENEER WHEN BRICK VENEER IS POOR. REPAIR MORTAR JOINTS BY REPOINTING.
9	INSTALL NEW FIBERGLASS DOOR AND FRAME. COLOUR TO MATCH EXISTING C/W NEW HARDWARE.
10	BRUSH WASH THE ENTIRE EXTERIOR OF THE TOWER AFTER REPAIRS HAVE BEEN COMPLETED

1 SURGE TOWER 3D
NOT TO SCALE



PLAN

ELEVATION

2 NEW DOOR DETAILS
NOT TO SCALE

				ENGINEER'S SEAL	
DESIGNED BY: K. SIDDALL DRAWN BY: G. PROFETA SCALE:				CHECKED BY: M. HOQUE APPROVED BY: RELEASED FOR CONSTRUCTION BY:	
DATE: 2022-11-14 CONSULTANT NO.: 60661011				CITY DRAWING NUMBER: 1-0660R-B0002-001 SHEET: 8 of 13 REV: 1 SIZE: A1	
TACHE BOOSTER PUMPING STATION AND SURGE TOWER UPGRADES ARCHITECTURAL SURGE TOWER EXTERIOR EXTERNAL REMEDIATION					