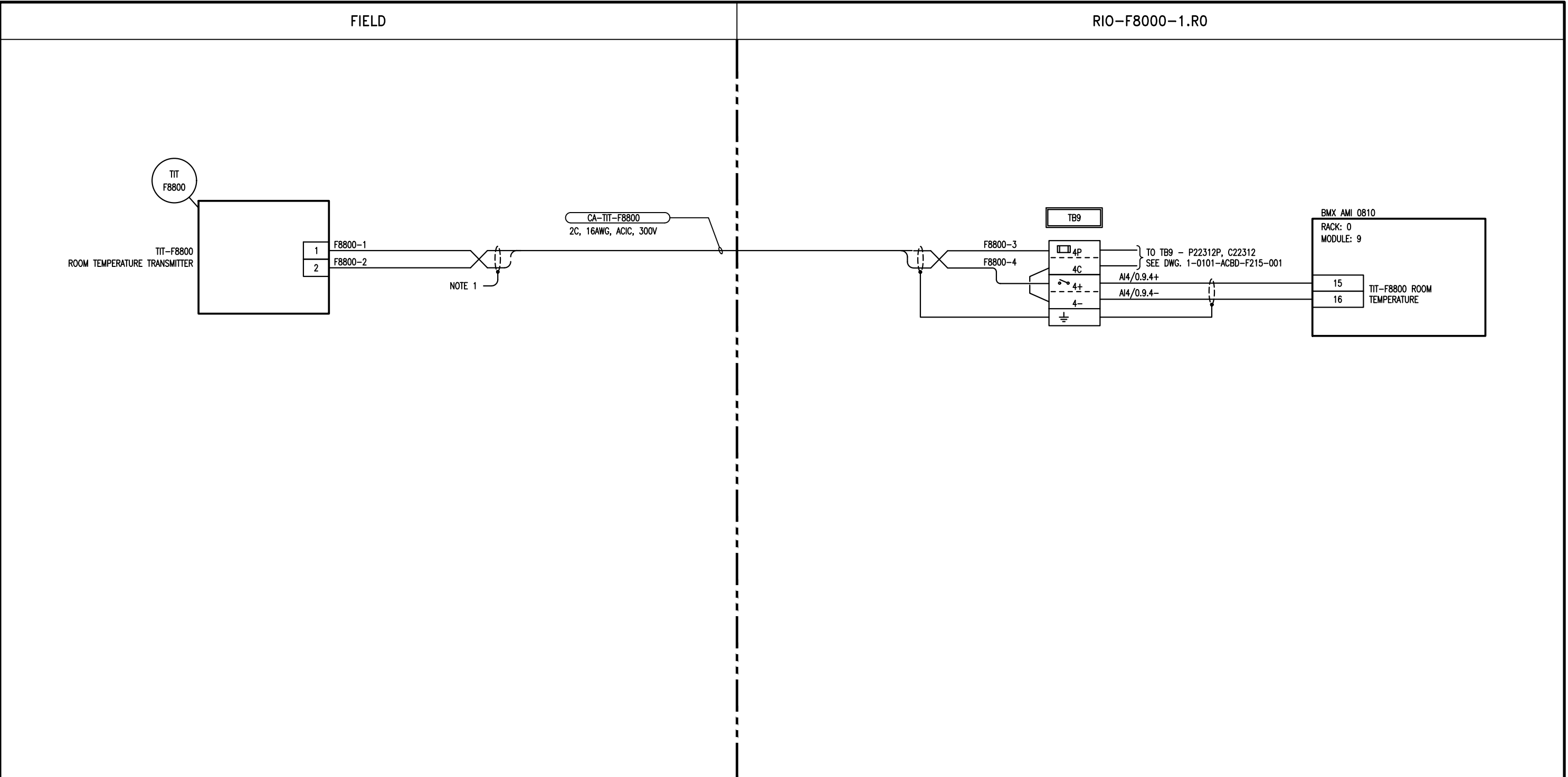


LAST SAVE: 2022/07/13 - 12:23pm
 PATH: \\192.168.0.226\1-r-data\Projects\2021\21-0107-015\Dwg\Elec\ADDENDUM\1-0101-AILD-F263-001.DWG
 B SIZE - 279mm x 432mm



NOTES
 1. ISOLATE AND TAPE BACK SHIELD AT THIS END ONLY.

**ENGINEERS
 GEOSCIENTISTS
 MANITOBA**

Certificate of Authorization

KGS Group

No. 245

NO.	REVISIONS	DATE	DESIGN	CHECK
0	ISSUED FOR CONSTRUCTION	2022 07 05	DRS	<i>JRS</i>

DESIGNED BY: DRS
CHECKED BY: *JRS*

DRAWN BY: RG
APPROVED BY: *JRS*

SCALE: NTS
DATE:

ISSUED FOR CONSTRUCTION
BY: _____ **DATE:** _____

CONSULTANT NO.: 21-0107-015_A6.224

ENGINEER'S SEAL

THE CITY OF WINNIPEG
 WATER AND WASTE DEPARTMENT
 ENGINEERING DIVISION

NORTH END SEWAGE TREATMENT PLANT (NEWPCC)
 INTERIM PHOSPHOROUS REMOVAL
 BUILDING 101
 AUTOMATION - LOOP DRAWING
 TIT-F8800 ROOM 101B RAILCAR SHELTER 2

CITY DRAWING NUMBER	SHEET	REV.	SIZE
1-0101-AILD-F263-001	001	0	B