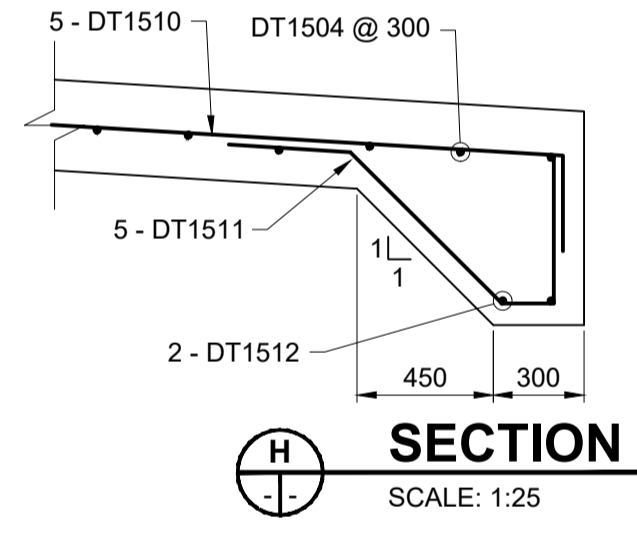
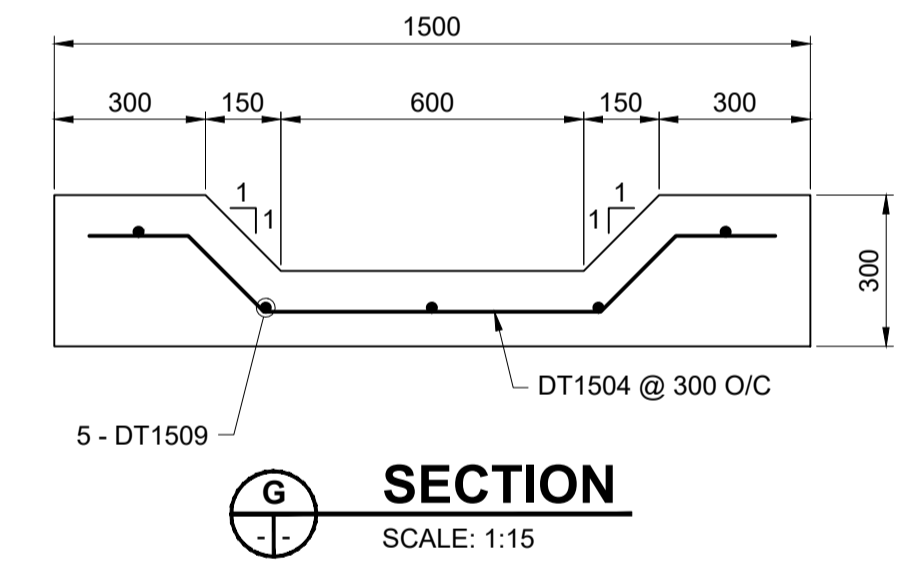
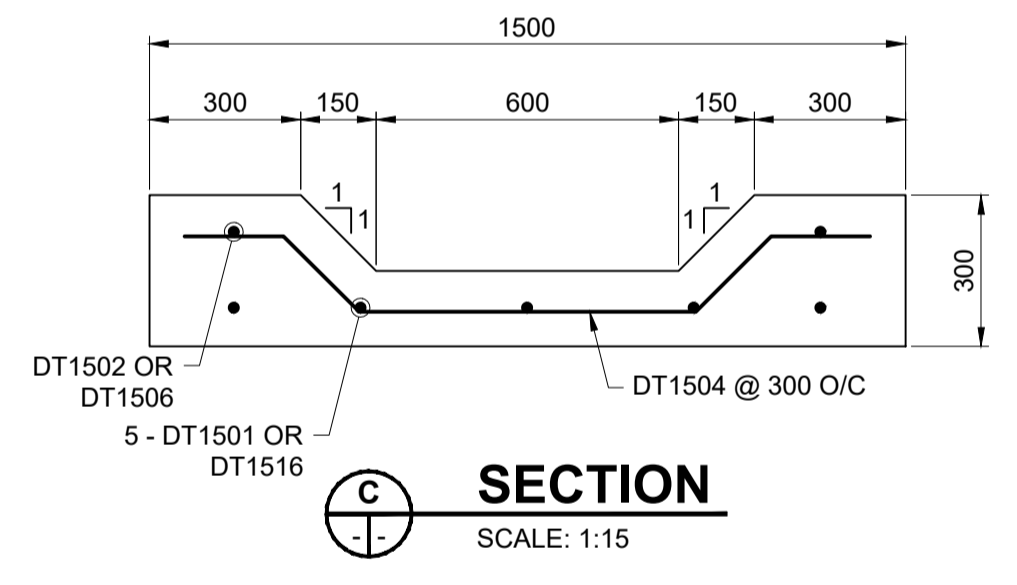
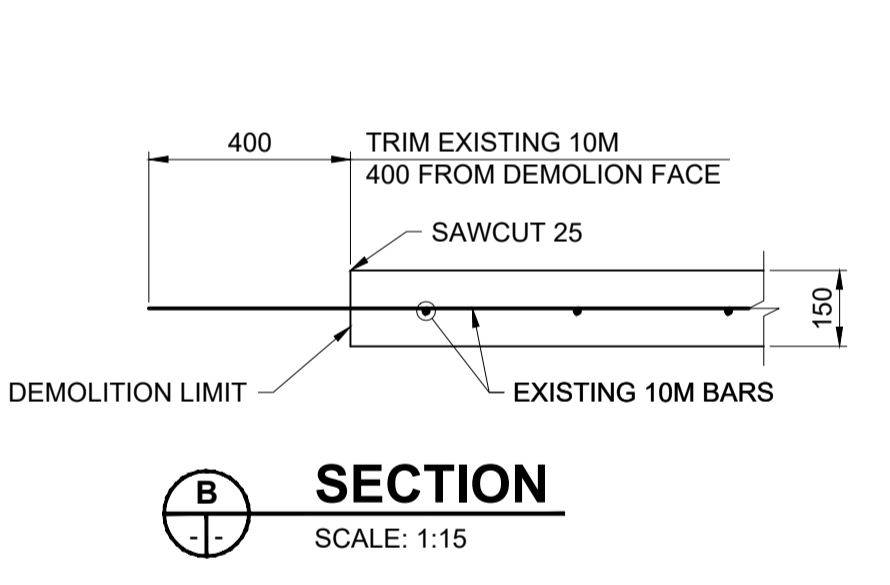
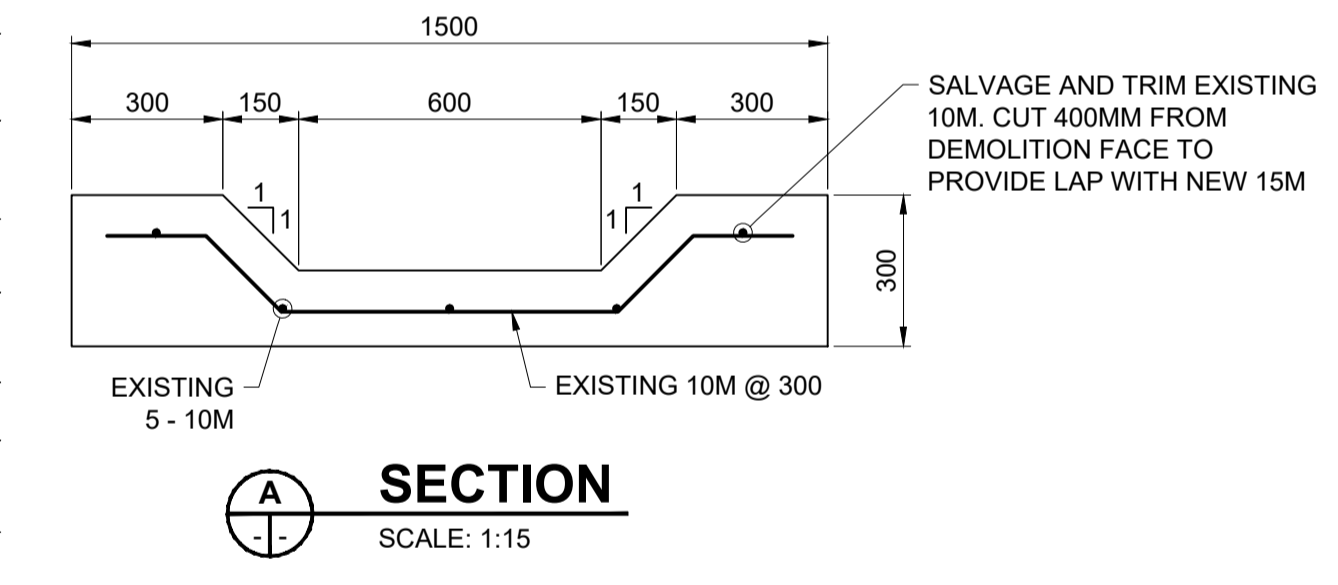
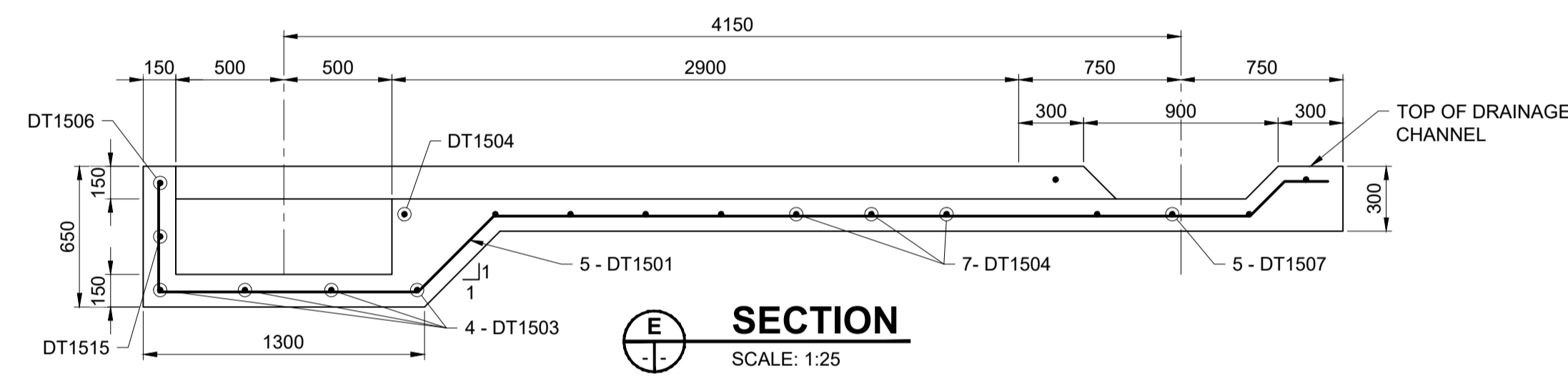
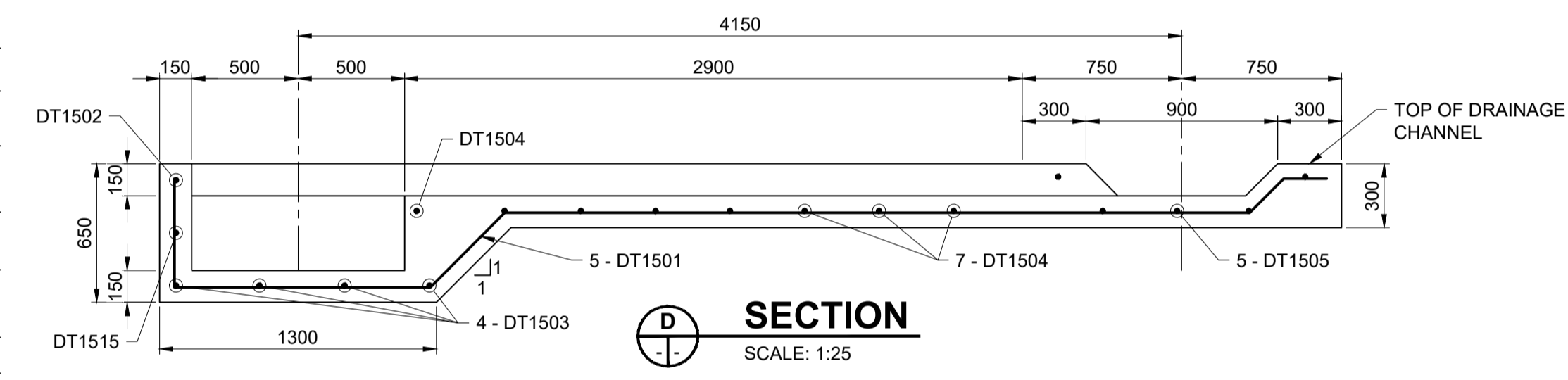


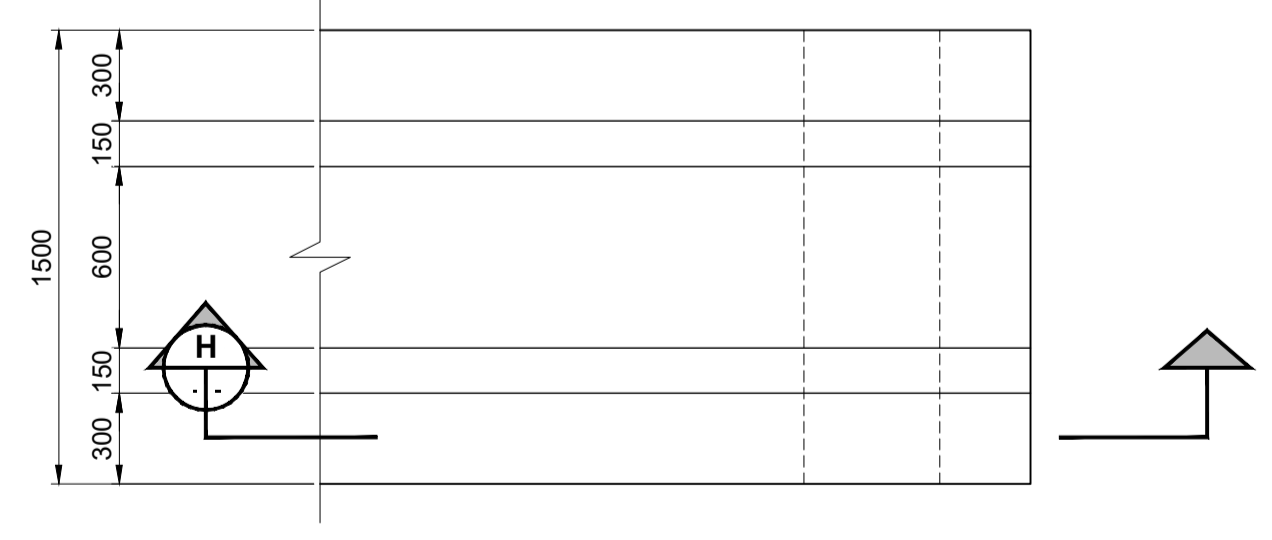
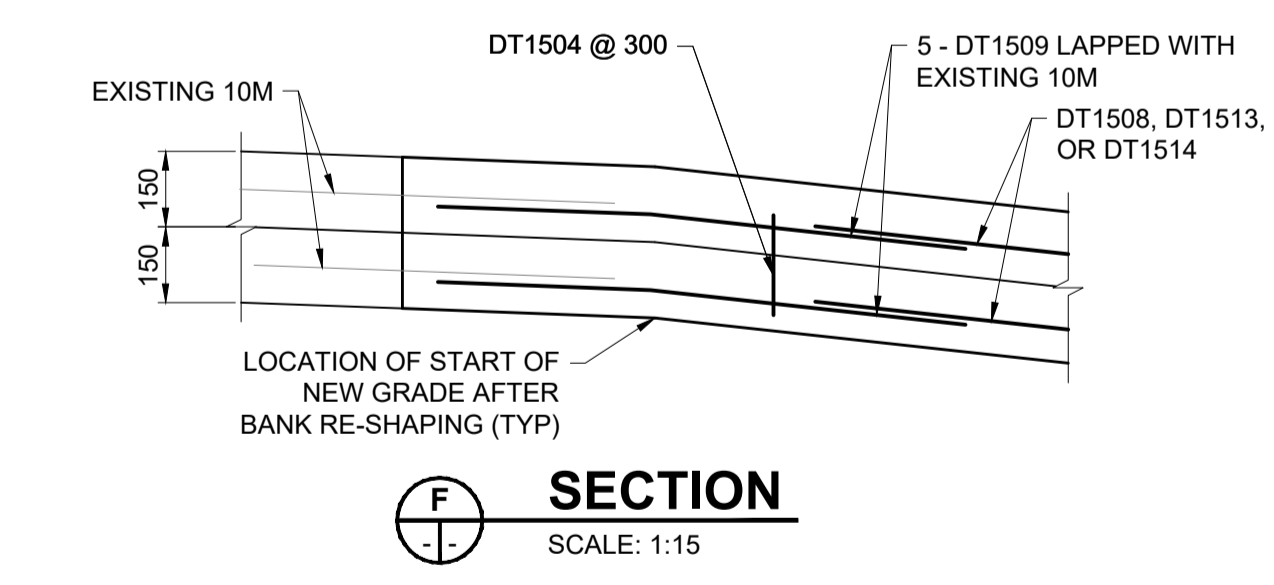
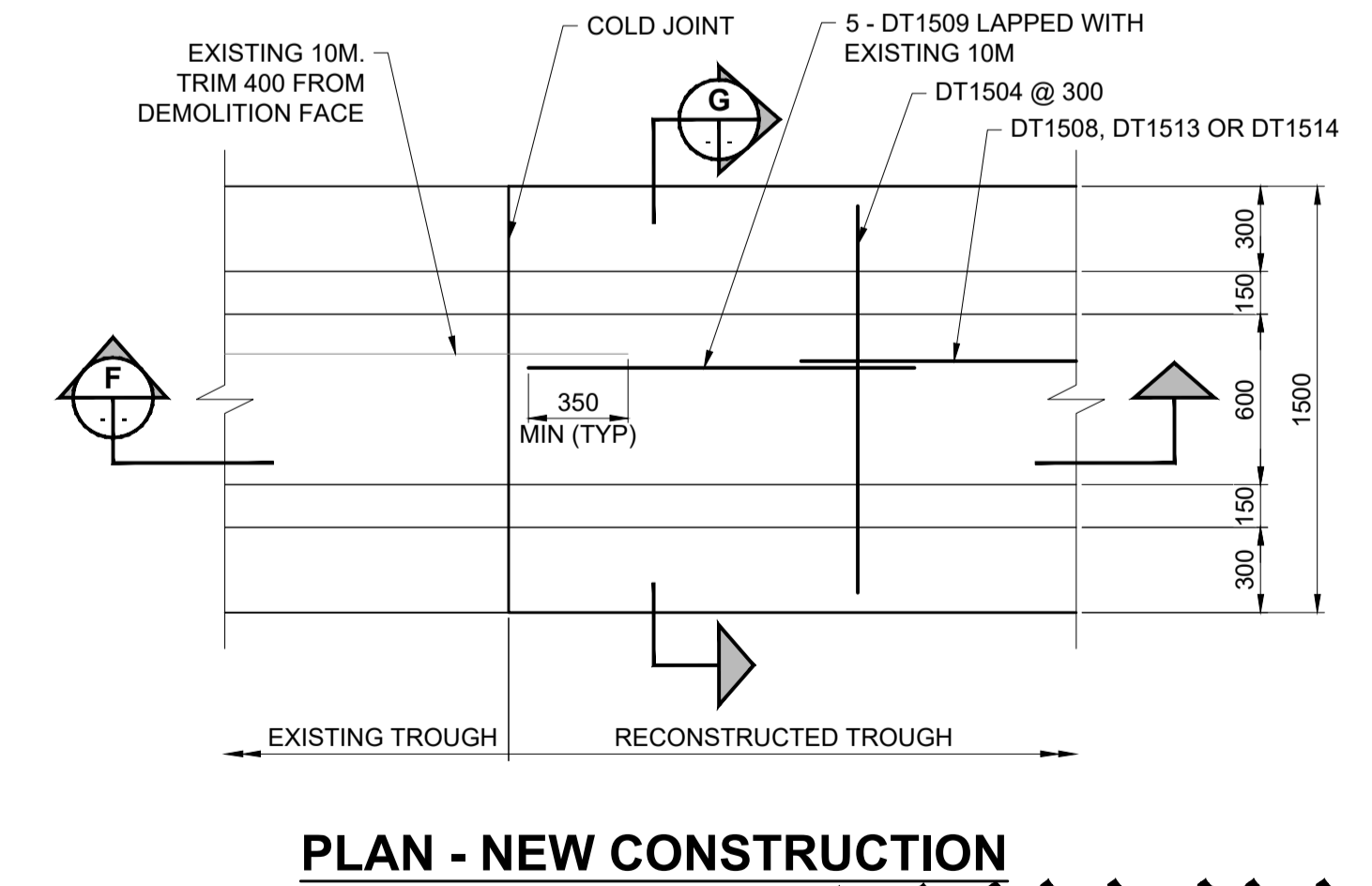
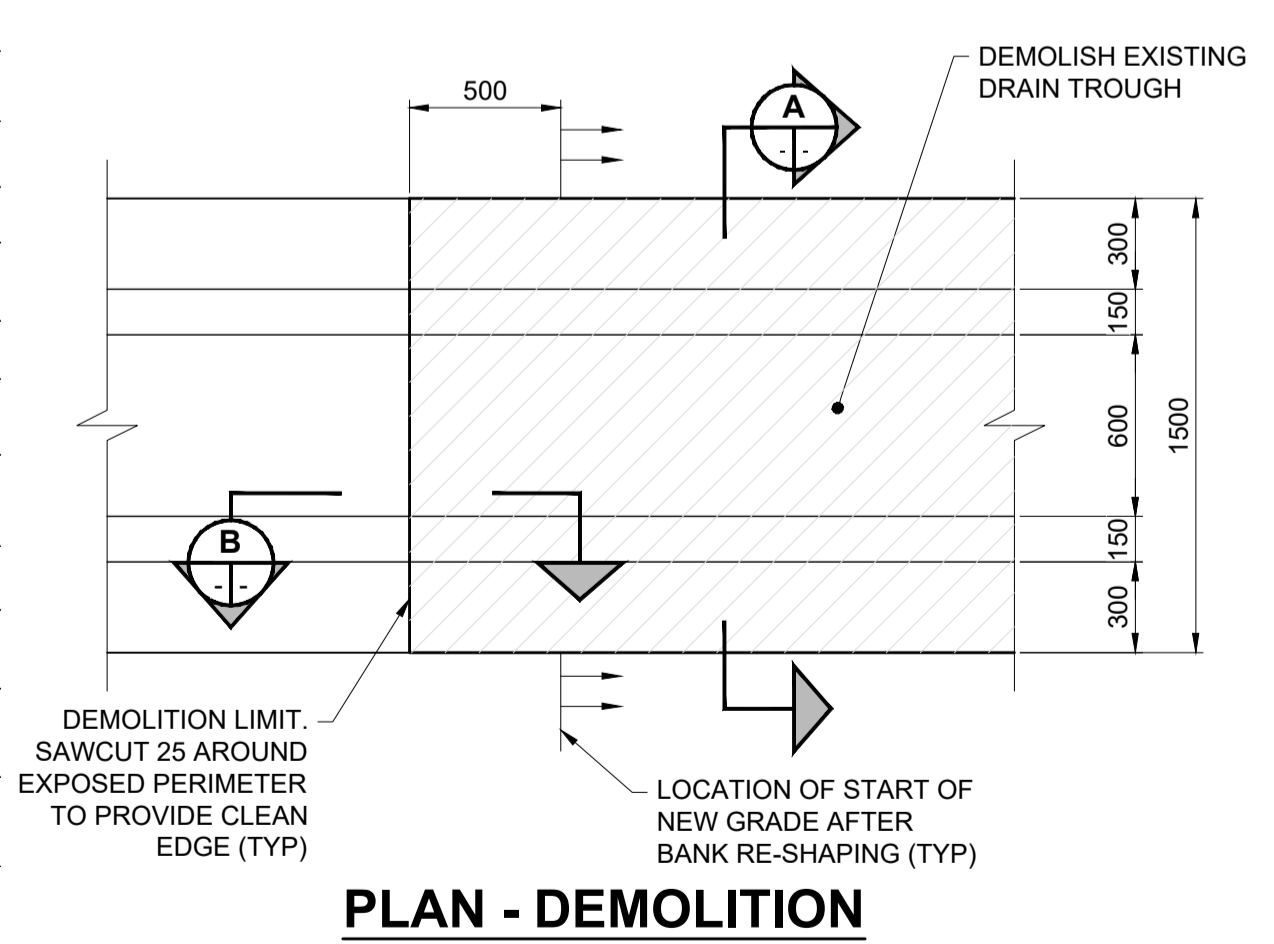
DETAIL "1"
SCALE: 1:50

DETAIL "2"
SCALE: 1:50

NOTE:
 1. FOR DRAINAGE TROUGH LEADS IN RECONSTRUCTED SECTIONS, BARS MARK DT1507 LAP WITH NEW 15M BARS.

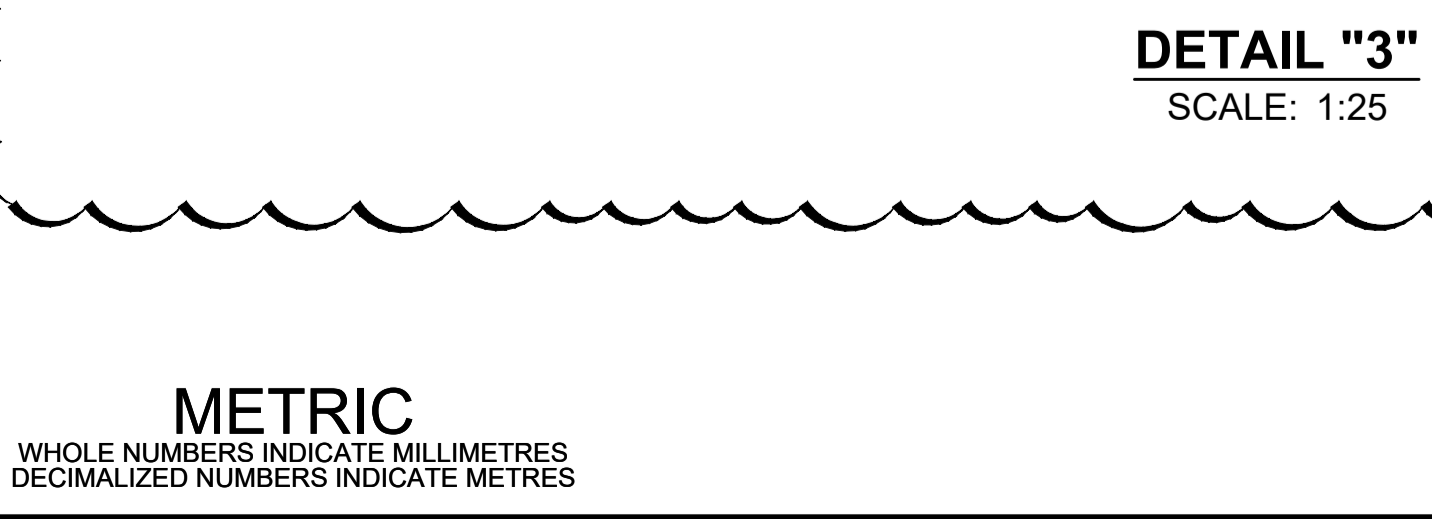


NOTES:
 1. FOR SOUTH DRAINAGE TROUGHS, BAR MK. DT1510-1 LAPS WITH BAR MK. DT1513.
 2. FOR NORTH DRAINAGE TROUGH BENEATH SOUTHBOUND CARRIAGEWAY, BAR MK. DT1510-2 LAPS WITH BAR MK. DT1514.
 3. FOR NORTH DRAINAGE TROUGH BENEATH NORTHBOUND CARRIAGEWAY, BAR MK. DT1510-3 LAPS WITH BAR MK. DT1518.



NOTES:
 1. REFER TO SHEET 93 FOR BANK GRADES AFTER RE-SHAPING.
 2. BARS MK. DT1509-1 AND DT1513 FOR SOUTH DRAINAGE TROUGH BENEATH NORTHBOUND LANES.
 3. BARS MK. DT1509-2 AND DT1513 FOR SOUTH DRAINAGE TROUGH BENEATH SOUTHBOUND LANES.
 4. BARS MK. DT1509-3 AND DT1508 FOR NORTH DRAINAGE TROUGHS BENEATH NORTHBOUND LANES.
 5. BARS MK. DT1509-4 AND DT1514 FOR NORTH DRAINAGE TROUGHS BENEATH SOUTHBOUND LANES.
 6. FOR DRAINAGE TROUGH LEADS AT EDGES OF SLOPE CHANGE IN RECONSTRUCTED SECTIONS, BARS MK. DT1507 SHALL BE USED ACROSS LEAD ENDS.

PLAN - NEW CONSTRUCTION
DETAIL "4"
SCALE: 1:25



LOCATION APPROVED UNDERGROUND STRUCTURES

SUPR. U/G STRUCTURES	DATE
COMMITTEE	

NOTE:
 LOCATION OF UNDERGROUND STRUCTURES AS SHOWN ARE BASED ON THE BEST INFORMATION AVAILABLE BUT NO GUARANTEE IS GIVEN THAT ALL EXISTING UTILITIES ARE SHOWN OR THAT THE GIVEN LOCATIONS ARE EXACT. CONFIRMATION OF EXISTENCE AND EXACT LOCATION OF ALL SERVICES MUST BE OBTAINED FROM THE INDIVIDUAL UTILITIES BEFORE PROCEEDING WITH CONSTRUCTION.

BM 54-006	Tilt. in S. face of E. Conc. pier in 1st row of Conc. piers
ELEV 228.166 m	N. of S. end of St. Vital Bridge over Red River,
	N. of Kingston Row, 5 m W. of E. end of Pier.

MORRISON HERSHFIELD

DESIGNED BY	BAP	CHECKED BY	BE
DRAWN BY	JH	APPROVED BY	BE
HOR SCALE	AS SHOWN	RELEASED FOR CONSTRUCTION	
VERT SCALE	AS SHOWN		
DATE	NOV 24, 2022	DATE	



THE CITY OF WINNIPEG
PUBLIC WORKS DEPARTMENT
ENGINEERING DIVISION

ST. VITAL TWIN BRIDGE OVER THE RED RIVER
REHABILITATION AND RELATED WORKS

BRIDGE REHABILITATION
DRAINAGE TROUGH MODIFICATION DETAILS 1 OF 2

CITY FILE NUMBER: B116-24-109
 SHEET OF: 195 OF 244
 DRAWING NUMBER: 195

TENDER No. 615-2022

METRIC
 WHOLE NUMBERS INDICATE MILLIMETRES
 DECIMALIZED NUMBERS INDICATE METRES