

A1 SIZE - 594mm x 841mm

PANEL ID: PNL-F73		AMPS: 100A	VOLTS: 120/240V	PHASE: 1Ø	WIRE: 3W	SURF. MOUNT <input checked="" type="checkbox"/>	TOP FED <input type="checkbox"/>						
DESCRIPTION: 120/240V DISTRIBUTION PANELBOARD		LOCATION: MAIN FLOOR		INTERRUPTING RATING: 14 kA									
MFC / MODEL: SQUARE D NF		INST. SETTINGS: N/A		SURF. MOUNT <input type="checkbox"/>									
MAIN BREAKER: 100A				BOT. FED <input checked="" type="checkbox"/>									
CCT.	DESCRIPTION	NOTE	WIRE (AWG)	BRKR AMPS	LOAD (VA)	L1	L2	LOAD (VA)	BRKR AMPS	WIRE (AWG)	NOTE	DESCRIPTION	CCT.
1	INTERIOR LIGHTING		12	15	1042			350	15	12		CONTROL PANEL CP-FB1	2
3	PHOTOCELL JUNCTION BOX, OUTDOOR LIGHTING		12	15	120			200	15	12		HVAC PANEL JBA-FB3	4
5	EMERGENCY LIGHTING BATTERY BANK		12	15	100			800	15	12	GFCI	SUMP PUMP RECEPTACLE	6
7	MAIN FLOOR RECEPTACLES		12	15	360			360	15	12	GFCI	DRY WELL RECEPTACLES	8
9	MAIN FLOOR RECEPTACLES		12	15	360			360	15	12	GFCI	DRY WELL RECEPTACLES	10
11	COMBINED SEWER OVERFLOW (CSO) PANEL		12	15	150			480	20	12	GFCI	OUTDOOR RECEPTACLES	12
13	SPARE							15				SPARE	14
15	SPARE							15				SPARE	16
17	SPARE							15				SPARE	18
19	SPARE							15				SPARE	20
21	SPARE							15				SPARE	22
23	SPARE							15				SPARE	24
25	SPARE							15				SPARE	26
27	SPACE											SPACE	28
29	SPACE											SPACE	30
31	SPACE											SPACE	32
33	SPACE											SPACE	34
35	SPACE											SPACE	36
37	SPACE											SPACE	38
39	SPACE											SPACE	40
41	SPACE											SPACE	42
TOTAL CONNECTED LOAD: 4.282 KVA		LINE 1: 2.132 KVA		17.76 A				LINE 2: 2.550 KVA		17.92 A			
NOTES:		NOTE LEGEND:		AFCI		ARC FAULT CIRCUIT INTERRUPTOR		GFCI		GROUND FAULT CIRCUIT INTERRUPTOR		LOCK	
1. ALL BREAKERS ARE SINGLE-POLE UNLESS OTHERWISE IDENTIFIED.													

LUMINAIRE SCHEDULE

TYPE	MANUFACTURER	MODEL	LAMPS		VOLTS	LOAD VA	MOUNTING	NOTE
			QTY	TYPE				
A	METALUX	4VT2-LD5-8-DR-UNV-L840-CD 1-WL-U	1	LED, 58W	120	58	AN	
E.X.	EATON CROUSE-HINDS	EVLEDBX2C701	1	LED, 43W	120	43	W	
EA	READY-LITE	NMMP-2-LD7	2	LED, 4W	12	8	W	1
W.P.	GARDCO	101L-16L-200-WW-G2-3-120 DD-BK	1	LED, 12W	120	12	AN	

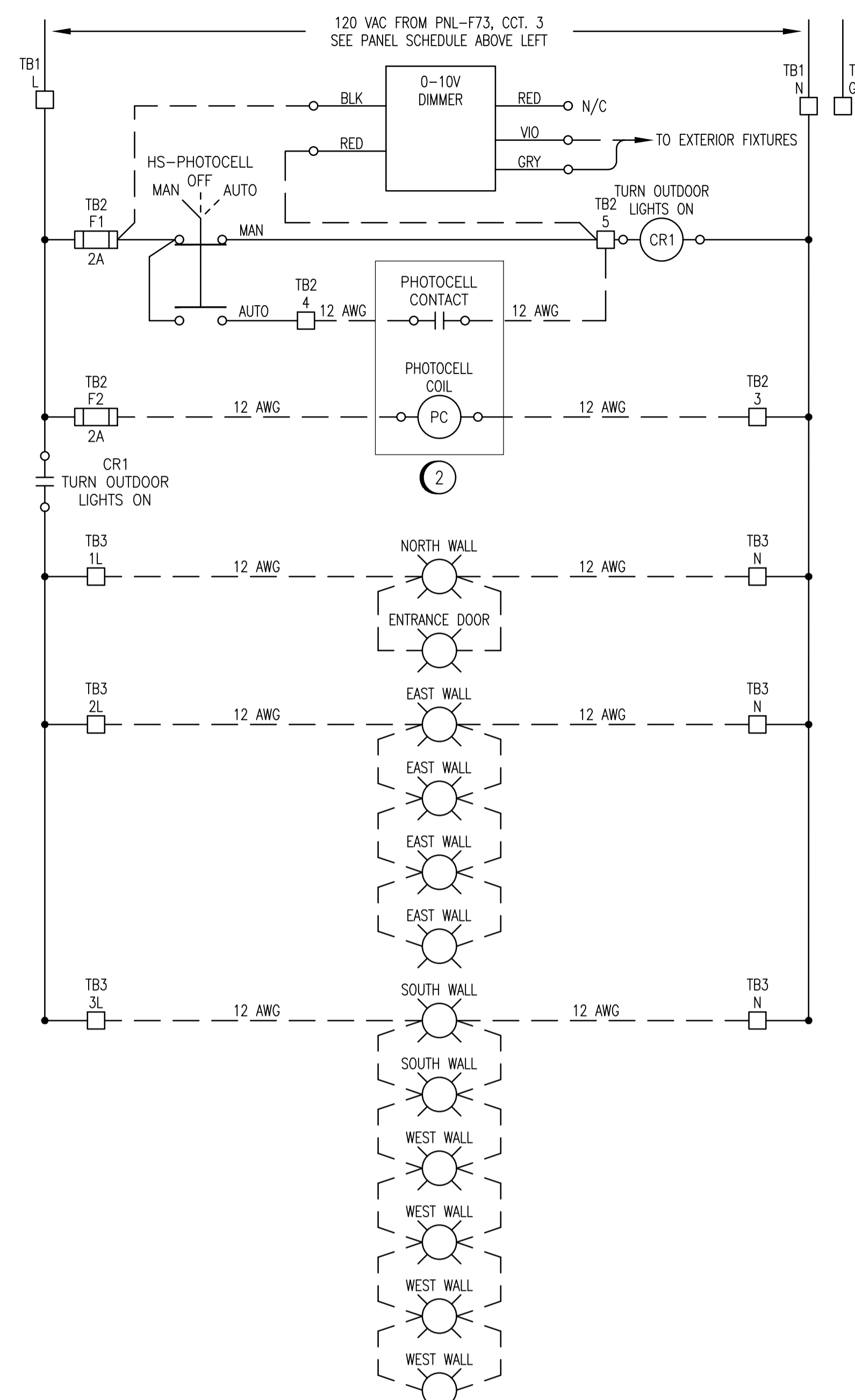
MOUNTING LEGEND:
 CH CHAIN HUNG
 CS CEILING SURFACE
 P PENDANT
 R RECESSED WALL
 W THREADED ROD AND CHANNEL
 TRC AS NOTED ON DRAWINGS
 AN AS NOTED ON DRAWINGS

NOTES:
 1. USE 12 AWG RW90 IN 21mm CONDUIT.

EMERGENCY LIGHTING BATTERY SCHEDULE

ID	MANUFACTURER	MODEL	INPUT		OUTPUT VOLTS	INTERNAL LAMPS		REMOTE FIXTURES		TOTAL LOAD (W)	DESIGN TIME	NOTE
			VOLTS	VA		QTY	TYPE	QTY	TOTAL REMOTE LOAD (W)			
ELB-F75	READY-LITE	LDX12-108NM2LD7	120	30	12	2	LED, 4W	3	24	32	>60 MIN.	1

NOTES:
 1. BATTERY RATED FOR 30 MIN. @ 108W.



PHOTOCELL LIGHTING SCHEMATIC

GENERAL NOTES:

- ALL EQUIPMENT AND CABLEING IS NEW UNLESS OTHERWISE INDICATED AS EXISTING.
- PROVIDE A TYPE WRITTEN PANEL DIRECTORY.

SPECIFIC NOTES:

- PROVIDE AND INSTALL PHOTOCELL JUNCTION BOX COMPLETE WITH RELAYS, HAND-OFF-AUTO SWITCH, AND TERMINAL BLOCKS AS SHOWN. HAND-OFF-AUTO SWITCH TO BE MOUNTED ON JUNCTION BOX DOOR. ALL INTERNAL AND EXTERNAL WIRING IS TO BE #12 AWG AND INSTALLED AS PER SCHEMATIC DIAGRAM SHOWN.
- PROVIDE AND INSTALL NEW OUTDOOR PHOTOCELL. RUN 4C #12 AWG RW90 IN 21mm CONDUIT TO CONNECT PHOTOCELL TO PHOTOCELL JUNCTION BOX.

LIGHTING CONTROL JUNCTION BOX MATERIAL LIST

ITEM	QTY	DESCRIPTION	MANUFACTURER	CATALOG NUMBER
1	1	SINGLE-DOOR TYPE 4 WALL-MOUNTED ENCLOSURE C/W BACKPAN	HOFFMAN	A1212CHNF, A12P12
2	1	3-POSITION SELECTOR SWITCH	SCHNEIDER	9001KS43B, 9001KA1
3	1	35mm DIN RAIL	PHOENIX CONTACT	0801733
4	AS REQ'D	FEED-THROUGH TERMINAL	PHOENIX CONTACT	3046184
5	AS REQ'D	FUSED TERMINAL	PHOENIX CONTACT	3046142
6	AS REQ'D	FUSE CONNECTOR	PHOENIX CONTACT	3036806
7	AS REQ'D	POTENTIAL EARTH TERMINAL	PHOENIX CONTACT	3046207
8	AS REQ'D	TERMINAL END PLATE	PHOENIX CONTACT	3047141
9	AS REQ'D	TERMINAL END CLAMP	PHOENIX CONTACT	1201442
10	AS REQ'D	PLUG-IN BRIDGE	PHOENIX CONTACT	3030365
11	AS REQ'D	TERMINAL BLOCK MARKER	PHOENIX CONTACT	1004348
12	AS REQ'D	RELAY, 120 VAC, SPDT, LED	OMRON	G2R-1-SN-AC120(S)
13	1	RELAY BASE, SPDT	OMRON	P2RF-05
14	1	0-10V DIMMER (MOUNTED EXTERNALLY)	LEVITON	IP710
15	1	LAMACOID, WHITE PLATE WITH BLACK TEXT	-	-

PHOTOCELL MATERIAL LIST

ITEM	QTY	DESCRIPTION	MANUFACTURER	CATALOG NUMBER
1	1	OUTDOOR PHOTOCELL	PRECISION	ST-15 SERIES



NO.	REVISIONS	DATE	DESIGN	CHECK
01	ISSUED FOR ADDENDUM 01	2023/03/23	MS	BC
00	ISSUED FOR CONSTRUCTION, TENDER 167-2023	2023/03/02	MS	BC

 148 Nature Park Way Winnipeg, MB, Canada R3P 0X7 204-786-8080		ENGINEER'S SEAL
DESIGNED BY: N. ESCHUK	CHECKED BY: B. CLEVEN	 THE CITY OF WINNIPEG WATER AND WASTE DEPARTMENT
DRAWN BY: B. WILKS	APPROVED BY: B. CLEVEN	
SCALE: N.T.S.	ISSUED FOR CONSTRUCTION By: K. ZUREK	BANNATYNE FLOOD PUMPING STATION 2023 UPGRADES ELECTRICAL SCHEDULES PANEL PNL-F73, LUMINAIRE AND EMERGENCY LIGHTING
DATE: 2022/06/29	DATE: 2023/03/02	
CONSULTANT NO.:		CITY DRAWING NUMBER
		1-0118F-E0012
		SHEET
		001
		REV.
		01
		SIZE
		A1

LAST SAVE: 2023/03/27 - 12:49pm
 PATH: \\winpdc1\proj\691232\HEVC\47\ELE\DD - General DWG\1-0118F-E0012-001_Rev01.dwg

1-0118F-E0006	ELECTRICAL PLAN LAYOUT MAIN FLOOR AND EXTERIOR
1-0118F-E0005	ELECTRICAL SINGLE LINE DIAGRAM
DRAWING NUMBER	REFERENCE DRAWINGS

1-0118F-E0012-001_Rev01.dwg