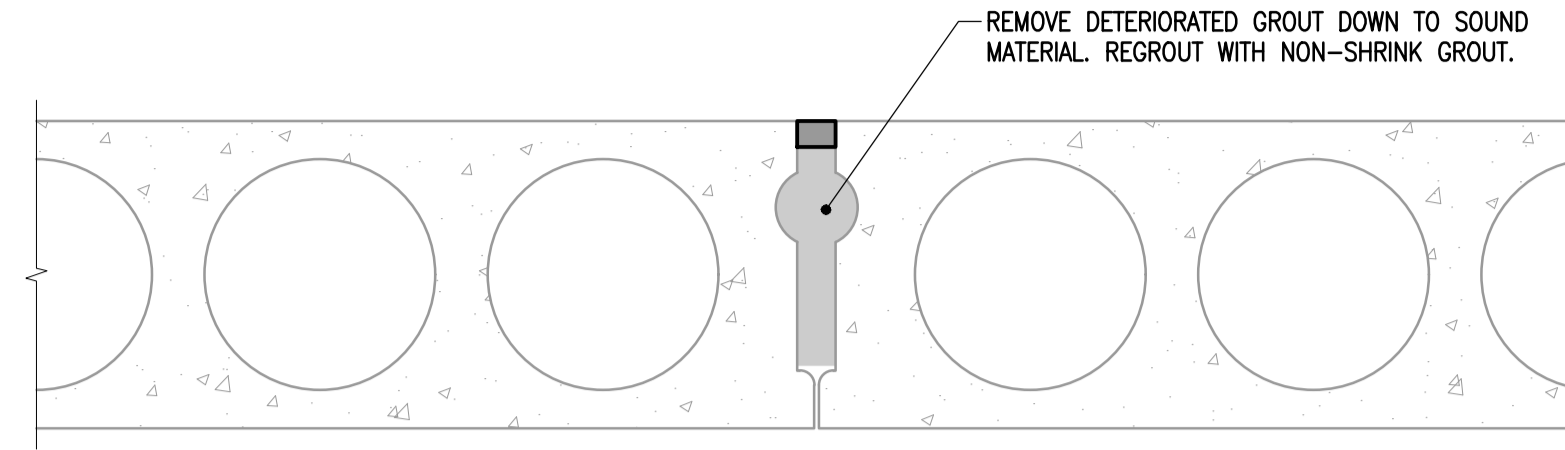
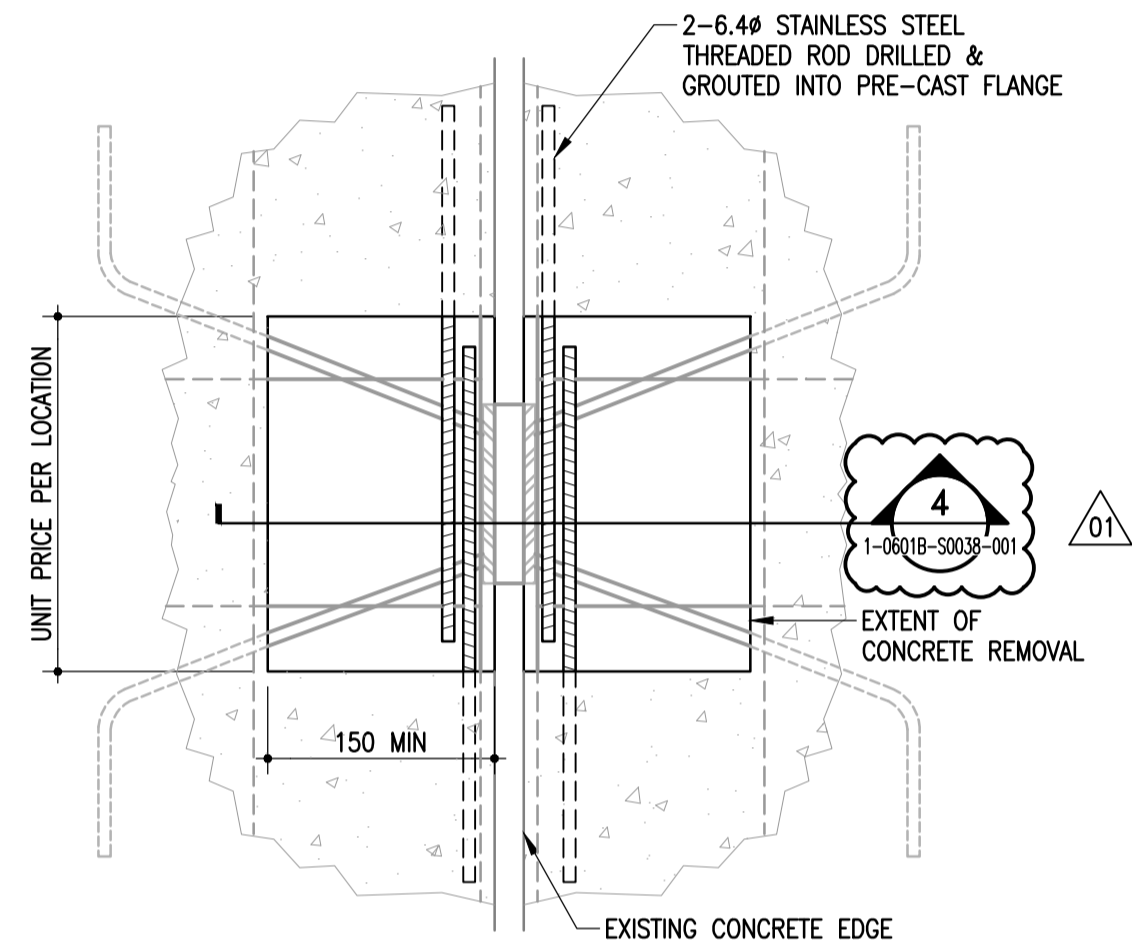
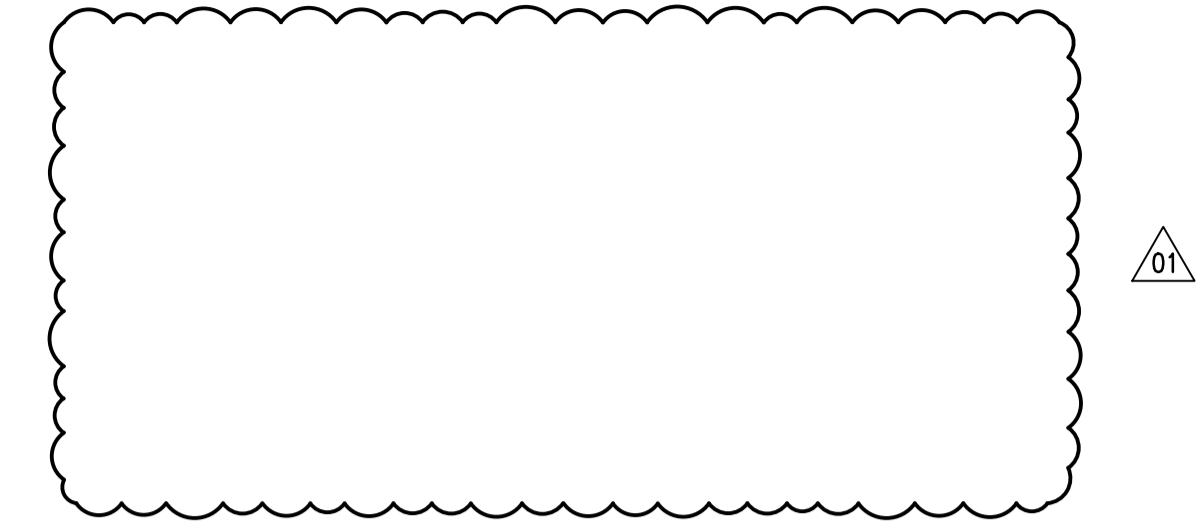


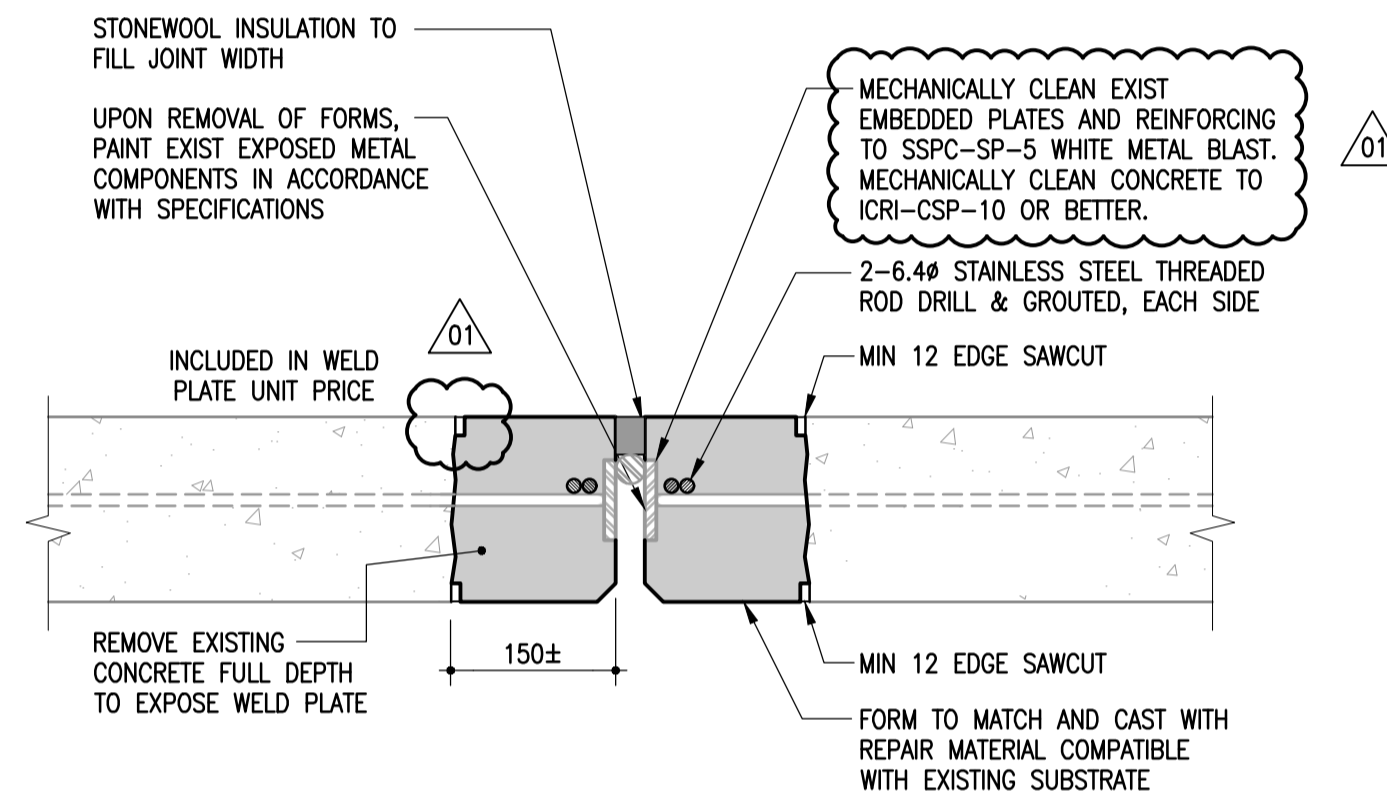
1 TYPICAL SCALING REPAIR DETAIL
 1-0601B-S0038-001 NTS (UNIT PRICE PER SQUARE METRE)



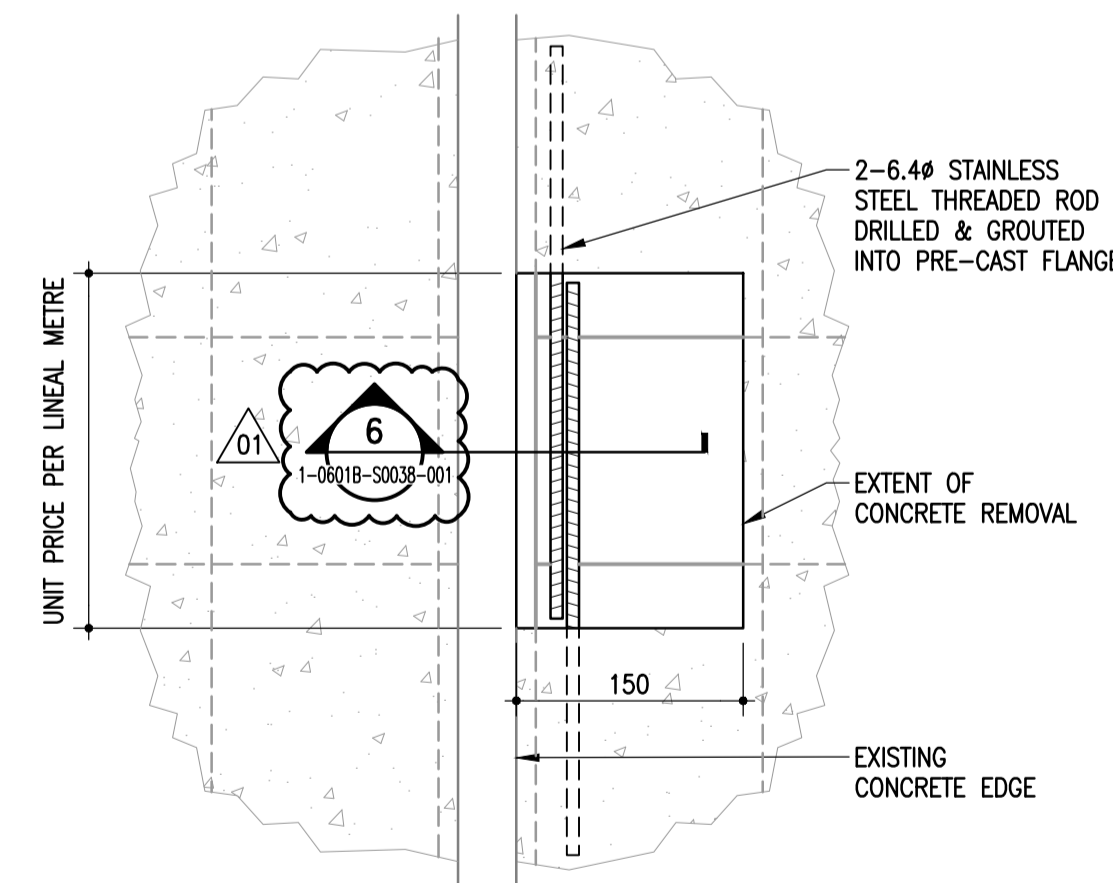
2 TYPICAL JOINT REPAIR AT HOLLOWCORE
 1-0601B-S0038-001 NTS (UNIT PRICE PER LINEAL METRE)



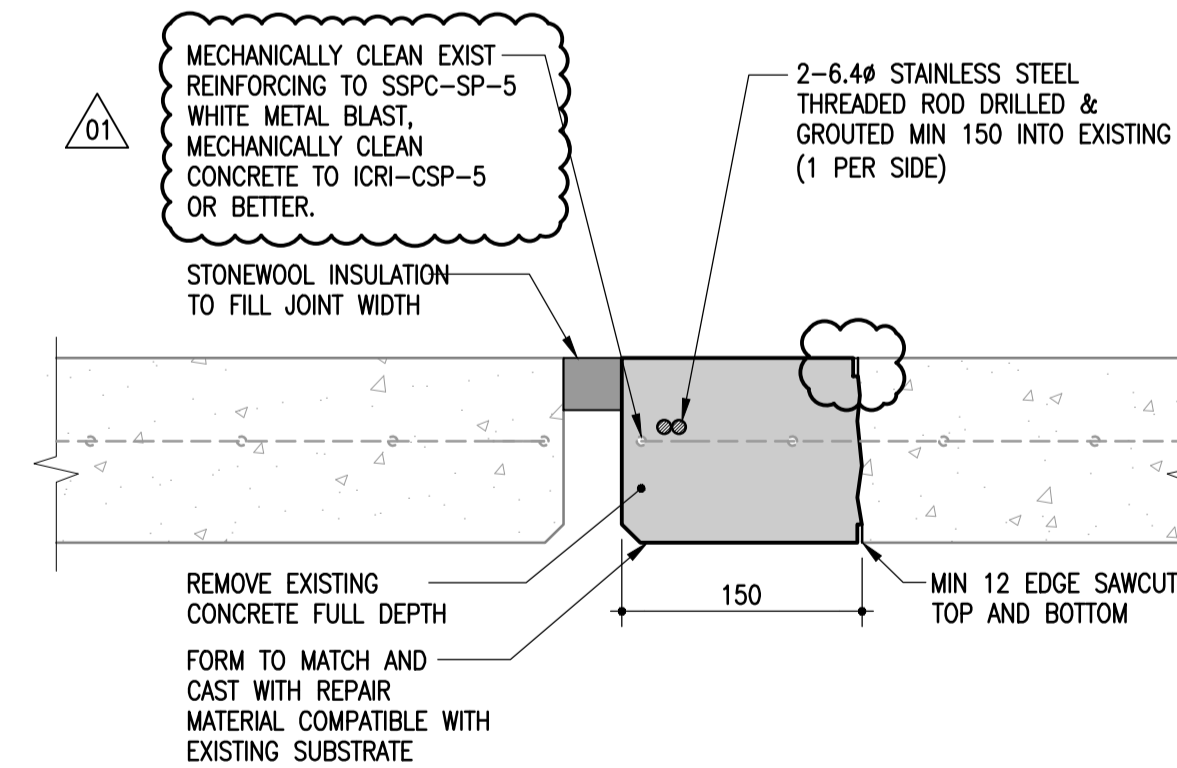
3 WELD PLATE PLAN DETAIL
 1-0601B-S0038-001 NTS (UNIT PRICE PER LOCATION, BOTH SIDES)



4 WELD PLATE SECTION
 1-0601B-S0038-001 NTS (UNIT PRICE PER LOCATION)



5 FLANGE EDGE REPAIR PLAN DETAIL
 1-0601B-S0038-001 NTS (UNIT PRICE PER LINEAL METRE)



6 FLANGE EDGE REPAIR SECTION
 1-0601B-S0038-001 NTS (UNIT PRICE PER LINEAL METRE)

10		
9		
8		
7		
6		
5		
4		
3		
2	1-0601B-B0064-001	WF, WR, WO & WC ROOF DEMOLITION PLAN
1	1-0601B-G0004-001	BUILDING NOTES, SCHEDULE & LEGENDS
NO.	DRAWING NUMBER	REFERENCE DRAWING TITLE
REFERENCE DRAWINGS		

 ENGINEERS GEOSCIENTISTS MANITOBA Certificate of Authorization Crosier Kilgour & Partners Ltd. No. 235	B.M. ELEV.									
	300-275 Carlton Street Winnipeg, Manitoba R3C 5R6 T 204. 943. 7501 F 204. 943. 7507 2022-1008				 Crosier Kilgour & Partners Ltd. CONSULTING STRUCTURAL ENGINEERS		ENGINEER'S SEAL ORIGINAL DRAWING SEALED BY JOHN WELLS AND DATED 2023-03-21			 THE CITY OF WINNIPEG WATER AND WASTE DEPARTMENT ENGINEERING DIVISION
	DESIGNED BY	GJH	CHECKED BY	JAW	DRINKING WATER TREATMENT PLANT MAIN BUILDING ROOF REPLACEMENT		CITY FILE NUMBER W-1049			
	DRAWN BY	LOL	APPROVED BY	GJH			SHEET 1 OF 1			
SCALE:	NTS	RELEASED FOR CONSTRUCTION BY:		STRUCTURAL REINFORCED CONCRETE REPAIR DETAILS		CITY DRAWING NUMBER 1-0601B-S0038-001				
NO. REVISIONS		DATE	2023/04/13			CONSULTANT DRAWING NO. S5.1				