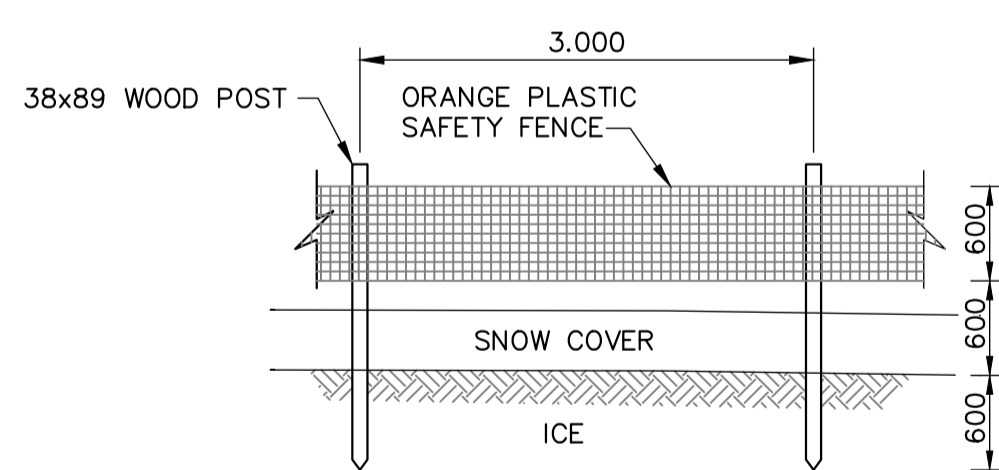
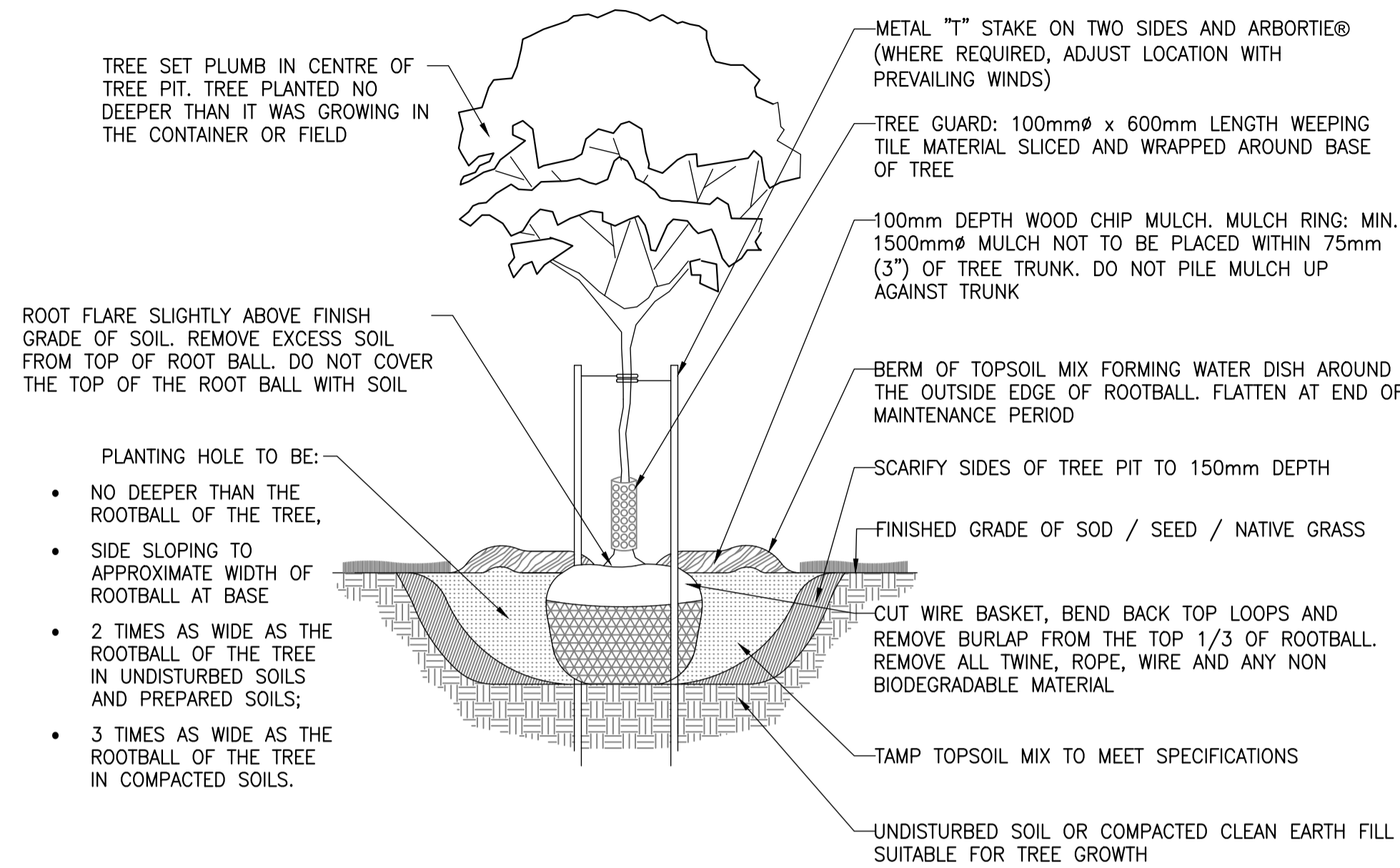


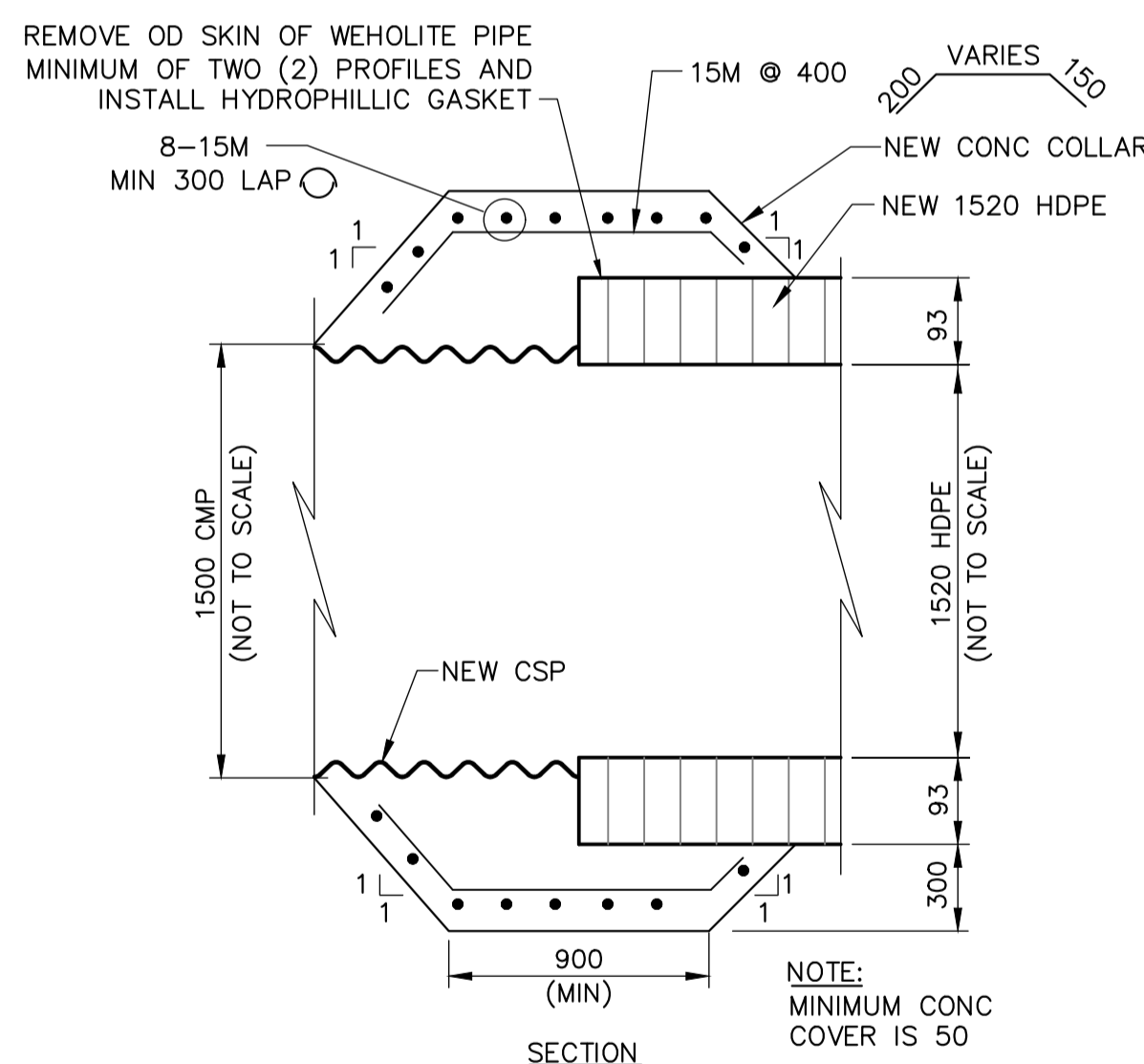
ANGLED CONCRETE COLLAR DETAIL
SCALE: N.T.S.



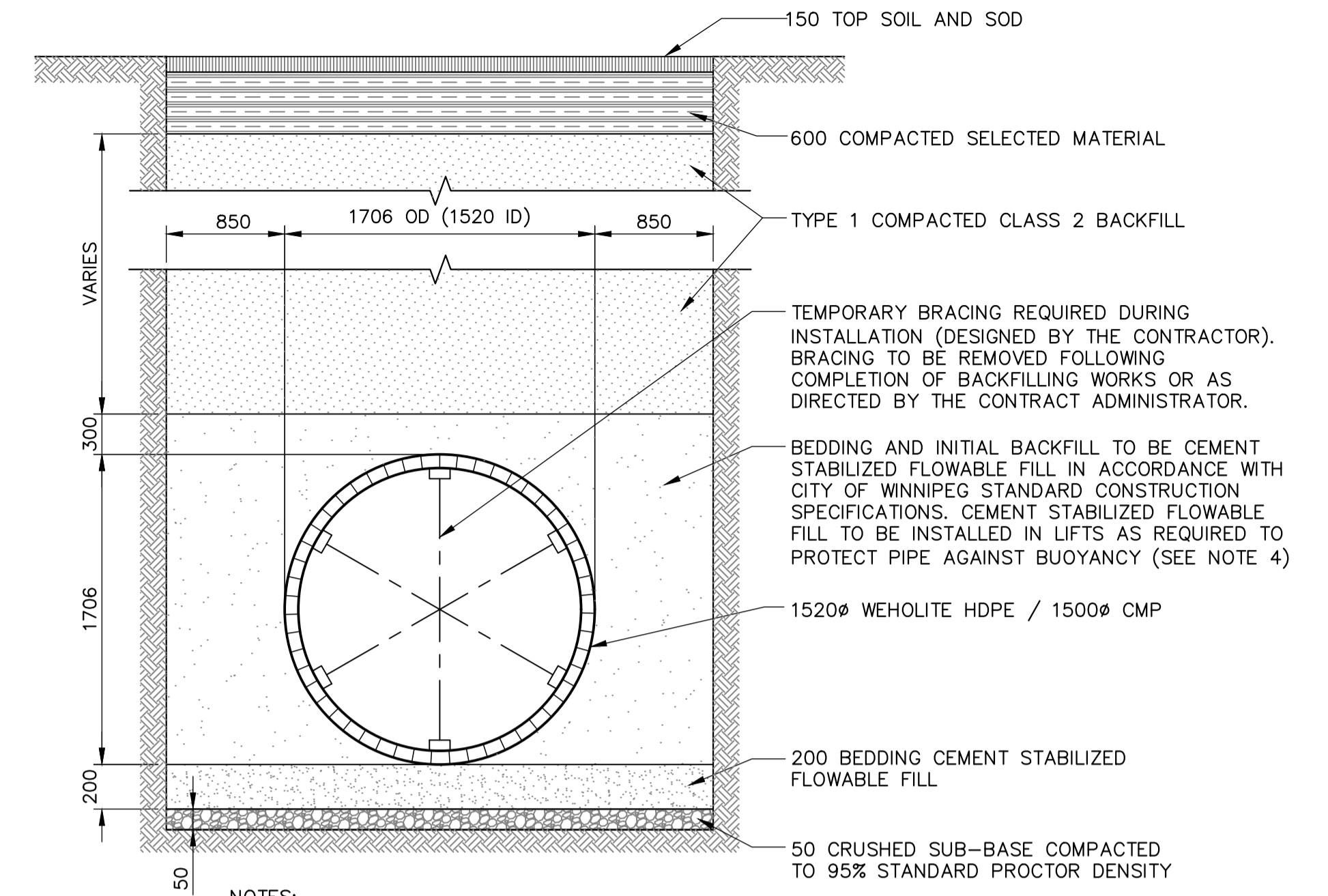
SAFETY FENCE DETAIL
SCALE: N.T.S.



TYPICAL DECIDUOUS TREE PLANTING DETAIL
SCALE: N.T.S.



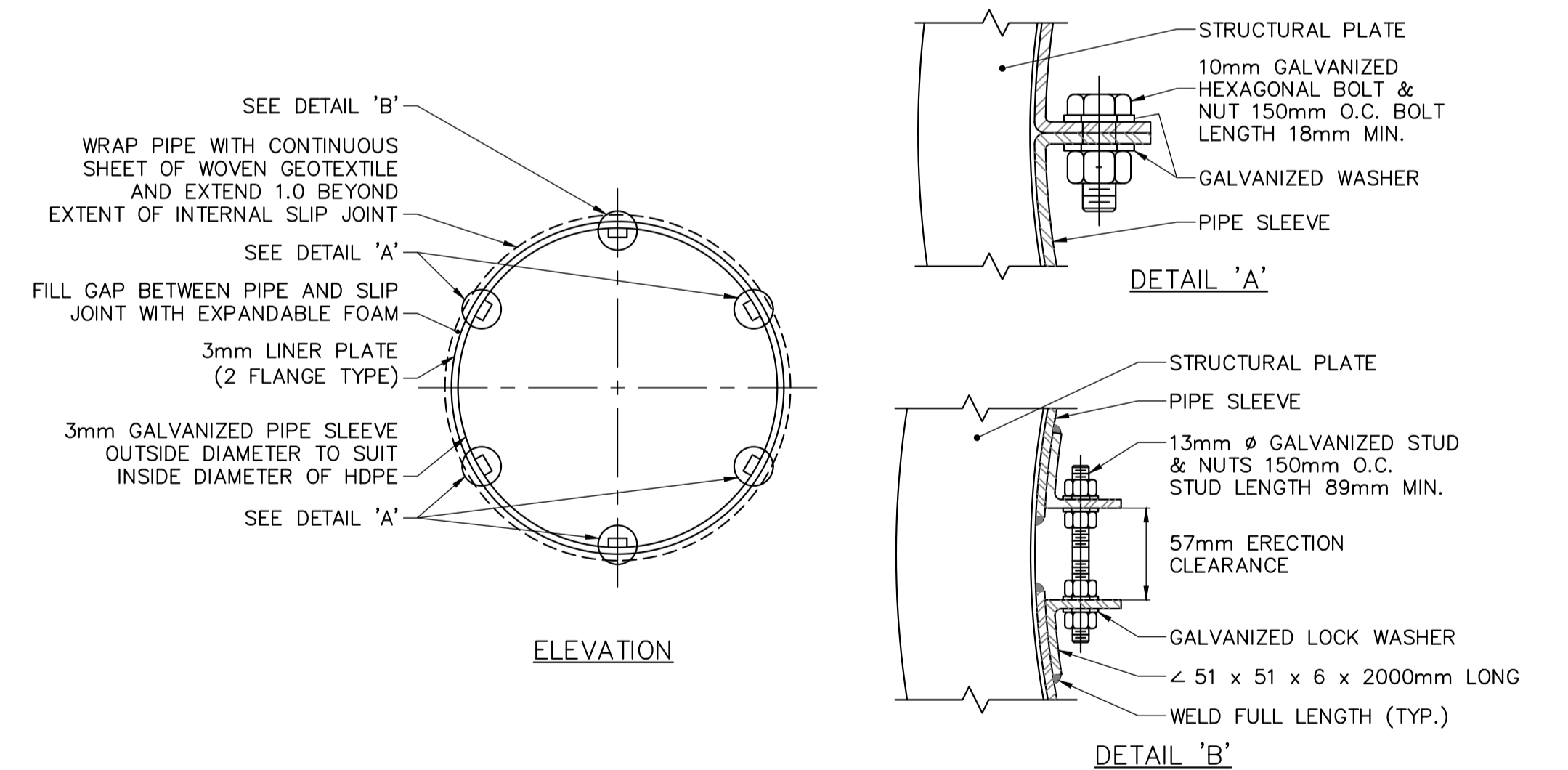
CONCRETE COLLAR DETAIL
SCALE: N.T.S.



NOTES:

- NO STOCKPILING OF MATERIAL WITHIN 107.0 OF (A.S.R.L.). ALL EXCAVATED MATERIAL TO BE REMOVED FROM SITE.
- CONTRACTOR TO PROVIDE TEMPORARY SHORING WHERE REQUIRED IN ACCORDANCE WITH SPECIFICATIONS.
- CONTRACTOR TO PROVIDE HEATING AND HOARDING AS REQUIRED IN ACCORDANCE WITH CITY OF WINNIPEG SPECIFICATIONS.
- CONTRACTOR TO PROVIDE TEMPORARY BRACING AND INSTALL CEMENT STABILIZED FLOWABLE FILL BEDDING AND INITIAL BACKFILL IN LIFTS AS REQUIRED TO PROTECT PIPE FROM BUOYANCY. CONTRACTOR TO SUBMIT PIPE BUOYANCY PLAN TO THE CONTRACT ADMINISTRATOR A MINIMUM OF FIVE (5) DAYS PRIOR TO BACKFILLING WORKS. REFERENCE E15 IN THE CONTRACT DOCUMENTS.

PIPE BACKFILL DETAIL
SCALE: N.T.S.



INTERNAL SLIP JOINT DETAIL
SCALE: N.T.S.



WARNING
IF POWER EQUIPMENT OR EXPLOSIVES ARE TO BE USED FOR EXCAVATION ON THIS PROJECT THE CONTRACTOR MUST:
1) NOTIFY THE GAS COMPANY OF THE PROPOSED LOCATION OF EXCAVATION.
2) TAKE PRECAUTION TO AVOID DAMAGE TO GAS COMPANY INSTALLATIONS.
SEE PROVINCIAL REGULATION 210/72 FOR DETAILS

LOCATION APPROVED
UNDERGROUND STRUCTURES
SUPV. U/G STRUCTURES COMMITTEE DATE
NOTE:
LOCATION OF UNDERGROUND STRUCTURES AS SHOWN ARE BASED ON THE BEST INFORMATION AVAILABLE BUT NO GUARANTEE IS GIVEN THAT ALL EXISTING UTILITIES ARE SHOWN OR THAT THE GIVEN LOCATIONS ARE EXACT. CONFIRMATION OF EXISTENCE AND EXACT LOCATION OF ALL SERVICES MUST BE OBTAINED FROM THE INDIVIDUAL UTILITIES BEFORE PROCEEDING WITH CONSTRUCTION.

B.M. ELEV.	NO.	REVISIONS	DATE	BY
	1	ISSUED WITH ADDENDUM 2	2023 12 04	
	0	ISSUED FOR TENDER	2023 11 20	RBO

KGS GROUP		DESIGNED BY: NGV	CHECKED BY: RBO
		DRAWN BY: GEL	APPROVED BY: RBO
SCALE: HORIZONTAL AS NOTED VERTICAL NA		DATE: 2023 12 04	DATE:

ENGINEER'S SEAL
CONSULTANT DRAWING NUMBER
1-03030-C0078-001

THE CITY OF WINNIPEG
WATER AND WASTE DEPARTMENT
ENGINEERING DIVISION
2023 OUTFALL PROGRAM
RIVERGATE DRIVE OUTFALL REHABILITATION
MISCELLANEOUS DETAILS
SHEET 1

SHEET 4 OF 5
CITY DRAWING NUMBER
1-03030-C0078-001

METRIC
WHOLE NUMBERS INDICATE MILLIMETRES
DECIMALIZED NUMBERS INDICATE METRES

FOR INDEX PAGE SEE DWG
1-03030-D0015-001