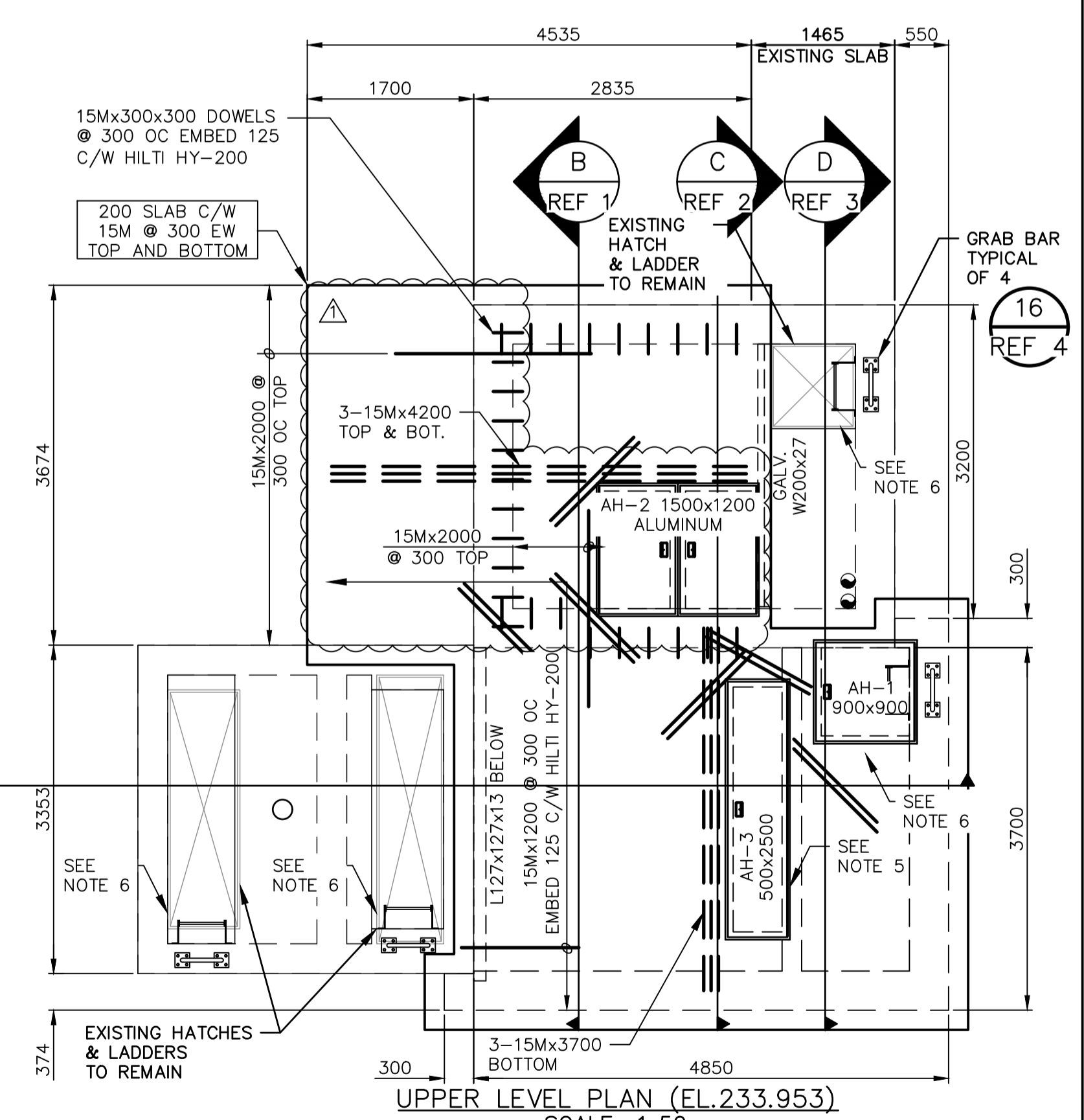
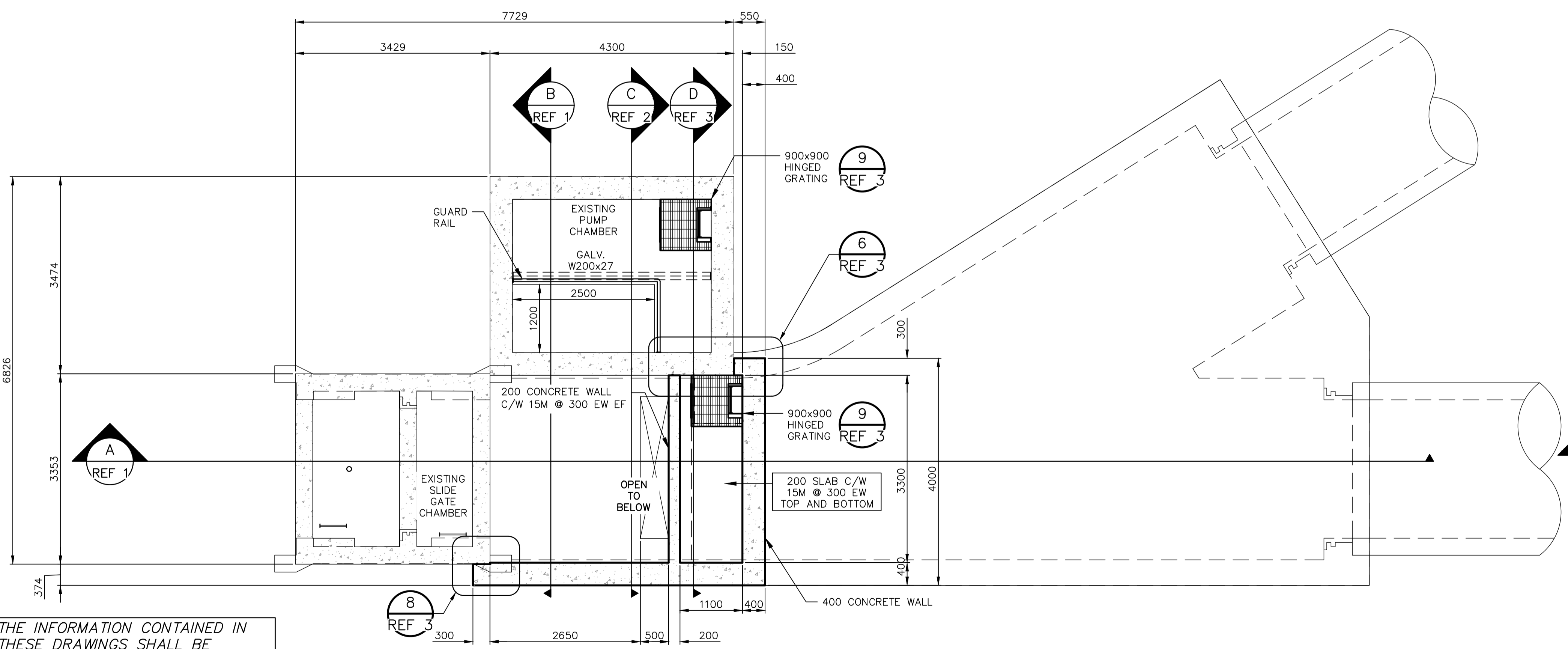
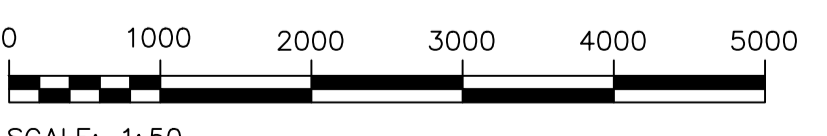


- NOTES:**
1. TOP SLAB DESIGN LOAD: 4.8 kPa.
 2. PROVIDE 20 CHAMFER ON ALL EXPOSED CONCRETE EDGES.
 3. CONTRACTOR TO REMOVE ALL DIRT AND DEBRIS AND POWER WASH PRIOR TO POURS AGAINST EXISTING STRUCTURE.
 4. VOLCLAY RX-101 WATERSTOP REQUIRED AT ALL CONCRETE POURS AGAINST EXISTING STRUCTURES.
 5. HATCH OPENING TO BE 2500 CLEAR. INSIDE DIMENSION OF HATCH TO ALLOW REMOVAL AND INSTALLATION OF FLAP GATE.
 6. CONFINED SPACE ENTRY SIGN AT THE TOP OF THE STAIRS.
 7. ALL ELEVATIONS ARE IN METERS AND ALL DIMENSIONS ARE IN MILLIMETRES UNLESS NOTED OTHERWISE.
 8. CONTRACTOR TO FIELD VERIFY ALL DIMENSIONS. NOTE ANY DISCREPANCIES TO ENGINEER PRIOR TO CONSTRUCTION OR FABRICATION.



THE INFORMATION CONTAINED IN THESE DRAWINGS SHALL BE ORIENTED IN THE SAME DATUM AS THE GIS, NAD 1983 JUNE 1990.

NO.	DRAWING NUMBER	REFERENCE DRAWING TITLE
10		
9		
8		
7		
6		
5		
4	1-0240G-S007-001	STRUCTURAL DETAILS
3	1-0240G-S005-001	STRUCTURAL DETAILS
2	1-0240G-S004-001	STRUCTURAL SECTIONS
1	1-0240G-S003-001	STRUCTURAL SECTIONS
NO.	DRAWING NUMBER	REFERENCE DRAWING TITLE
		REFERENCE DRAWINGS



METRIC
WHOLE NUMBERS INDICATE MILLIMETRES
DECIMALIZED NUMBERS INDICATE METRES
UNLESS OTHERWISE NOTED

ENGINEERS
GEOSCIENTISTS
MANITOBA
Certificate of Authorization
MPE, A DIVISION OF
ENGLUBE CORP.
No. 4968

B.M. ELEV.				
1	ISSUED FOR ADDENDUM 03	2024.04.02		
0	ISSUED FOR CONSTRUCTION	2024.03.18		
NO.	REVISIONS	DATE	BY	

MPE
a division of Englobe

DESIGNED BY: M. BAKER
CHECKED BY:
DRAWN BY: D. MCMILLAN
APPROVED BY:
SCALE: AS SHOWN
HORIZONTAL
VERTICAL
DATE: 2024-04-02
RELEASED FOR CONSTRUCTION
DATE:

PROVINCE OF MANITOBA
M.J. BAKER
Member
43540
REGISTERED PROFESSIONAL ENGINEER
APRIL 3, 2024
CONSULTANT DRAWING NUMBER

THE CITY OF WINNIPEG
WATER AND WASTE DEPARTMENT
ENGINEERING DIVISION

Renfrew Outfall Gate Chamber
2024 UPGRADES
STRUCTURAL PLANS

CITY DRAWING NUMBER: 1-0240G-S002-001-R1
SHEET 5 OF 41

FILE PATH: M:\N-Data\84\00 City of Winnipeg\006 - Renfrew Outfall Gate Chamber Upgrades\AutoDesk\ACAD\
FILE NAME: S2.2 - S2.3 Plans.dwg

BID OPPORTUNITY: --

PLOT DATE: 2024 04 02