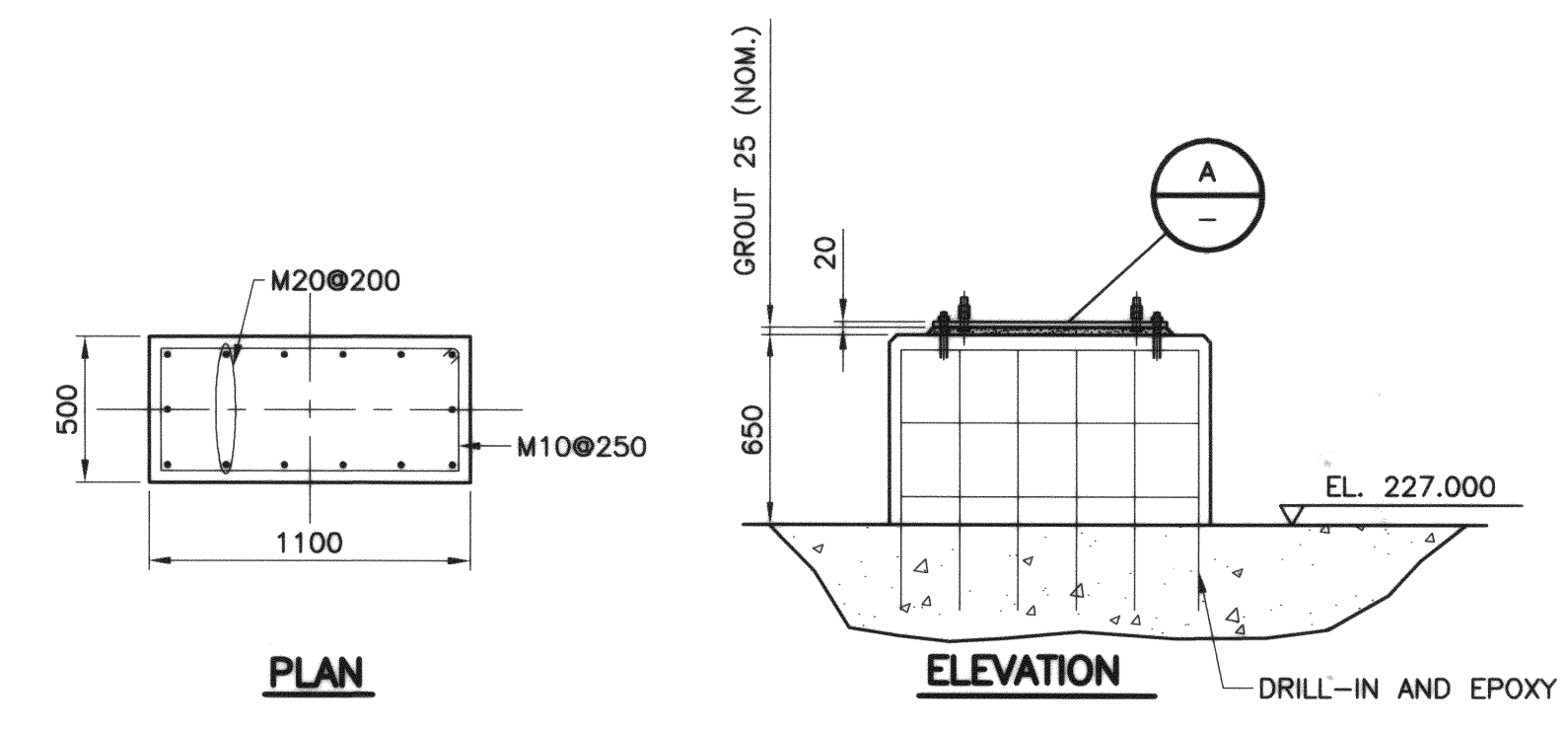
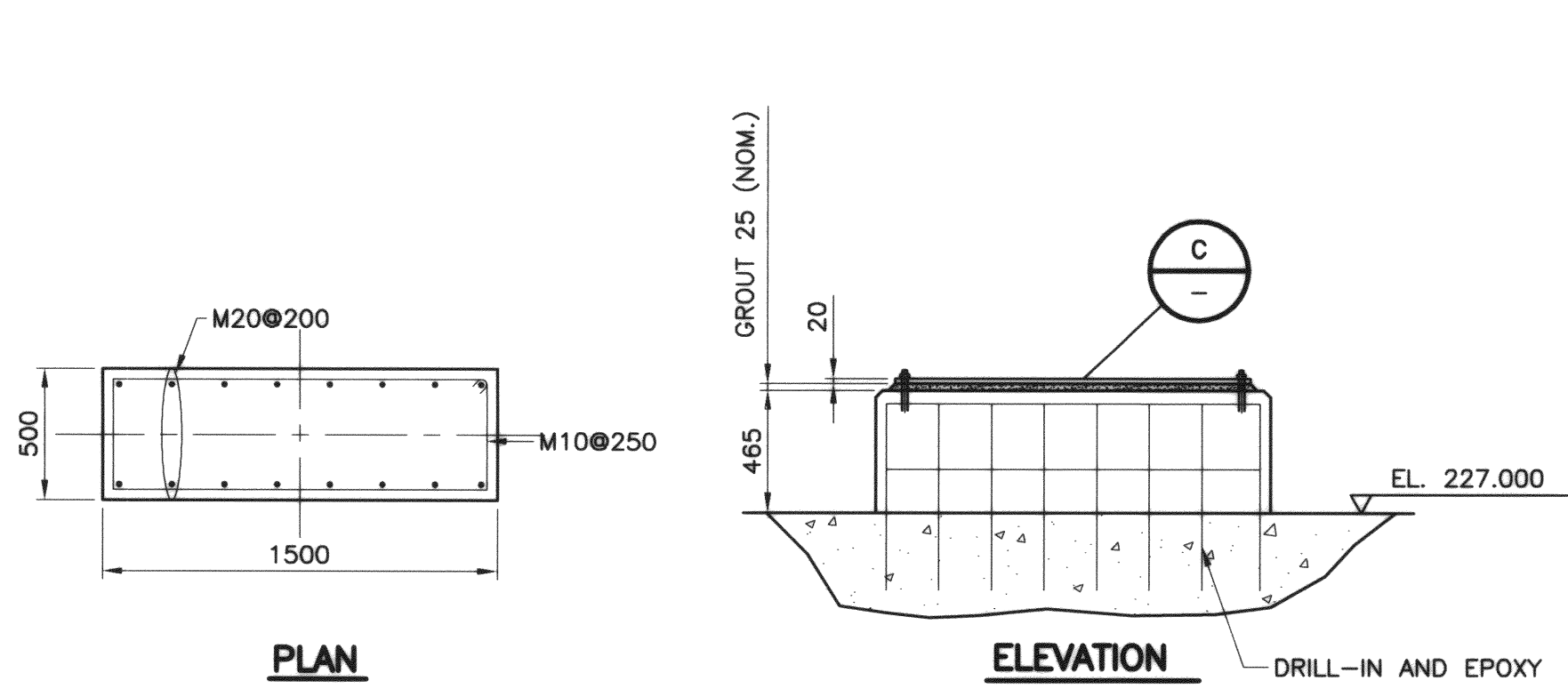


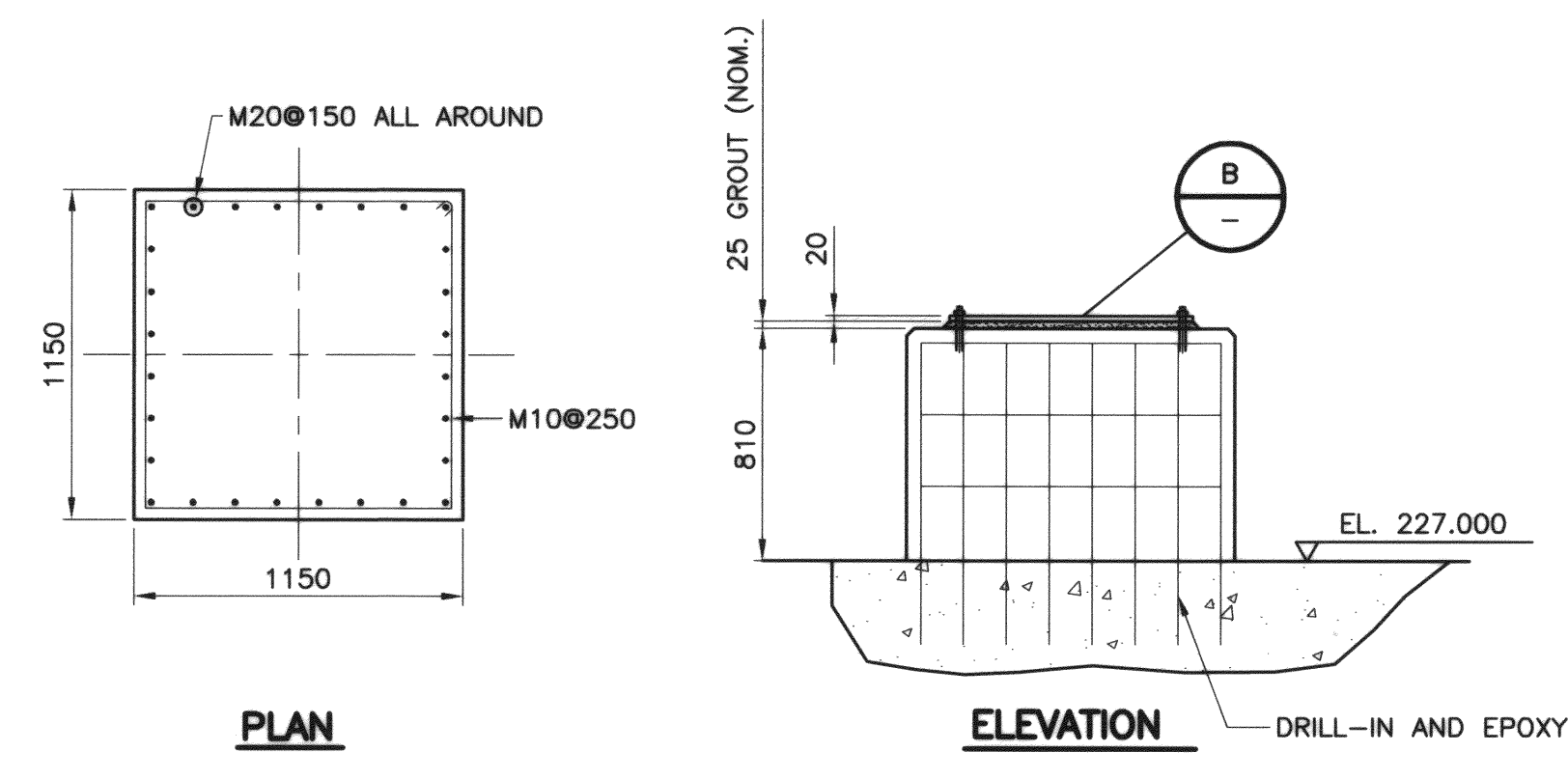
P:\121979 - WINNIPEG\A\DR\ACTING MECH - STRUCT\CS02.DWG - DEC/15/2003 4:37 p.m. LAYOUT: Layout1 USER: toth
 SHEET CS-01-01/0001



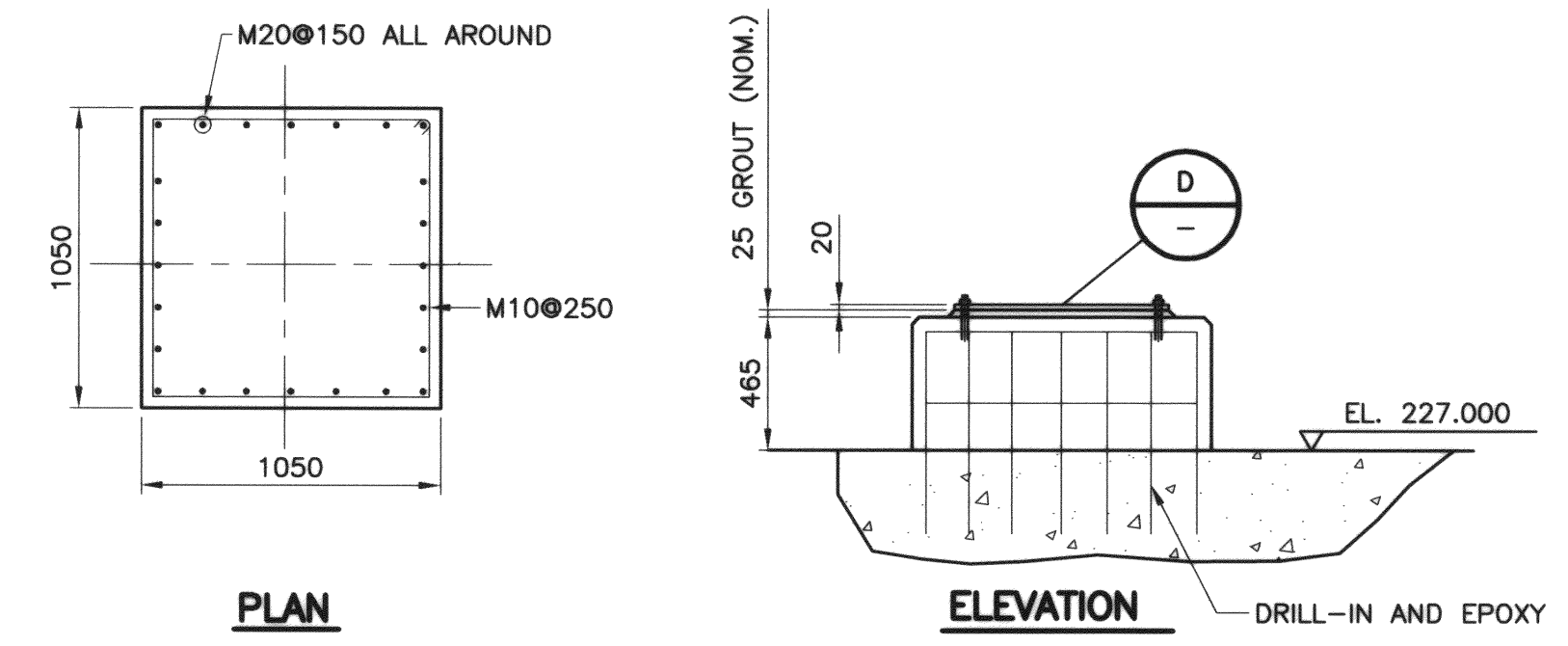
1 PIPE SUPPORT TYPE 1
S01 SCALE 1:25



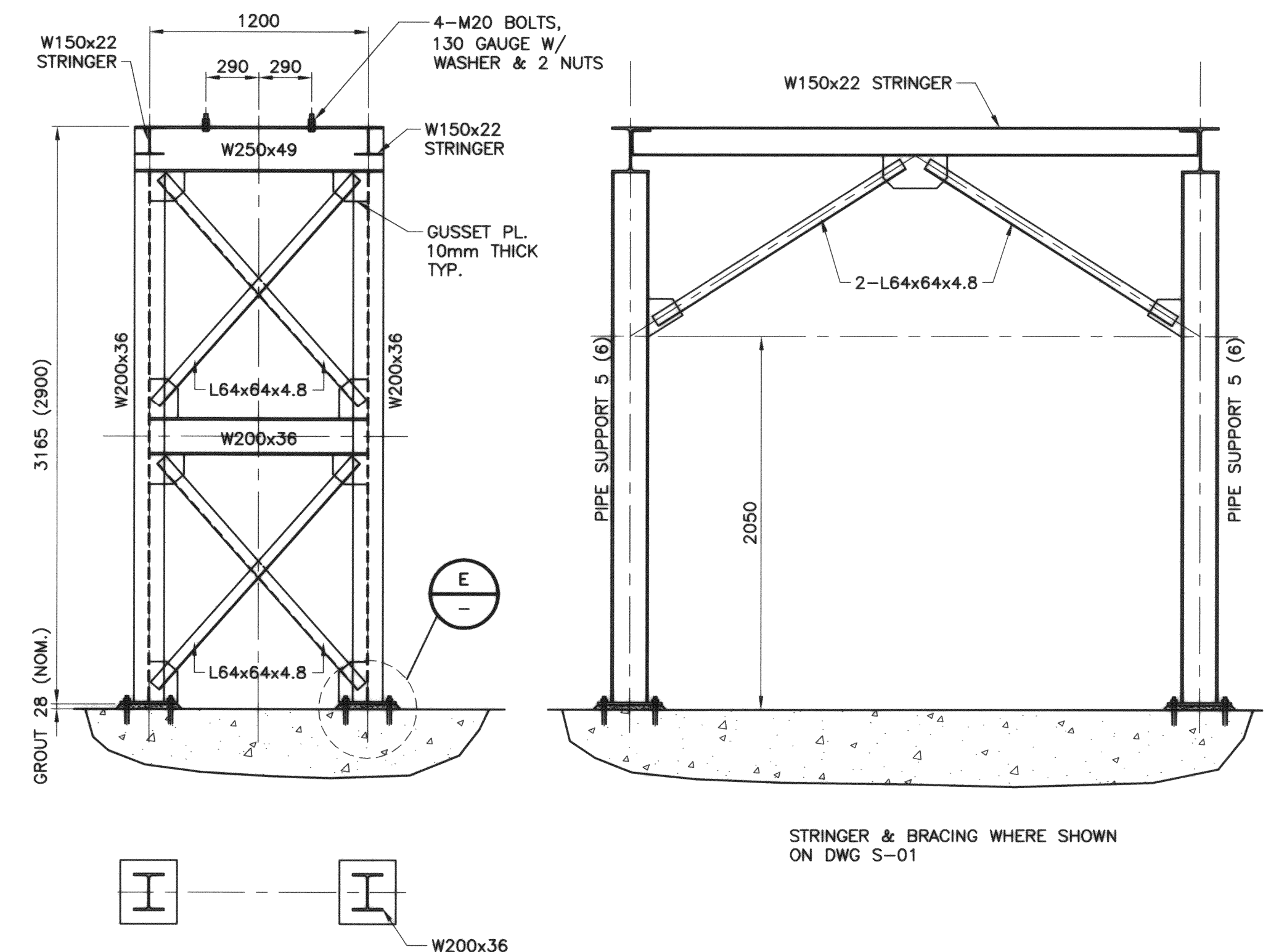
3 PIPE SUPPORT TYPE 3
S01 SCALE 1:25



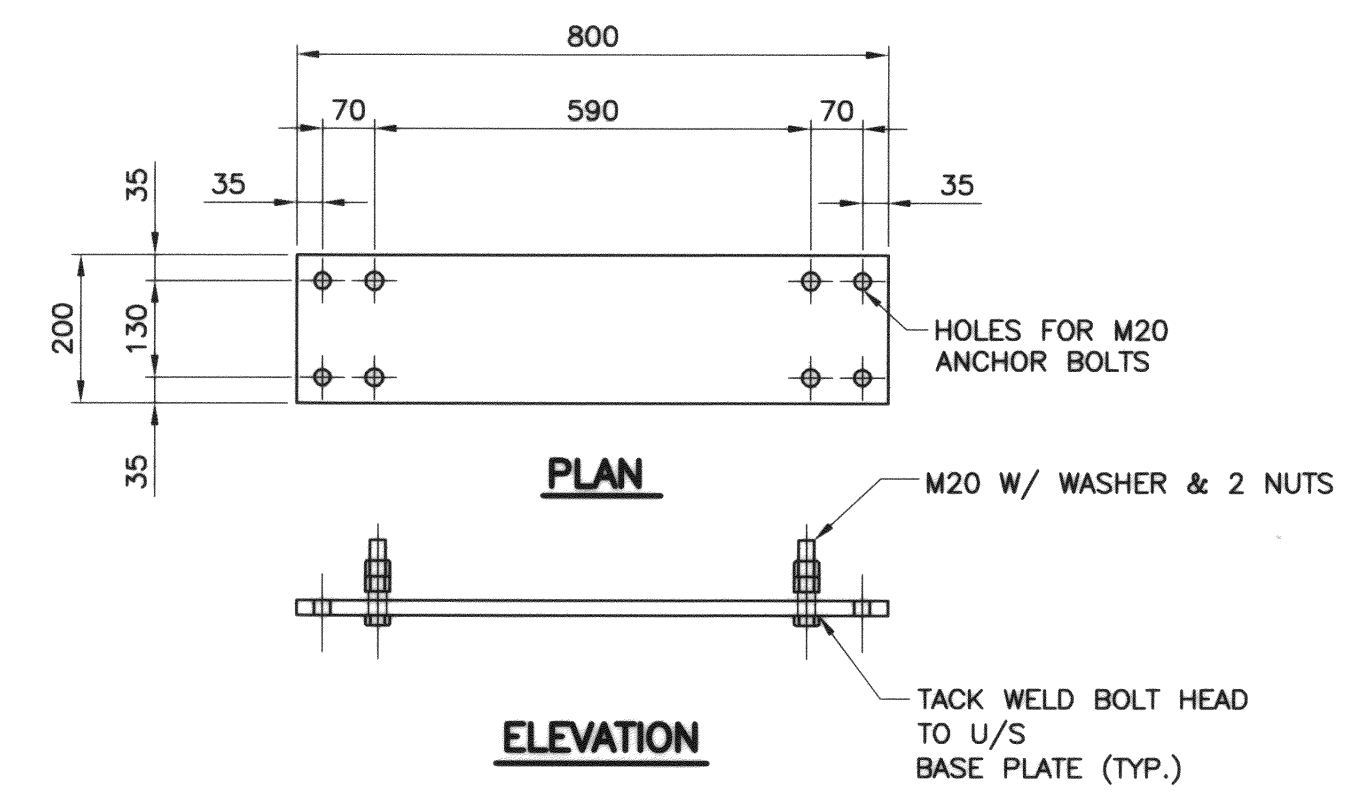
2 PIPE SUPPORT TYPE 2
S01 SCALE 1:25



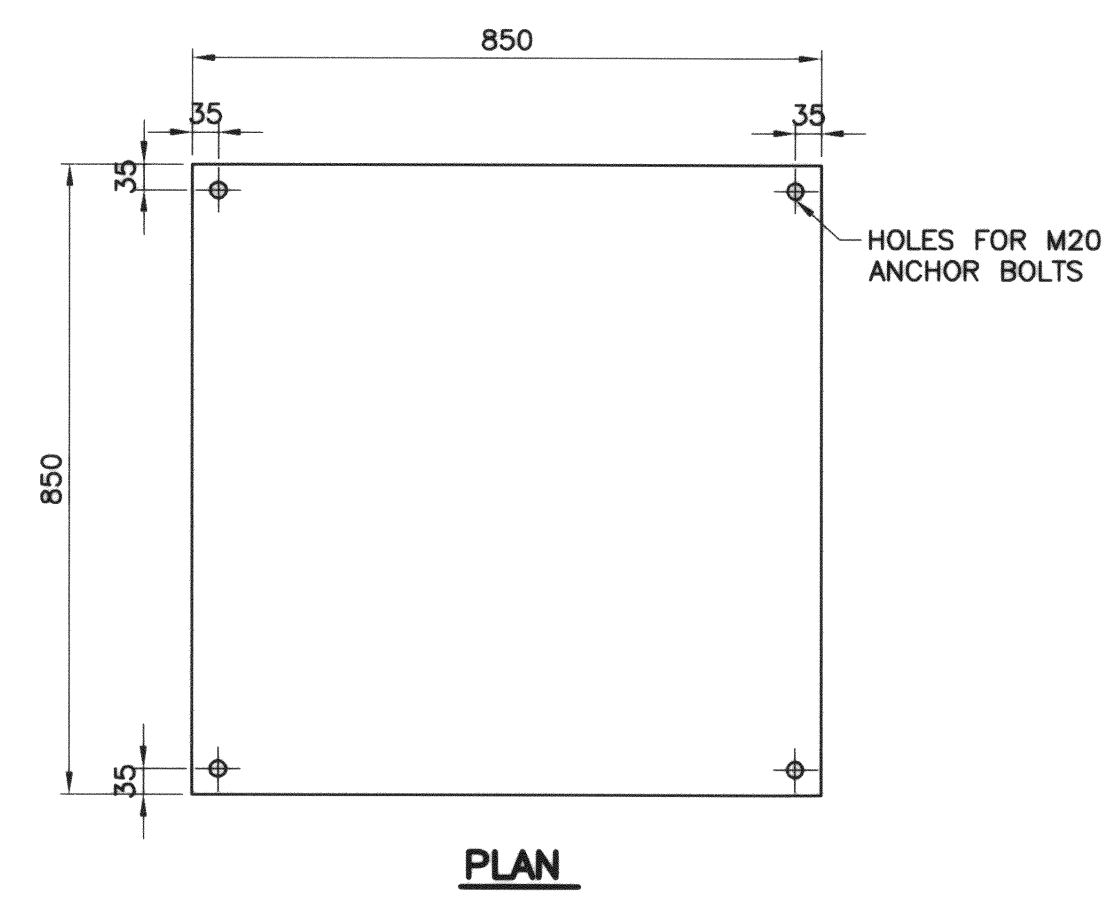
4 PIPE SUPPORT TYPE 4
S01 SCALE 1:25



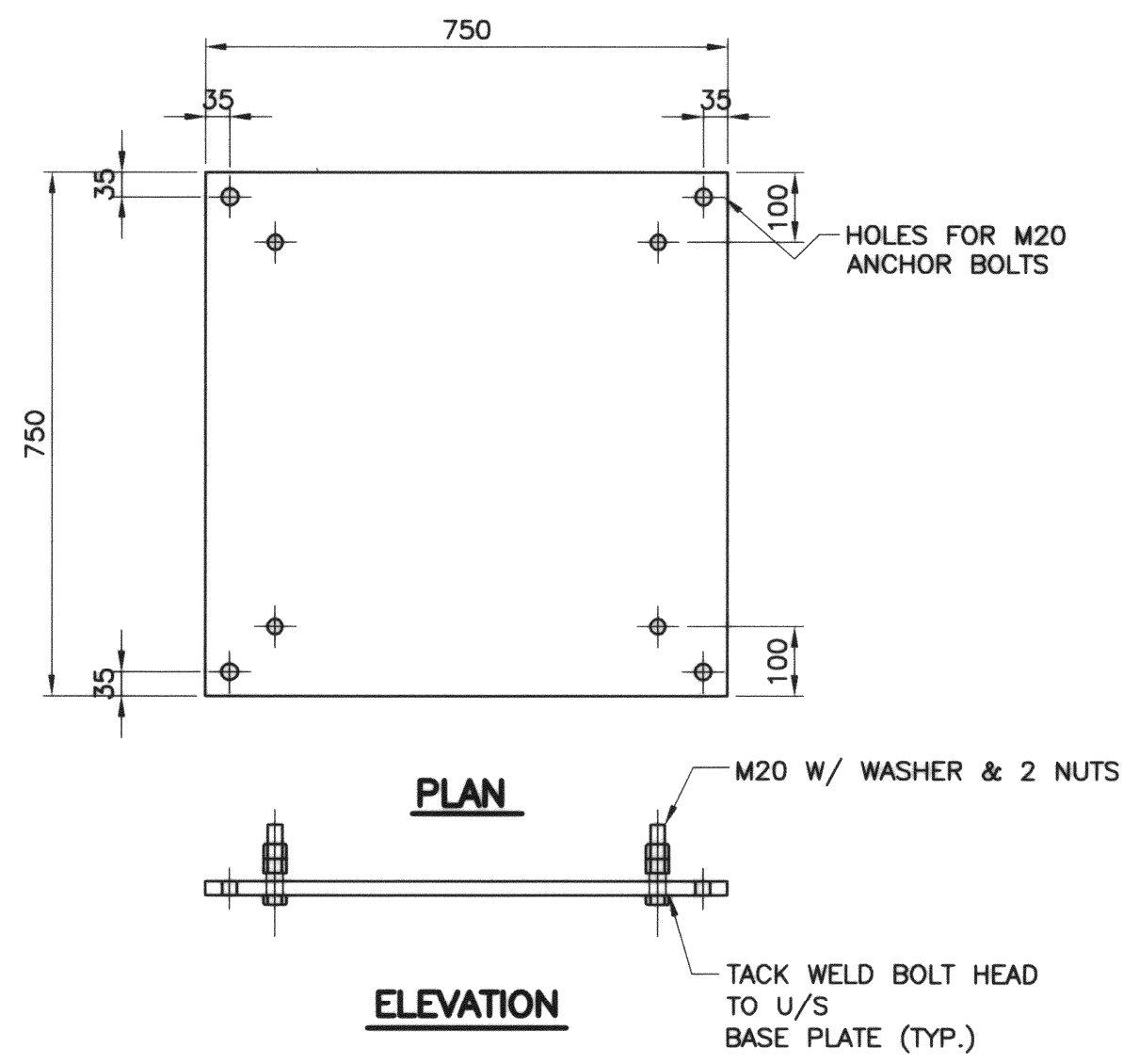
5 PIPE SUPPORT TYPE 5 (TYPE 6)
S01 SCALE 1:25



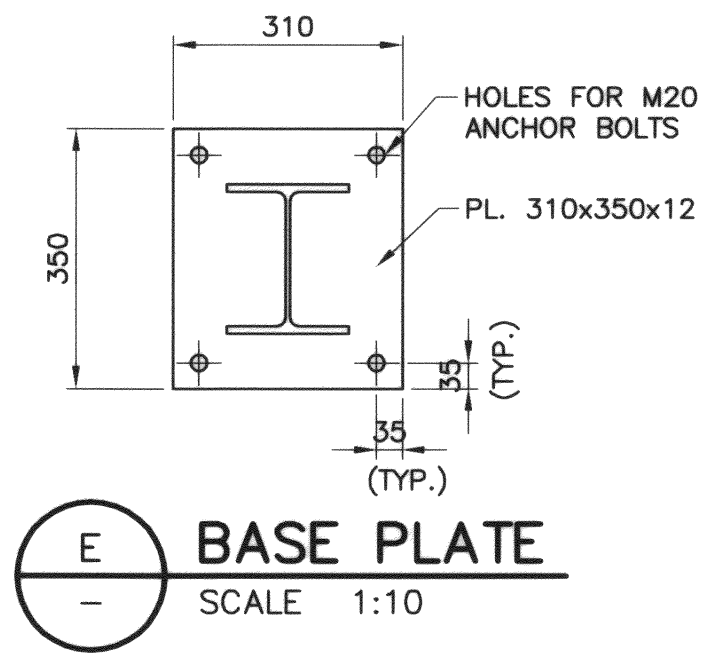
A BASE PLATE
SCALE 1:10



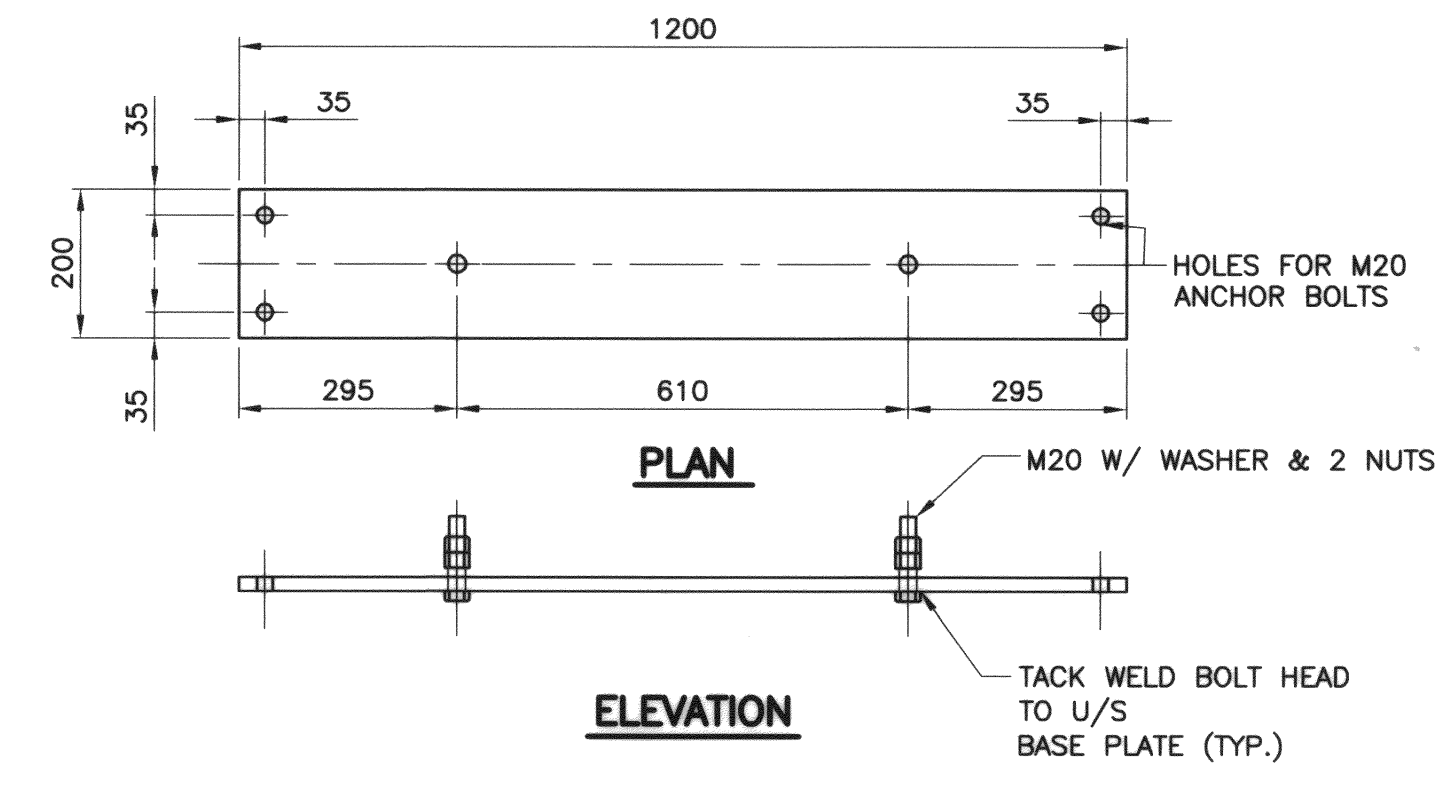
B BASE PLATE
SCALE 1:10



D BASE PLATE
SCALE 1:10



E BASE PLATE
SCALE 1:10



C BASE PLATE
SCALE 1:10

APCG
Certificate of Authorization
Earth Tech Canada Inc.
No. 730 Expiry: April 30, 2004

B.M. ELEV.					
DESIGNED BY	WW	CHECKED BY	DK	PROVINCE OF MANITOBA REGISTERED PROFESSIONAL ENGINEER	D. KRUGER Member 24145
DRAWN BY	WW	APPROVED BY	DT	CONSULTANT DRAWING NO.	63672-C5-S02
HOR. SCALE:	AS SHOWN	RELEASED FOR CONSTRUCTION BY:			
VERTICAL SCALE:		DATE	2003/11/12		
0 ISSUED FOR TENDER	03/12/12	WW			
NO REVISIONS		DATE			

THE CITY OF WINNIPEG
Winnipeg WATER AND WASTE DEPARTMENT

DEACON ULTRAVIOLET (UV) LIGHT DISINFECTION PROJECT

STRUCTURAL - UV INSTALLATION PIPE SUPPORT DETAILS

CITY FILE NUMBER
SHEET 2 OF 10
CITY DRAWING NUMBER
D-8389