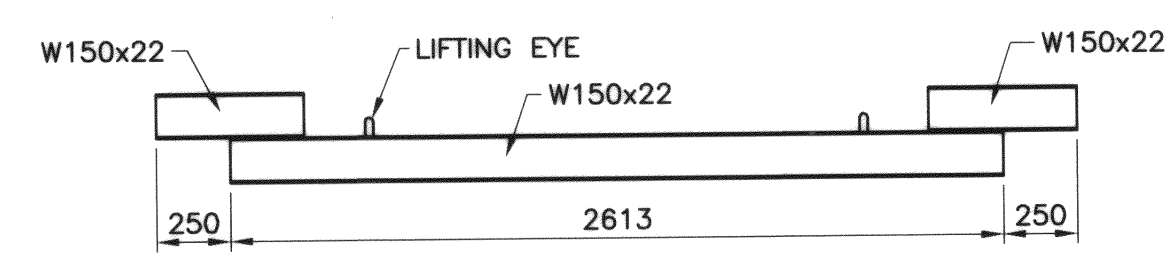
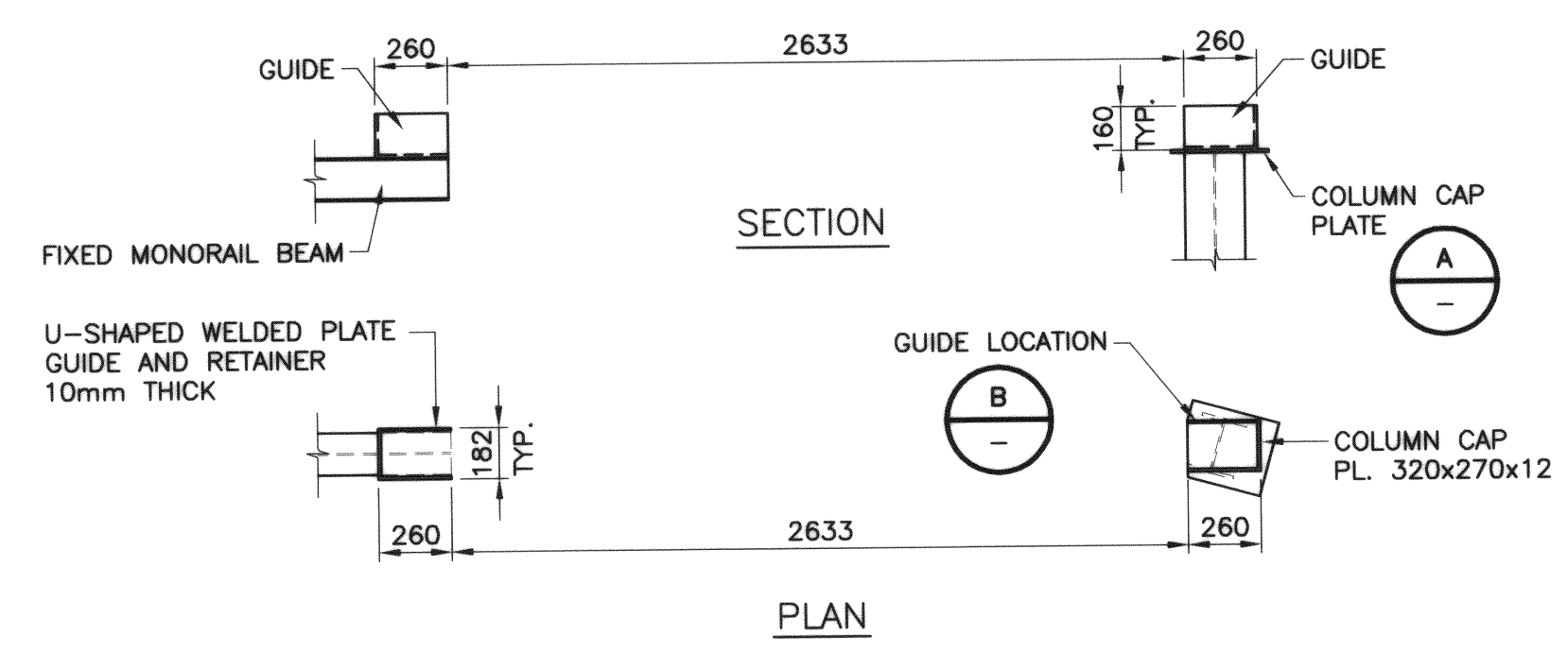


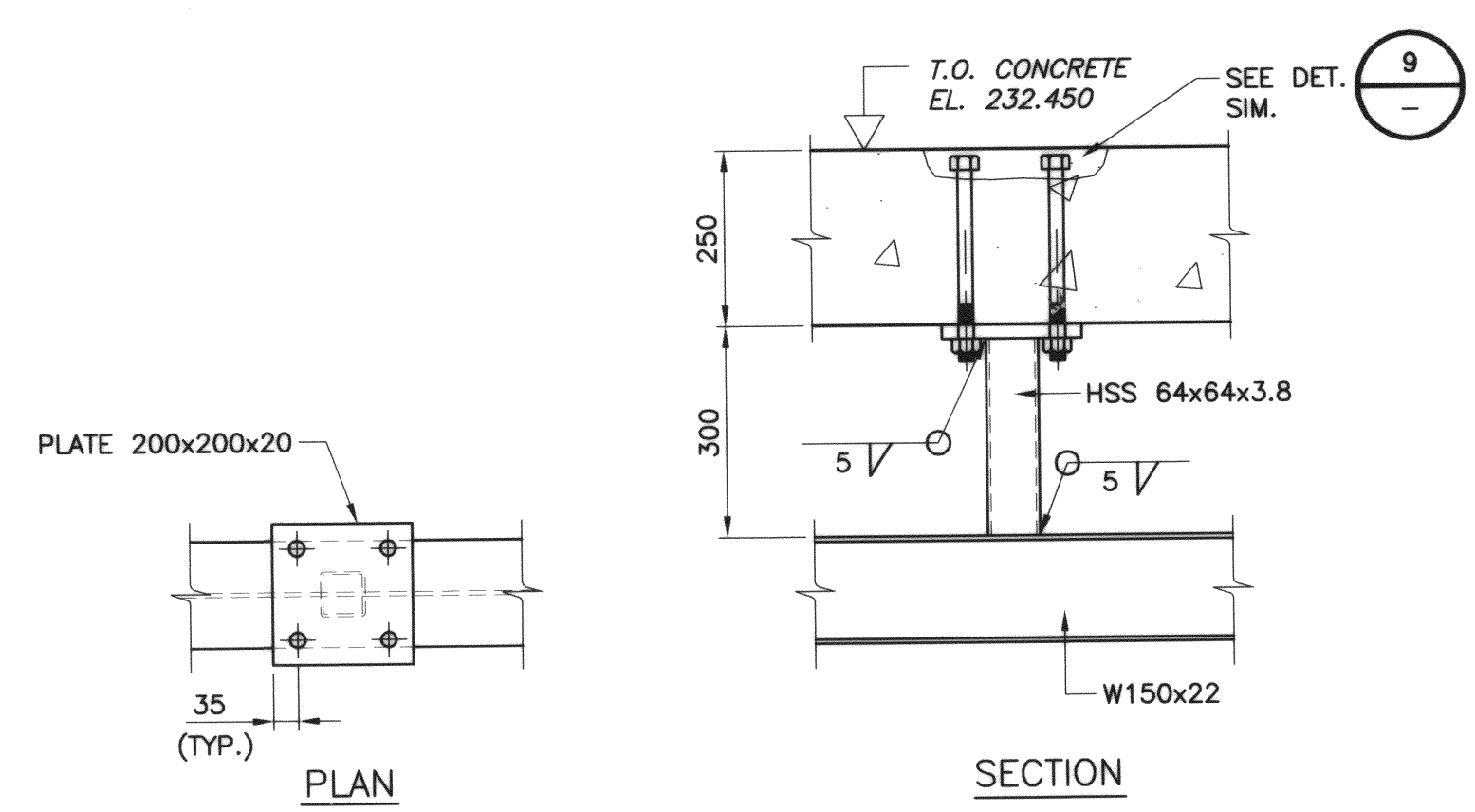
SHEET: C&M-41- (17/2003) P.A. 12/19/79 - WINNIPEG UVA BRACKETING MECH - STRUCT - CS04.DWG - DEC/15/2003 4:33 p.m. LAYOUT: Layout1 USER: troh



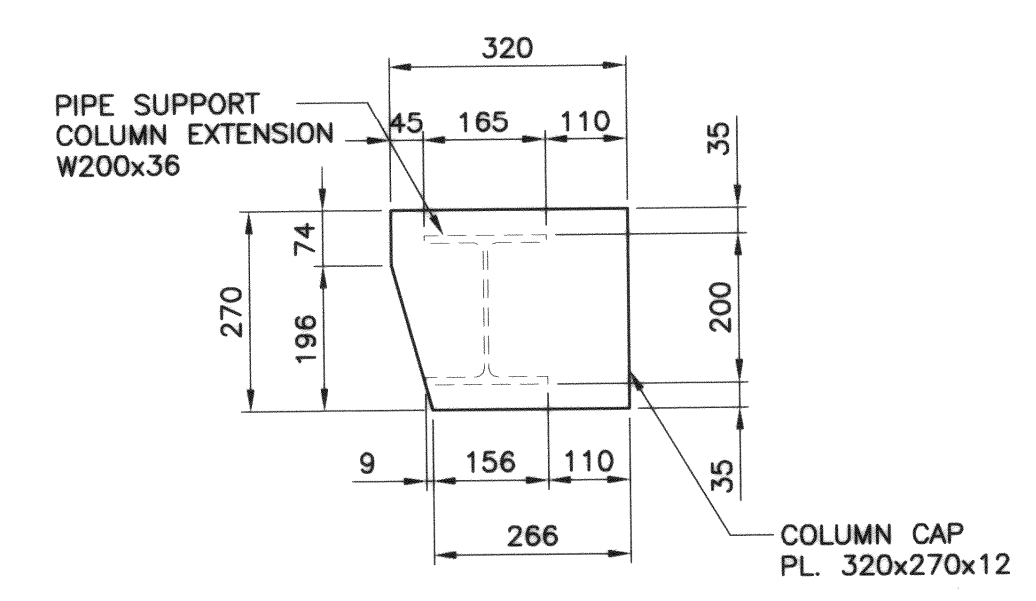
1 DROP-IN BEAM ELEVATION
S03 SCALE 1:25



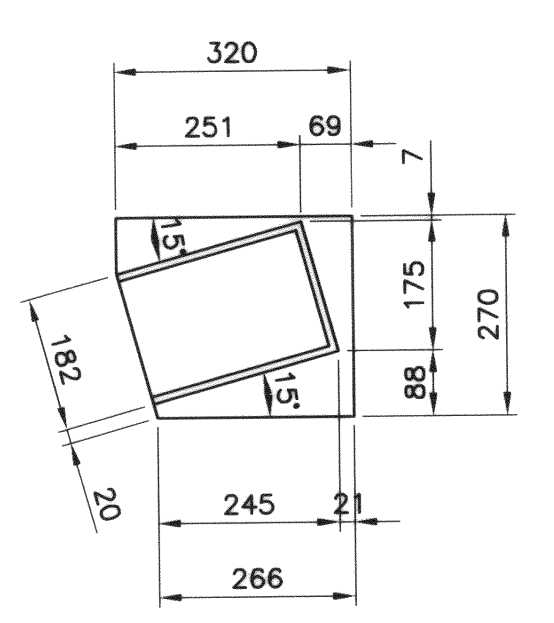
2 DROP-IN GUIDE
S03 SCALE 1:25



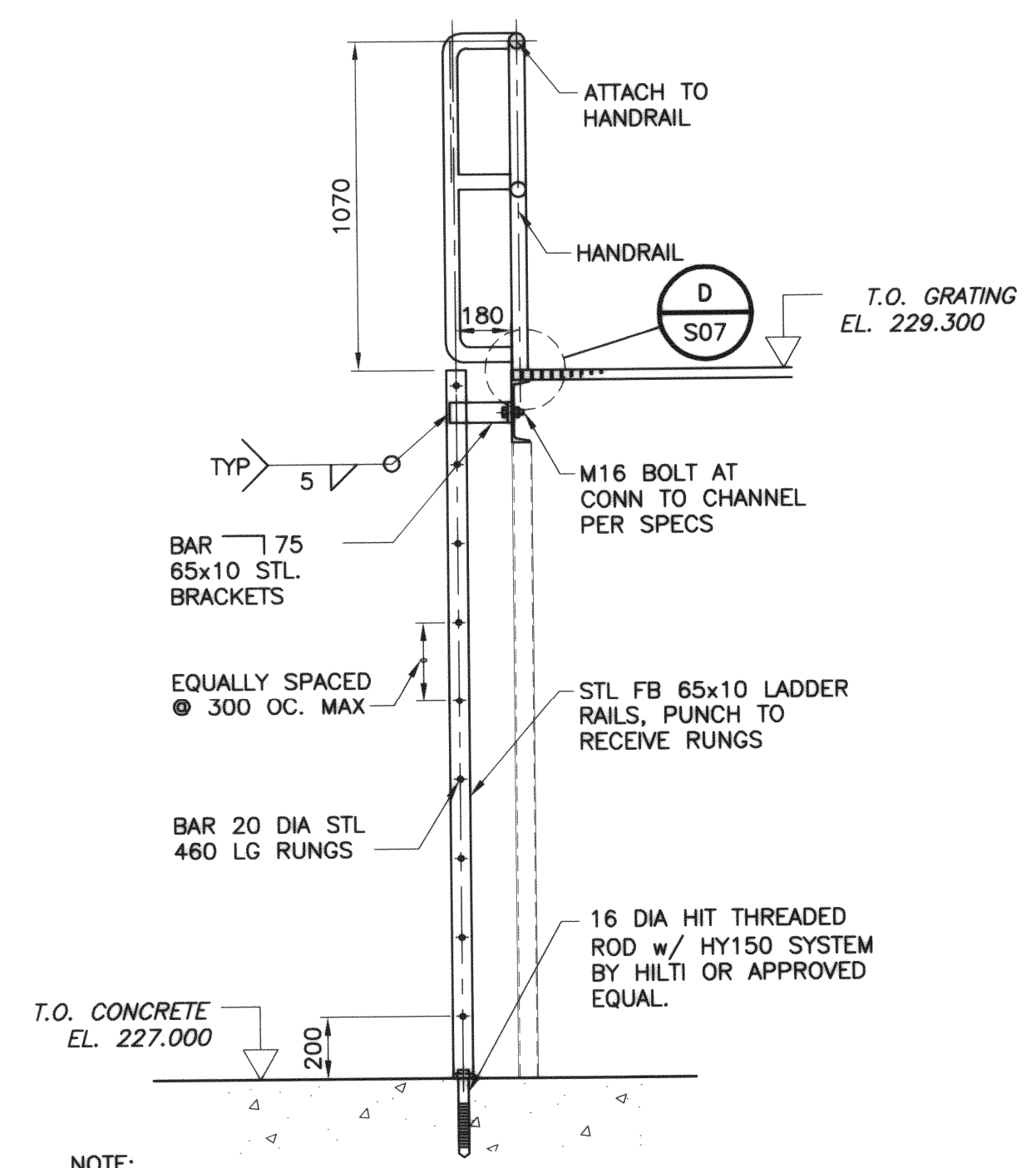
3 DETAIL
S03 SCALE 1:10



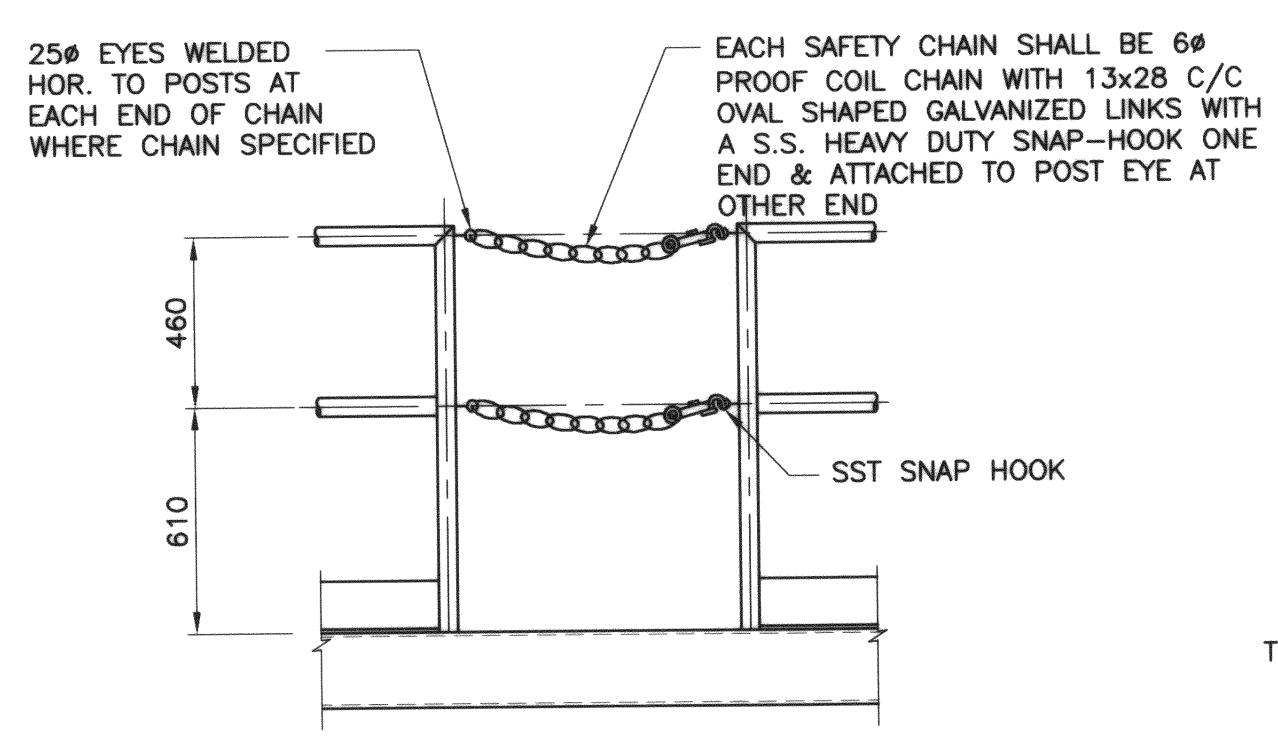
A COLUMN CAP PL.
SCALE 1:10



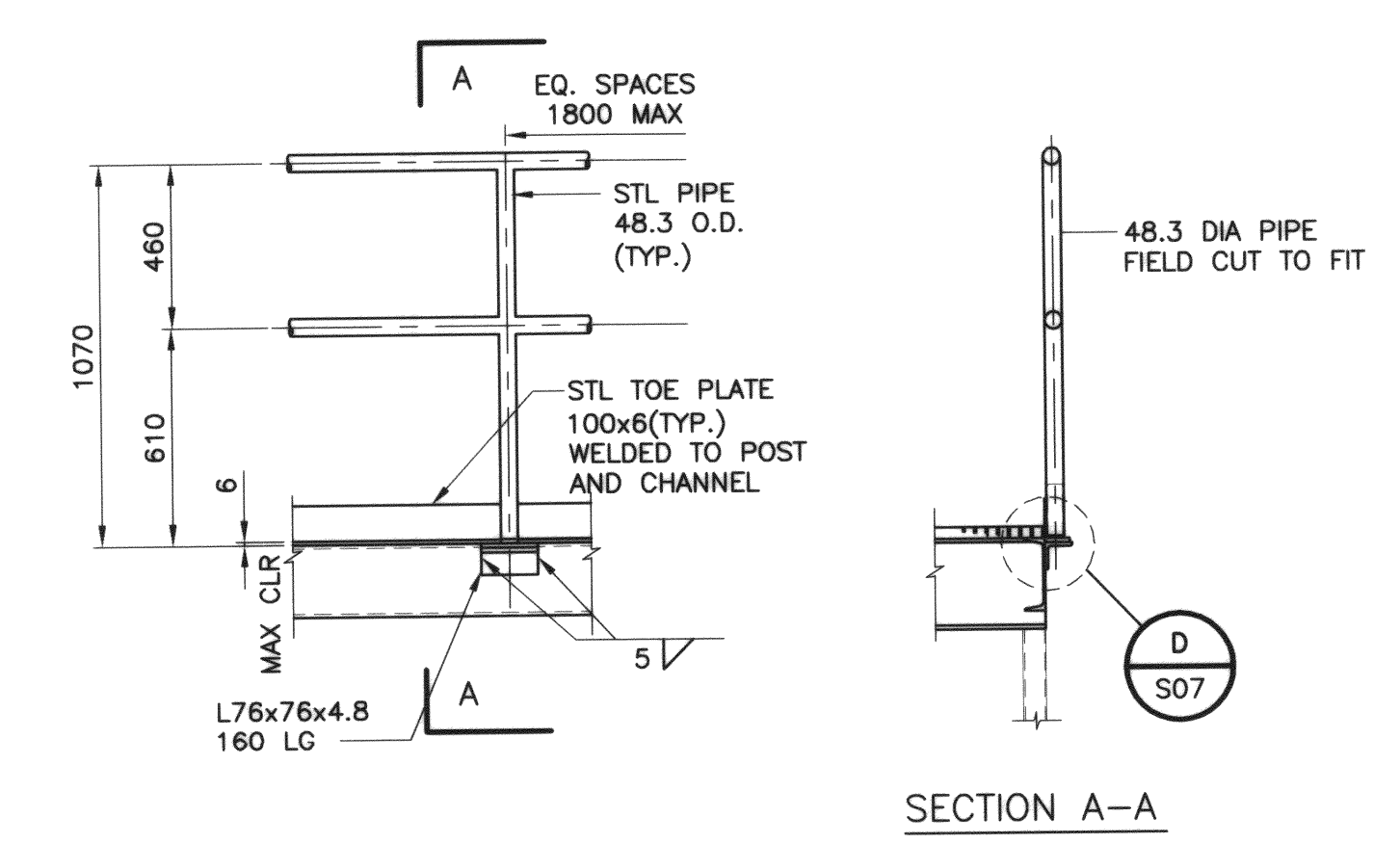
B GUIDE LOCATION
SCALE 1:10



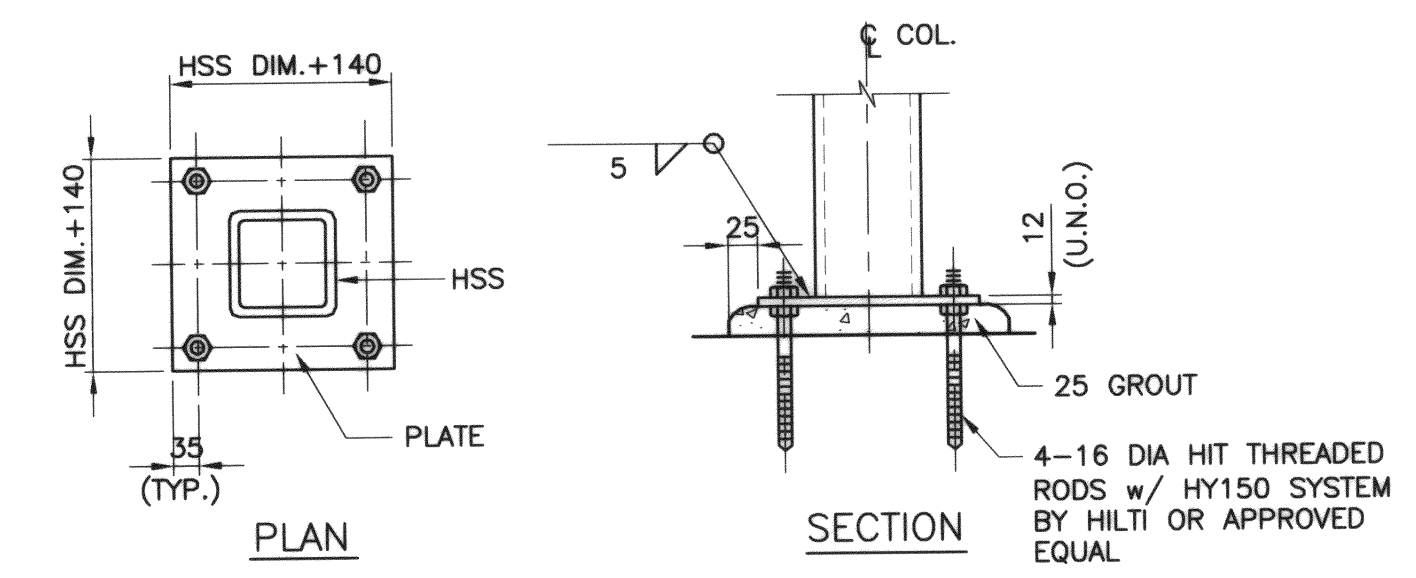
4 PIPE LADDER
S03 SCALE 1:20



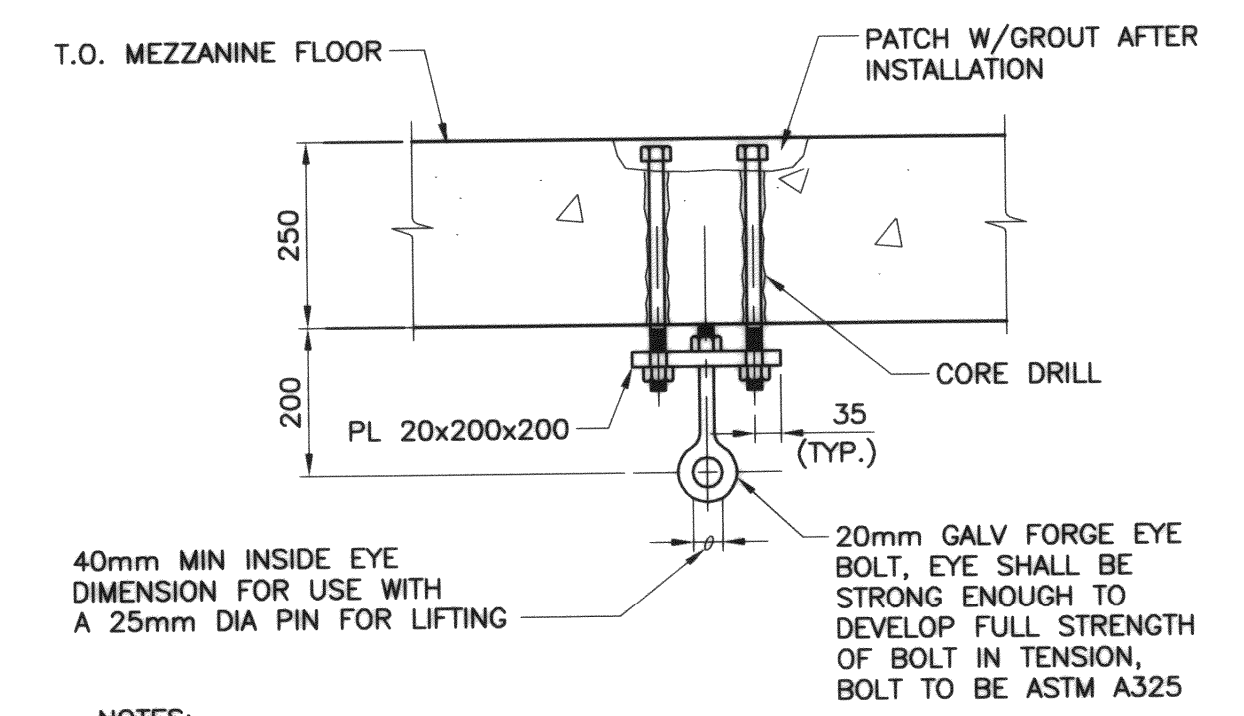
6 TYPICAL SAFETY CHAIN DETAIL
S03 SCALE 1:20



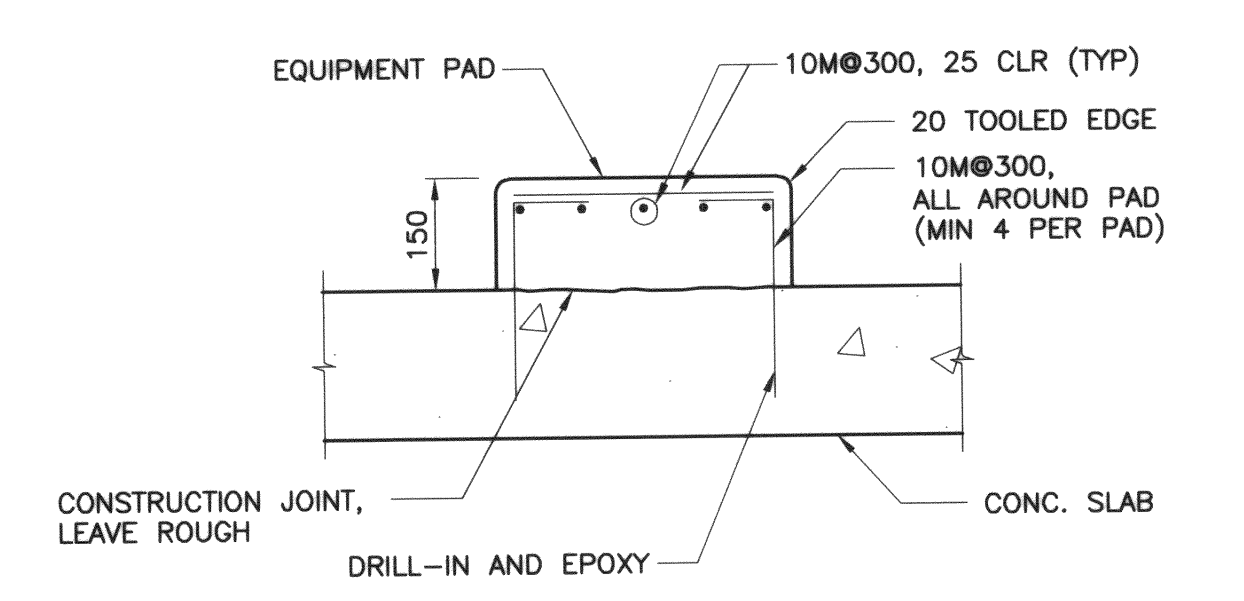
5 REMOVABLE HANDRAIL DETAIL
S03 SCALE 1:20



7 HSS BOTTOM CONNECTION AT CONC.
S03 S05 S06 SCALE 1:10



9 LIFTING EYE
S01 SCALE 1:10



10 PUMP PAD
S01 SCALE 1:10

NOTE:
1. HOT DIP GALVANIZE STEEL AFTER FABRICATION.

NOTE:
1. GROUT SHALL BE NONSHRINK AS PER SPECIFICATIONS, FLOWABLE.

NOTES:
1. MAXIMUM LOAD RATING FOR LIFTING EYE: 900 kg
2. SUBMIT DATA ON EYE BOLT WITH SHOP DRAWINGS.

NOTES:
1. PADS REQUIRED TO SUPPORT EQUIPMENT AS NOTED ON MECHANICAL DWGS.
2. FOR SIZE, TYPE AND LOCATION OF ANCHOR BOLTS FOR EQUIPMENT, SEE MANUFACTURER'S DWGS. CONTRACTOR TO SUPPLY BOLTS.



B.M. ELEV.	EARTH TECH	CH2MHILL	PROVINCE OF MANITOBA REGISTERED PROFESSIONAL ENGINEER D. KRUGER Member 24145 DEC 15 2003	THE CITY OF WINNIPEG Winnipeg WATER AND WASTE DEPARTMENT
DESIGNED BY: WW	CHECKED BY: DK	RELEASED FOR CONSTRUCTION BY:	DEACON ULTRAVIOLET (UV) LIGHT DISINFECTION PROJECT	CITY FILE NUMBER
DRAWN BY: WW	APPROVED BY: DT	DATE: 2003/11/12	STRUCTURAL - UV INSTALLATION MONORAIL BEAM AND PLATFORM PLAN AND SECTION	SHEET 4 OF 10
ISSUED FOR TENDER: 03/12/12 WW	DATE: 2003/11/12	DATE:	CONSULTANT DRAWING NO. 63672-C5-S04	CITY DRAWING NUMBER D-8391