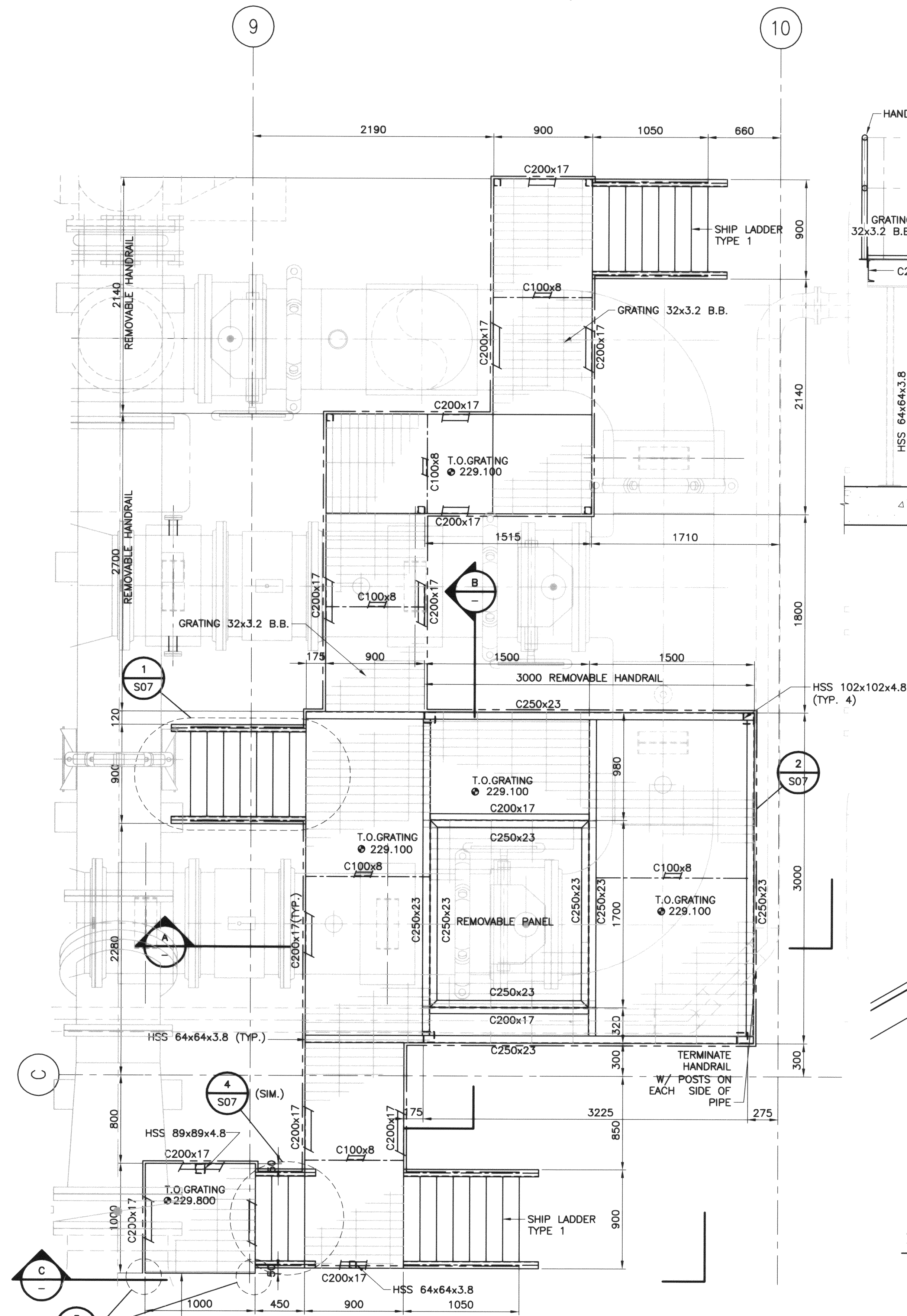


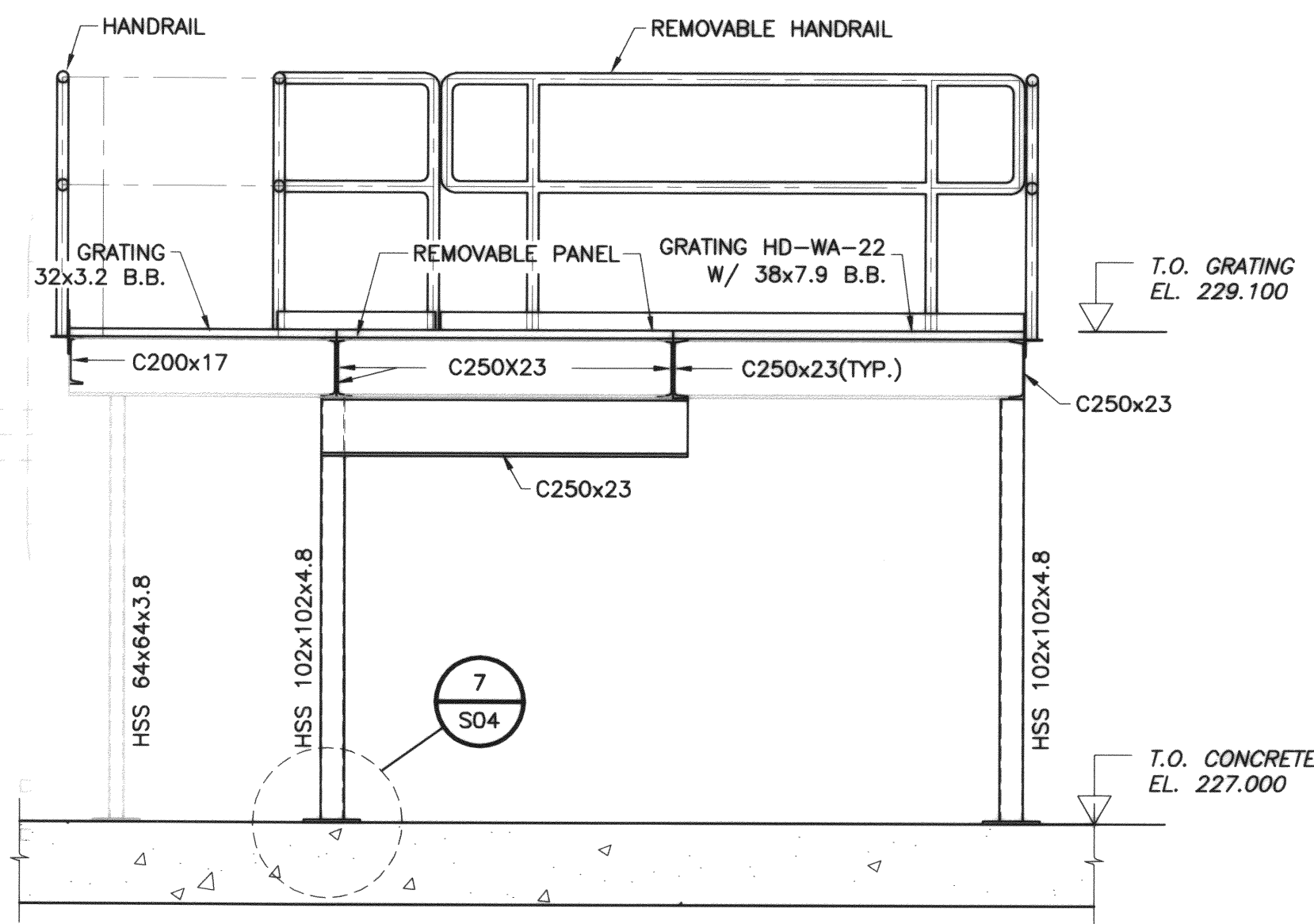
P:\121979 WINNIPEG\DRAWING\MECH-STRUCT\CS06.DWG DEC/15/2003 4:57 p.m. LAYOUT: Layout1 USER: troh



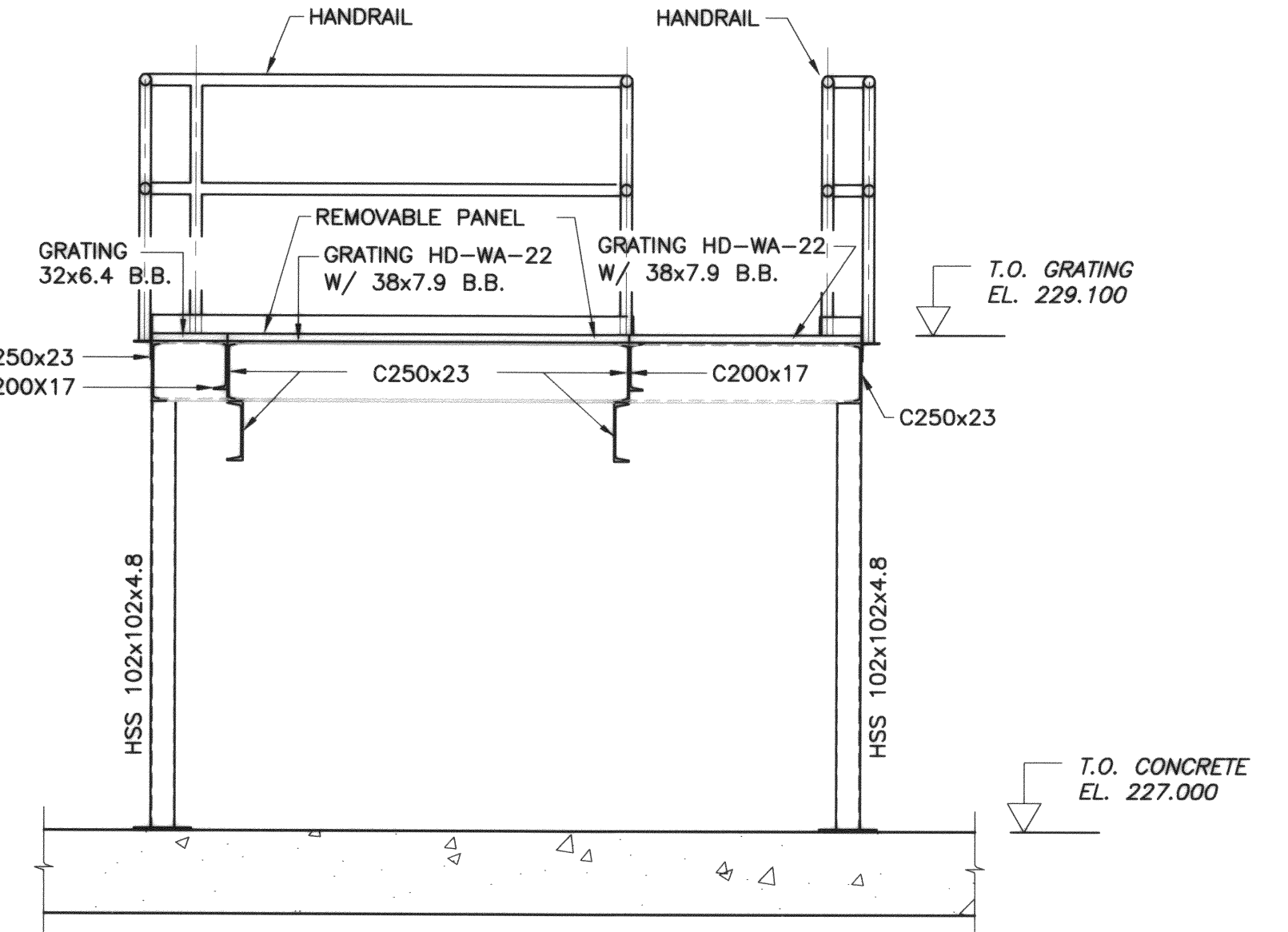
8 PLATFORM AND SHIP LADDER PLAN
S01 SCALE 1:25

TERMINATE EX. HANDRAIL ON EACH SIDE OF ACCESS TO PLATFORM AND COMPLETE DEMOLITION GAPS IN EX. HANDRAIL.

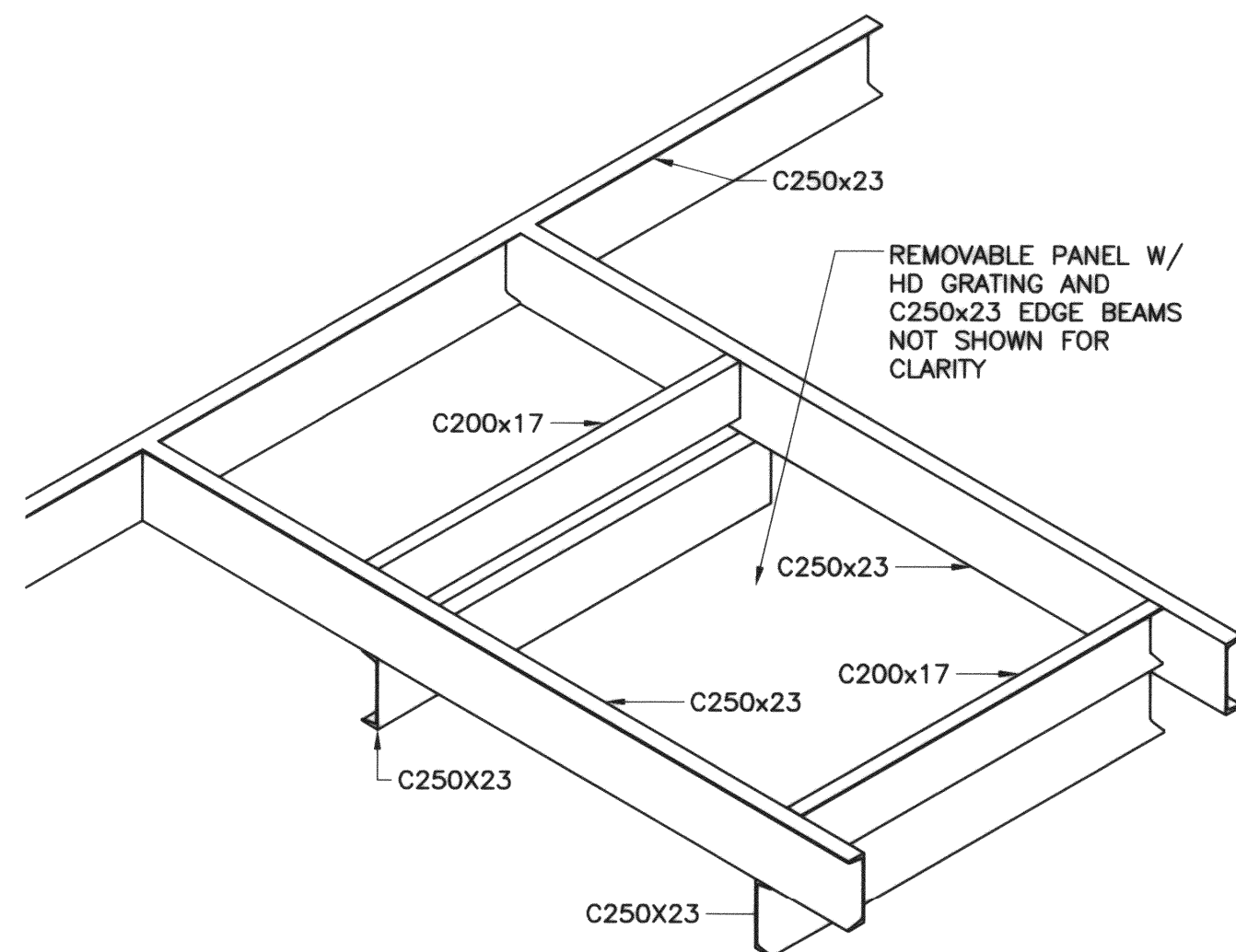
APEGM
Certificate of Authorization
Earth Tech Canada Inc.
No. 730 Expiry: April 30, 2004



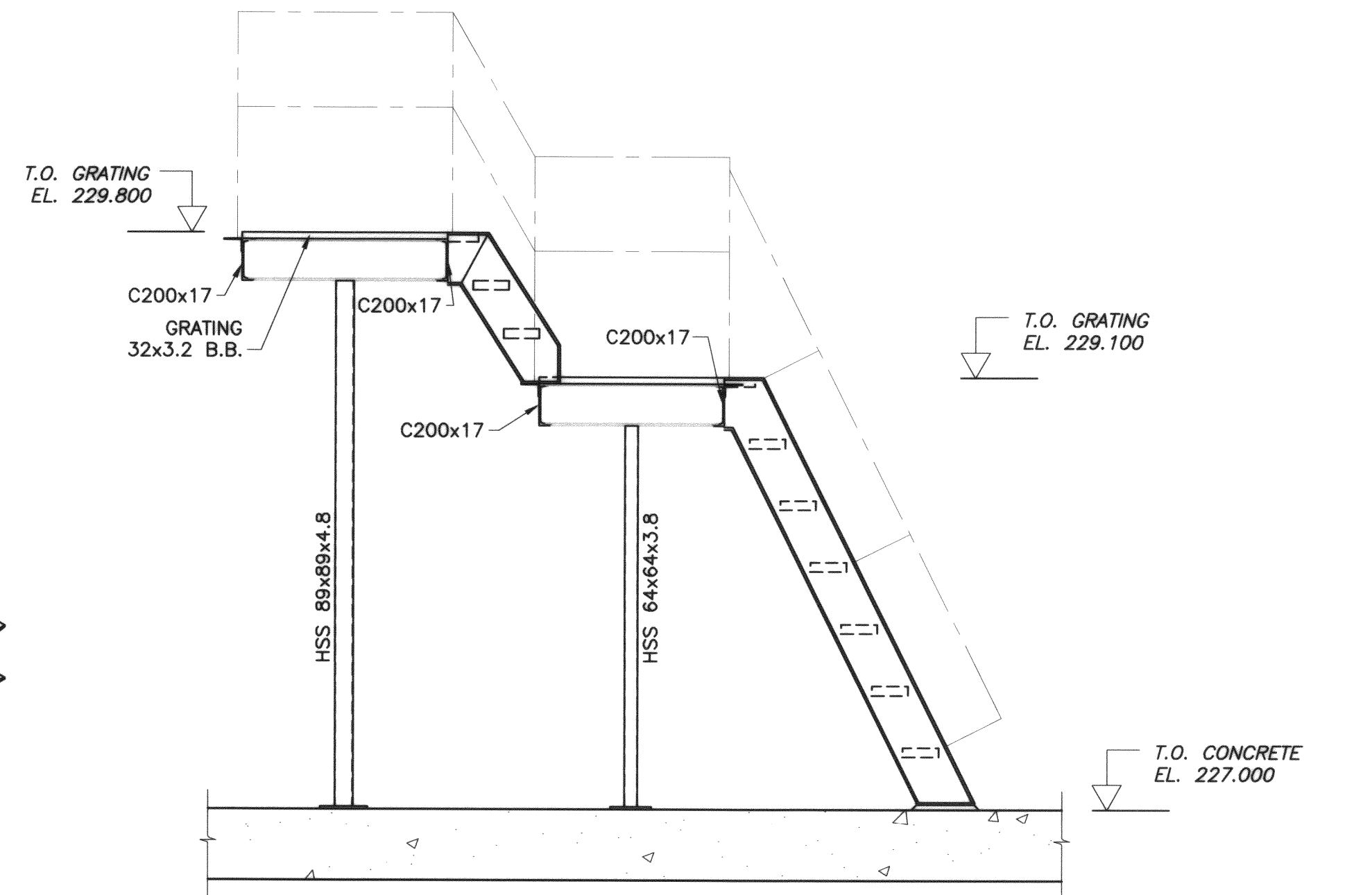
A SECTION
SCALE 1:25



B SECTION
SCALE 1:25



SUPPORT FRAME FOR REMOVABLE PANEL
SCALE NTS



C SECTION
SCALE 1:25

B.M. ELEV.	EARTH TECH	CH2MHILL	ENGINEER	THE CITY OF WINNIPEG Winnipeg WATER AND WASTE DEPARTMENT	
	DESIGNED BY: WW	CHECKED BY: DK	D. KRUGER Member 24145 REGISTERED PROFESSIONAL ENGINEER	DEACON ULTRAVIOLET (UV) LIGHT DISINFECTION PROJECT	
	DRAWN BY: WW	APPROVED BY: DT		STRUCTURAL - UV INSTALLATION PLATFORM AND SHIP LADDER DETAILS	
0 ISSUED FOR TENDER	03/12/12	WW	CONSULTANT DRAWING NO. 63672-C5-S06	CITY FILE NUMBER 6 OF 10	CITY DRAWING NUMBER D-8393
NO. REVISIONS	DATE	BY	DATE		