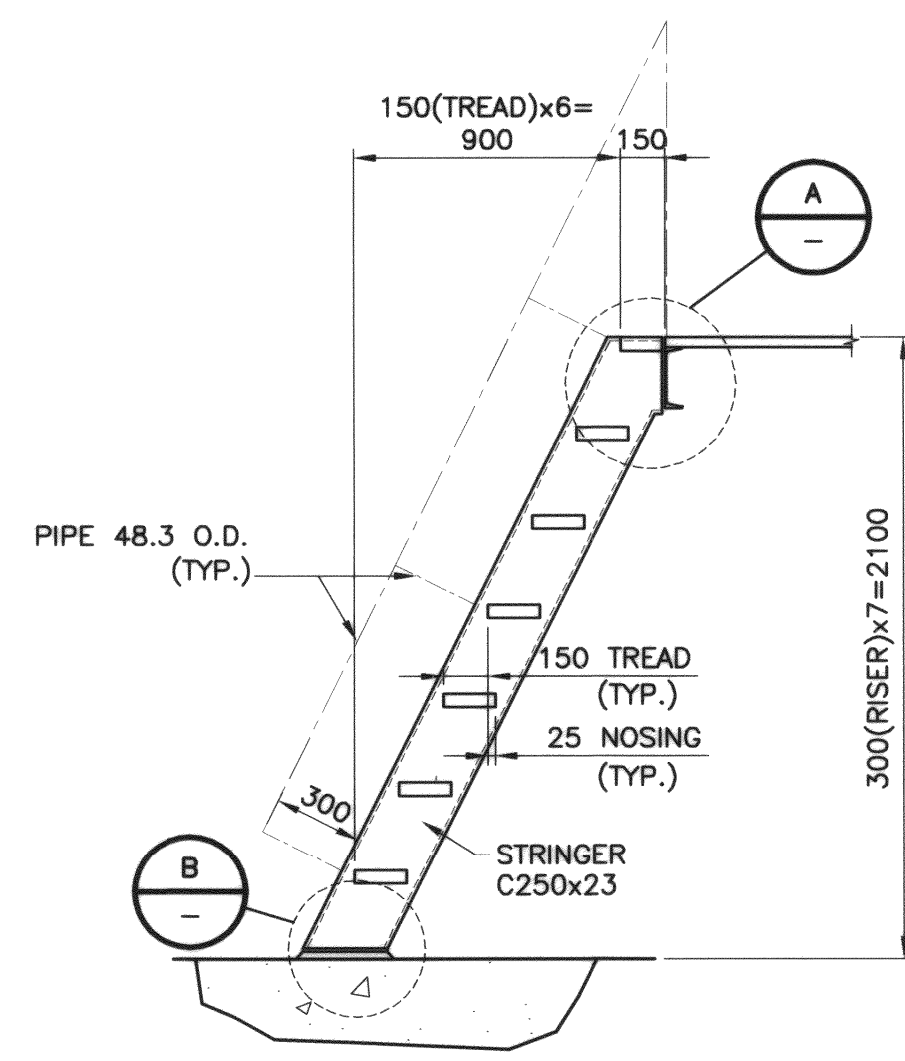
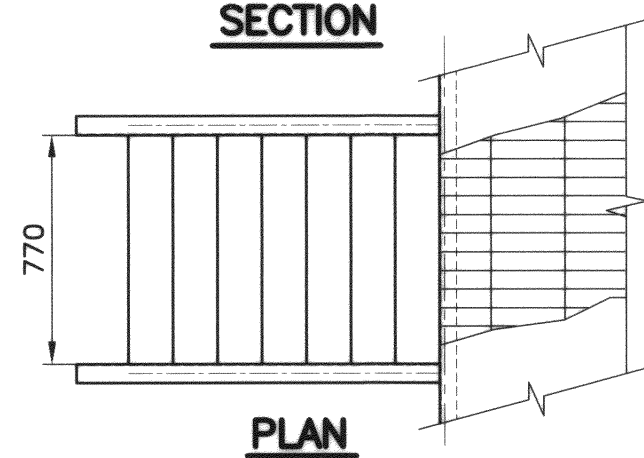


SHEET: 04-11-10 (1/2503)
 P:\121979-WINNIPEG\DRAWINGS\MECH-STRUCT\CS07.DWG - DEC/15/2003 4:31 p.m. LAYOUT - Layout11 - USER: troth

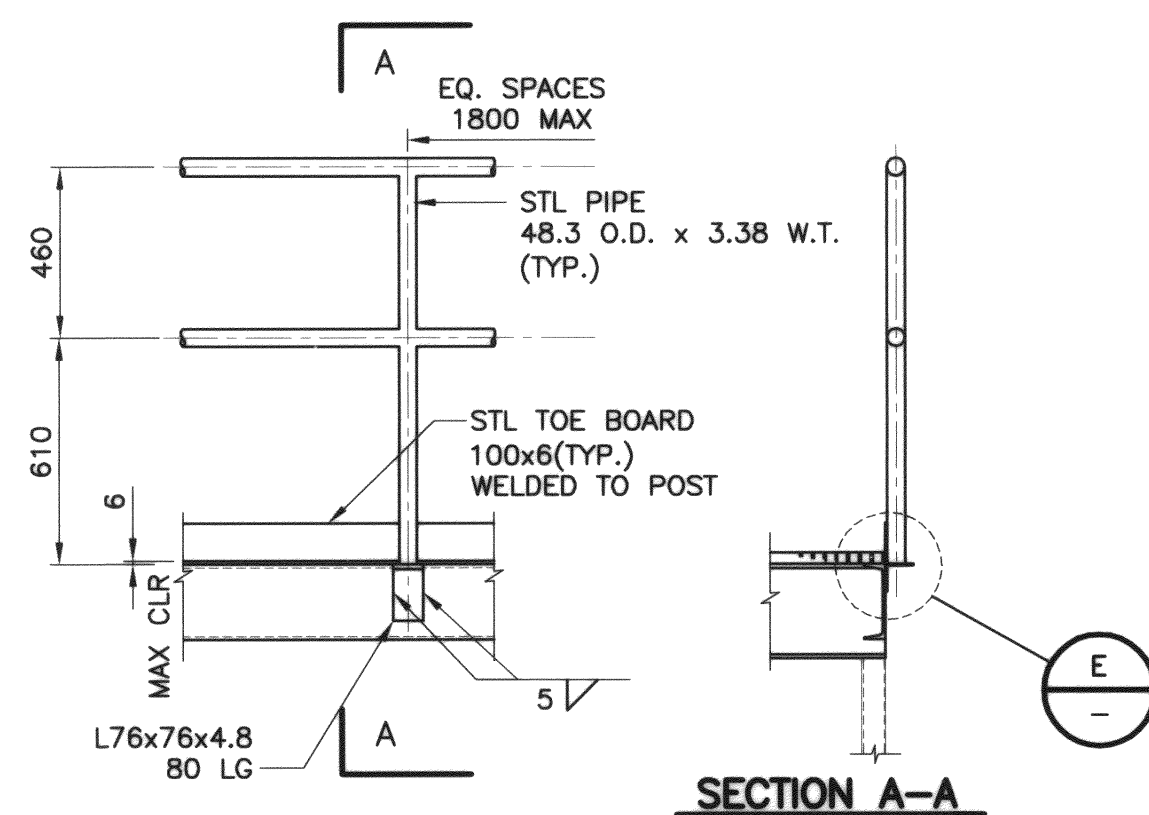


SECTION



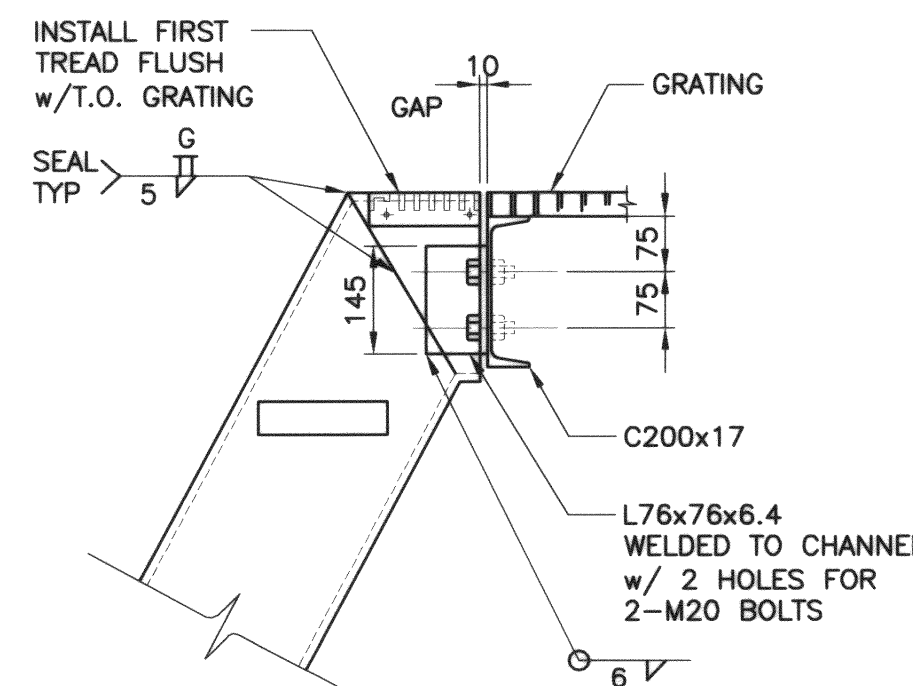
PLAN

1 1 SHIP LADDER TYPE 1
S05 S06 SCALE 1:25

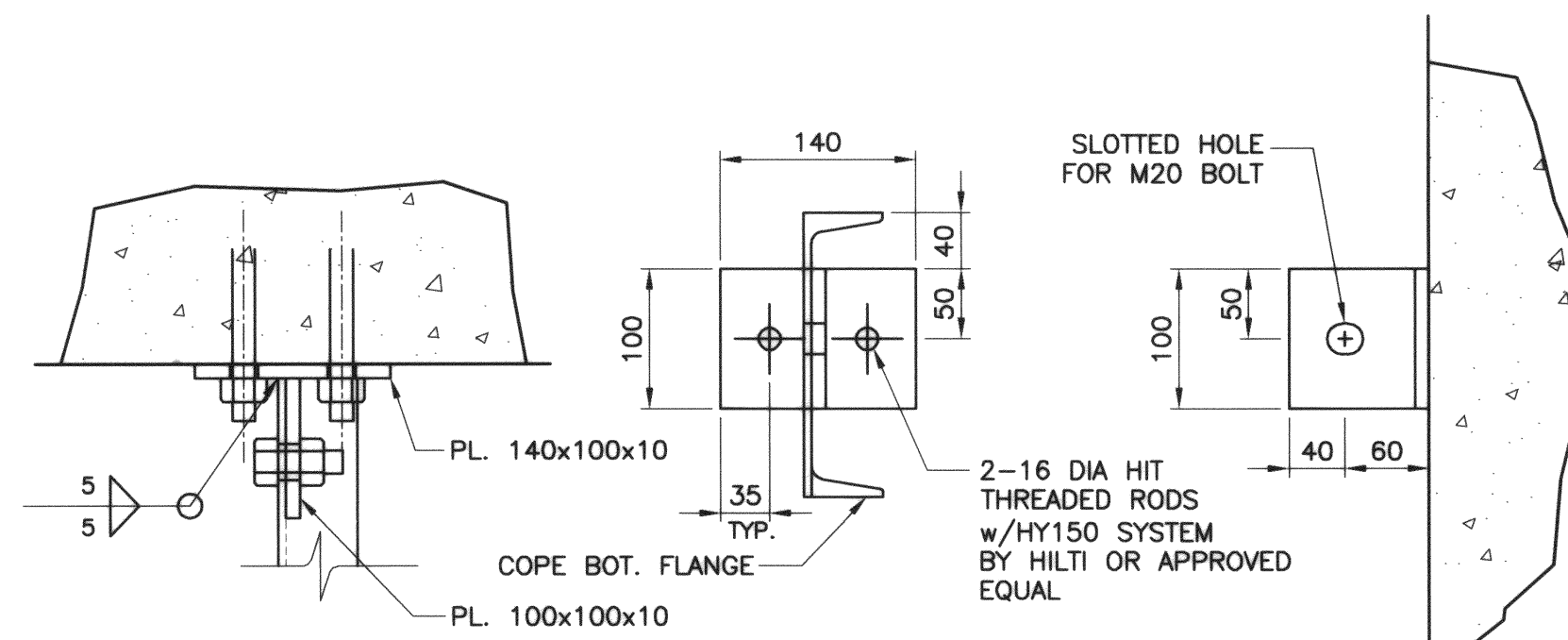


SECTION A-A

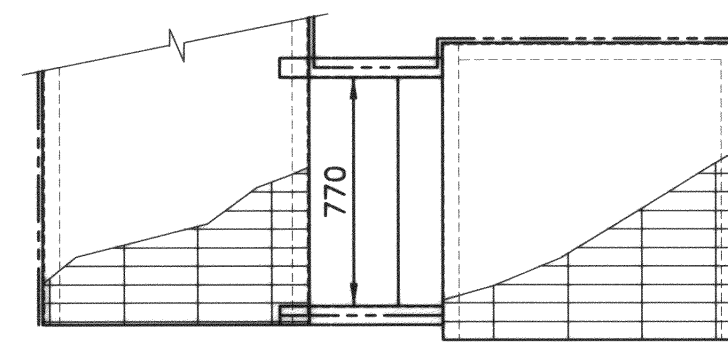
2 2 HANDRAIL DETAIL
S05 S06 SCALE 1:20



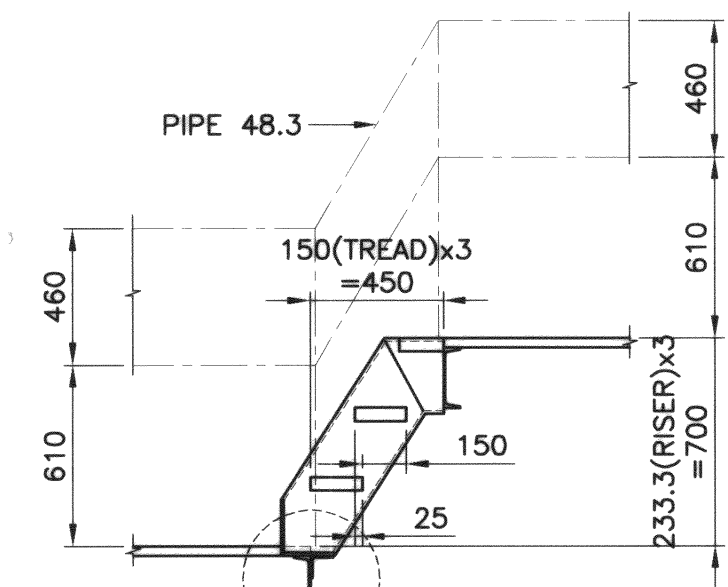
A SHIP LADDER TOP CONNECTION
SCALE 1:10



3 3 CHANNEL TO CONC. CONNECTION
S05 S06 SCALE 1:5

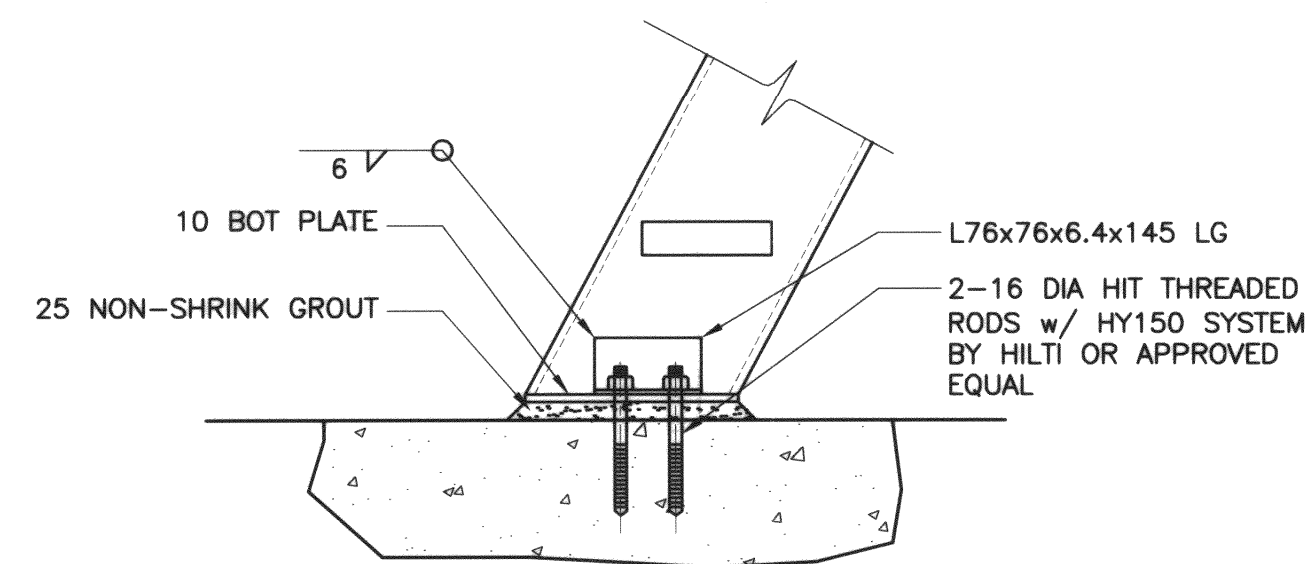


PLAN

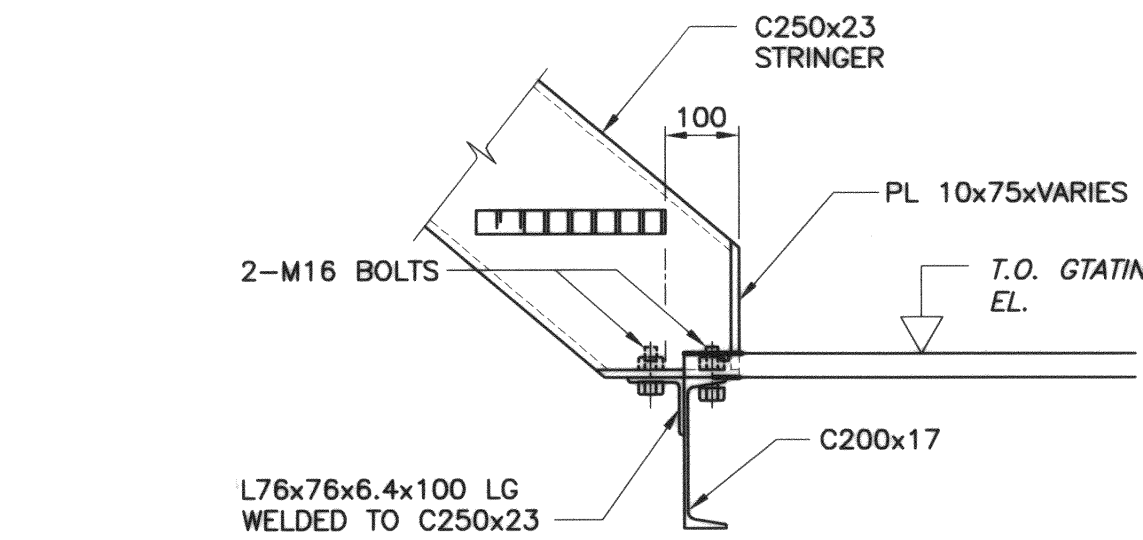


SECTION

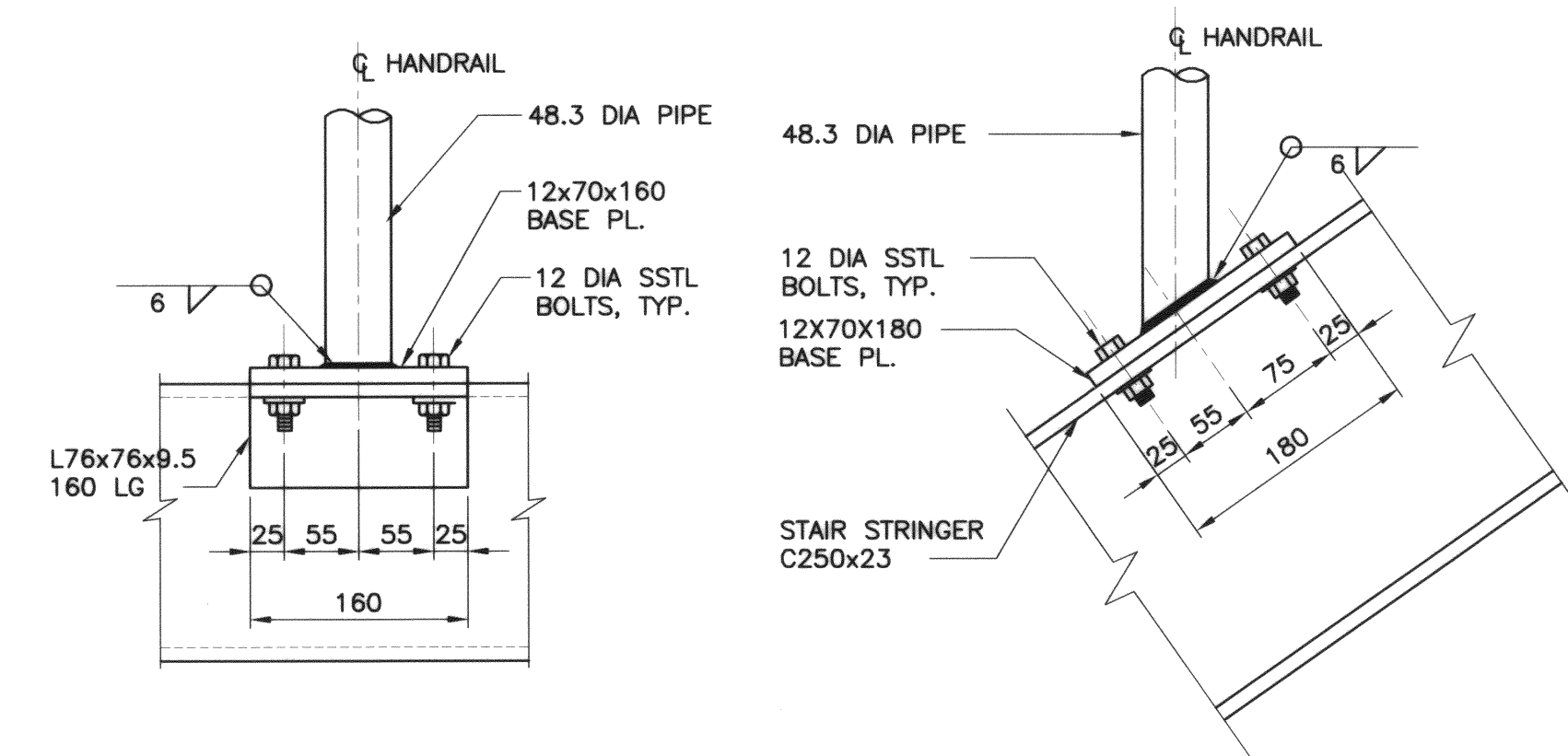
4 4 SHIP LADDER TYPE 2
S05 S06 SCALE 1:25



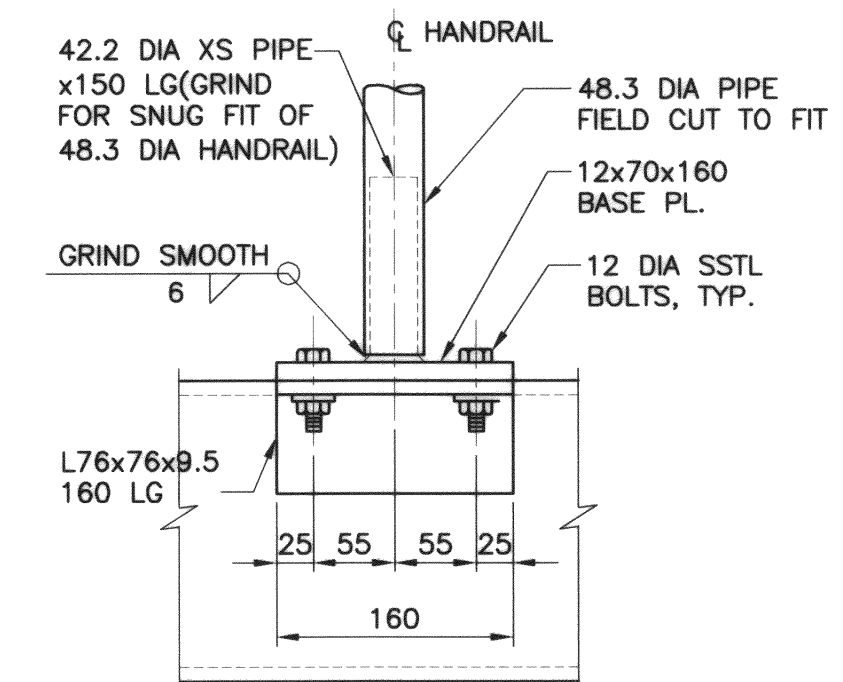
B SHIP LADDER BOT. CONNECTION
SCALE 1:10



C SHIP LADDER BOTTOM CONNECTION @ LANDING
SCALE 1:10



E FIXED HANDRAIL BOTTOM CONNECTION
SCALE 1:5



D REMOVABLE HANDRAIL BOTTOM CONNECTION
S06 SCALE 1:5

APEGN
 Certificate of Authorization
 Earth Tech Canada Inc.
 No. 730 Expiry: April 30, 2004

B.M. ELEV.			
DESIGNED BY	WW	CHECKED BY	DK
DRAWN BY	WW	APPROVED BY	DT
HOR. SCALE:	AS SHOWN	RELEASED FOR CONSTRUCTION BY:	
VERTICAL SCALE:			
0 ISSUED FOR TENDER	03/12/12	WW	
NO. REVISIONS	DATE	BY	DATE
	2003/11/12		

 Earth Tech (Canada) Inc. Winnipeg, Manitoba R2L 4T7 2004	 CH2MHILL
 D. KRÜGER Member 24145 DEC 15 2003 CONSULTANT DRAWING NO. 63672-C5-S07	THE CITY OF WINNIPEG Winnipeg WATER AND WASTE DEPARTMENT DEACON ULTRAVIOLET (UV) LIGHT DISINFECTION PROJECT STRUCTURAL - UV INSTALLATION PLATFORM AND SHIP LADDER DETAILS

THE CITY OF WINNIPEG Winnipeg WATER AND WASTE DEPARTMENT DEACON ULTRAVIOLET (UV) LIGHT DISINFECTION PROJECT STRUCTURAL - UV INSTALLATION PLATFORM AND SHIP LADDER DETAILS	CITY FILE NUMBER SHEET 7 OF 10 CITY DRAWING NUMBER D-8394
--	---