

SHEET: COW-11-17/2003

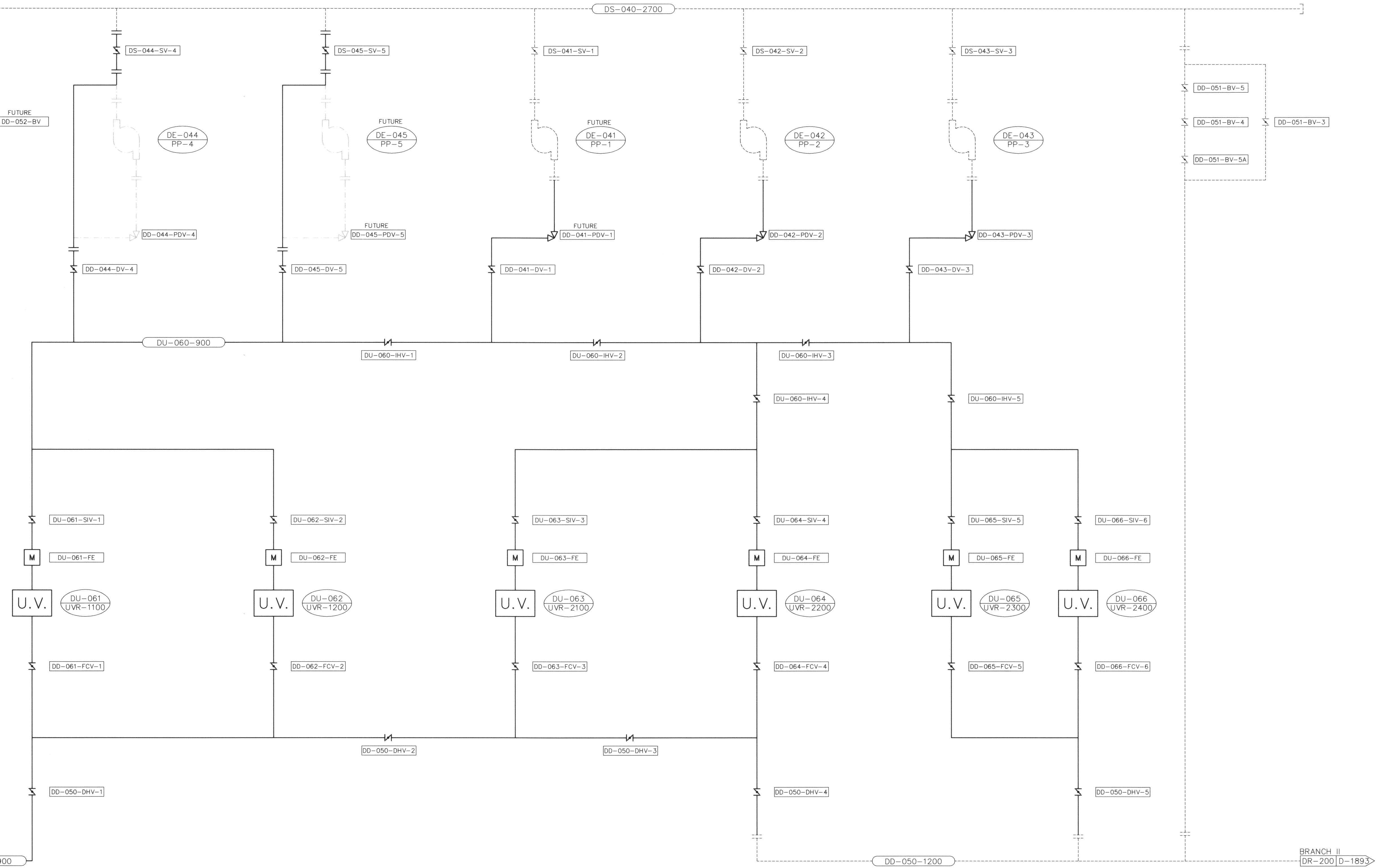
FUTURE BRANCH I BYPASS

FUTURE BRANCH I PUMPS

BRANCH II PUMPS

DR-035 D-1893  
REFER TO C.O.W.  
DRAWING D-1893

FUTURE  
DD-052-BV  
FUTURE  
DD-052-BV  
FUTURE  
DD-052-BV



**LEGEND**

EXISTING PROCESS -----

NEW PROCESS \_\_\_\_\_

FUTURE PROCESS - - - - -

"U" - ULTRA-VIOLET PROCESS IDENTIFIER

"UVR" - ULTRA-VIOLET LIGHT REACTOR

"IHV" - INTERMEDIATE HEADER VALVE

"SIV" - SUPPLY ISOLATION VALVE

"FCV" - FLOW CONTROL VALVE



**ISSUED FOR TENDER**

B.M. ELEV.	EARTH TECH		CH2MHILL		ENGINEER'S SEAL  S.W. TORREY 12/14/03 REGISTERED PROFESSIONAL ENGINEER	<b>THE CITY OF WINNIPEG</b> Winnipeg WATER AND WASTE DEPARTMENT <b>DEACON ULTRAVIOLET (UV) LIGHT DISINFECTION PROJECT</b>	CITY FILE NUMBER
	DESIGNED BY: BL	CHECKED BY: SWT	DRAWN BY: JD	APPROVED BY: D.T.			SHEET 1 OF 21
NO. REVISIONS		DATE	DATE	DATE	CONSULTANT DRAWING NO. 63672-C5-P01	PROCESS - UV INSTALLATION PROCESS FLOW DIAGRAM	CITY DRAWING NUMBER D-8398
0 ISSUED FOR TENDER		03/12/12	BL	2003/10/20			