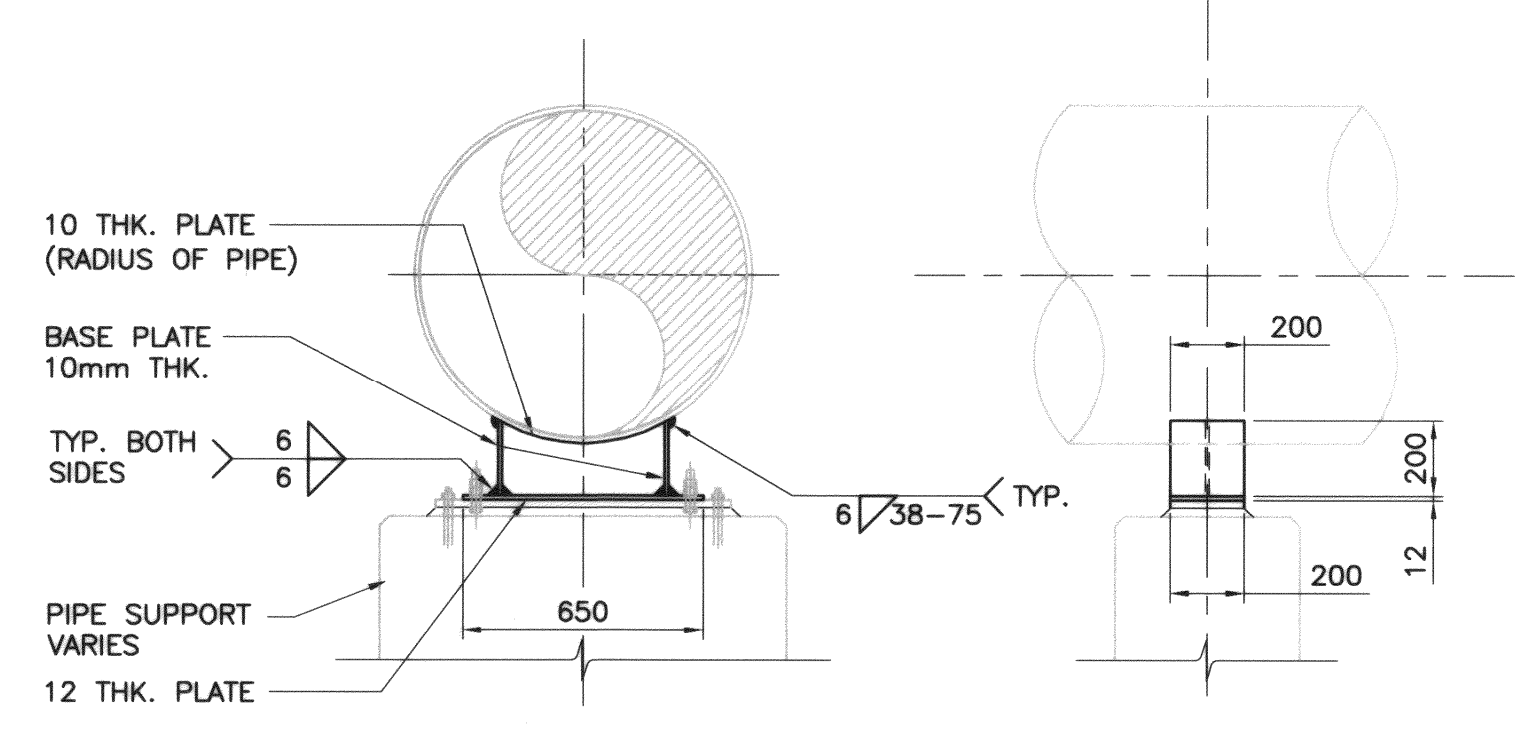
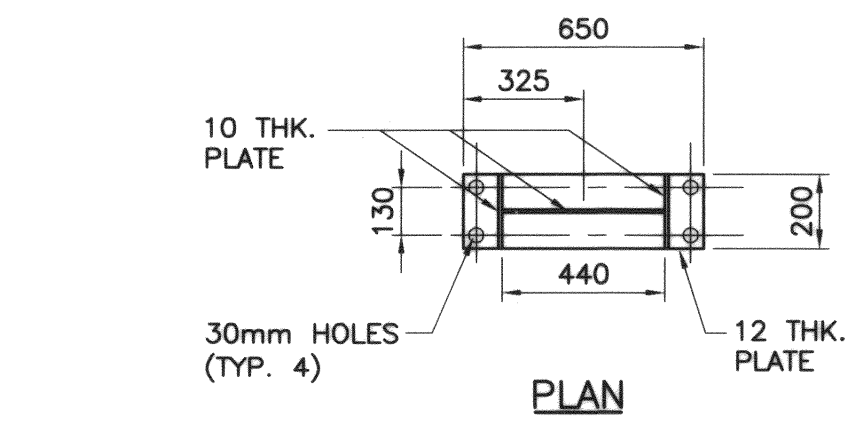
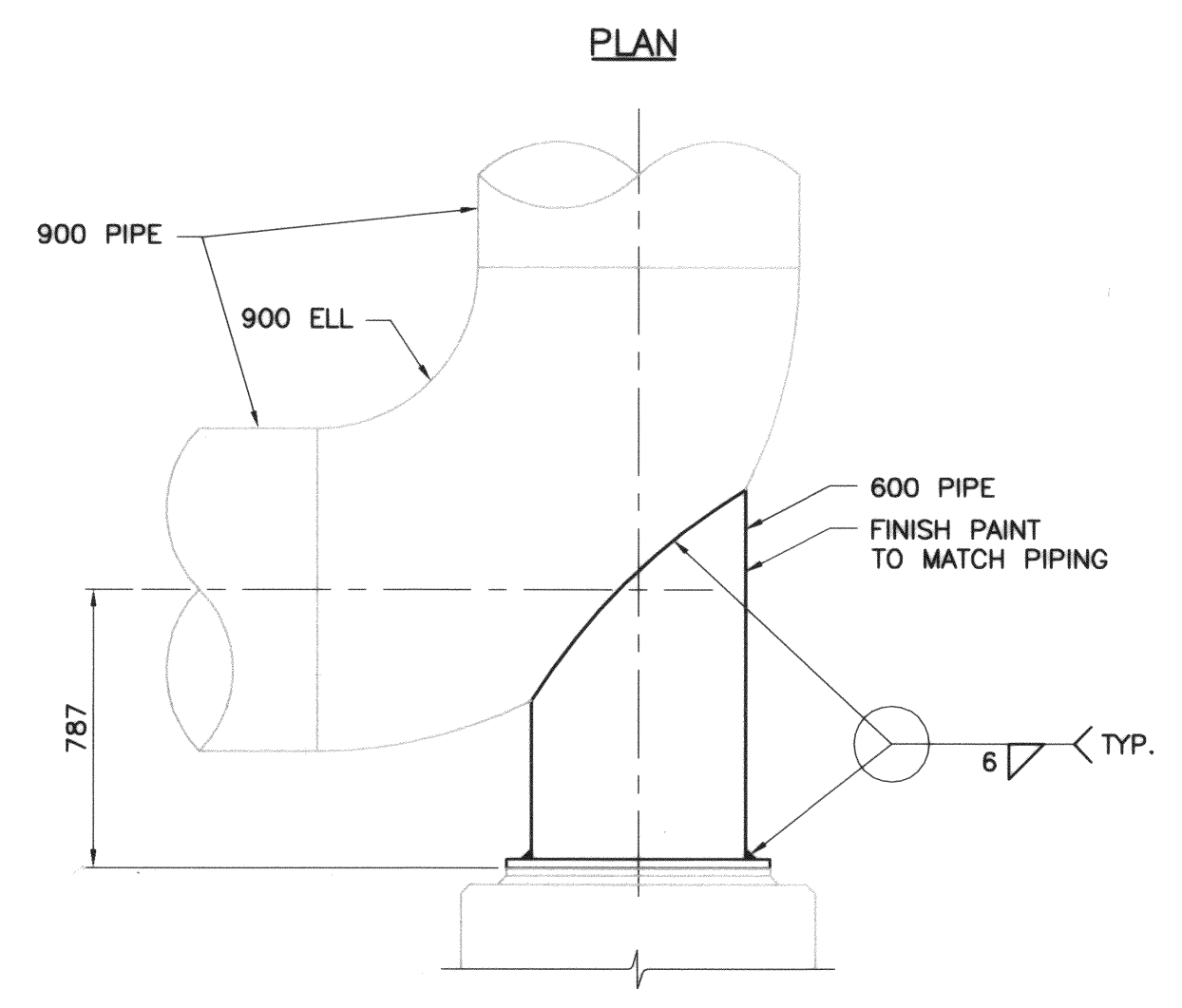
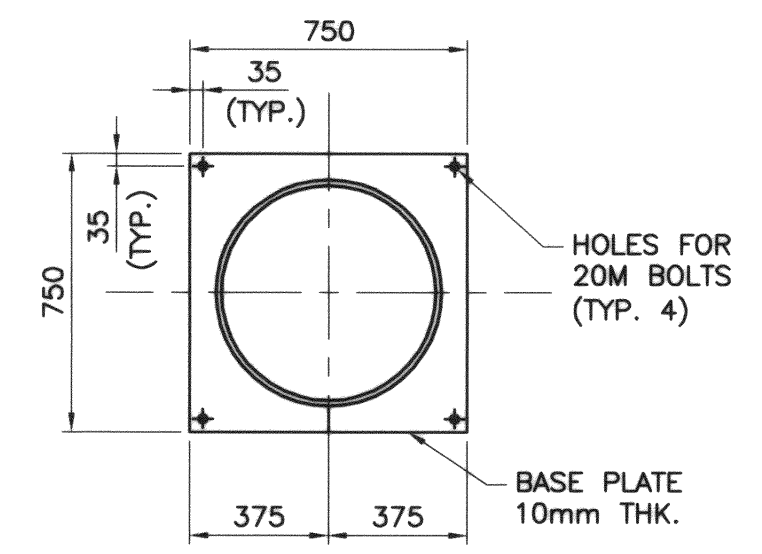


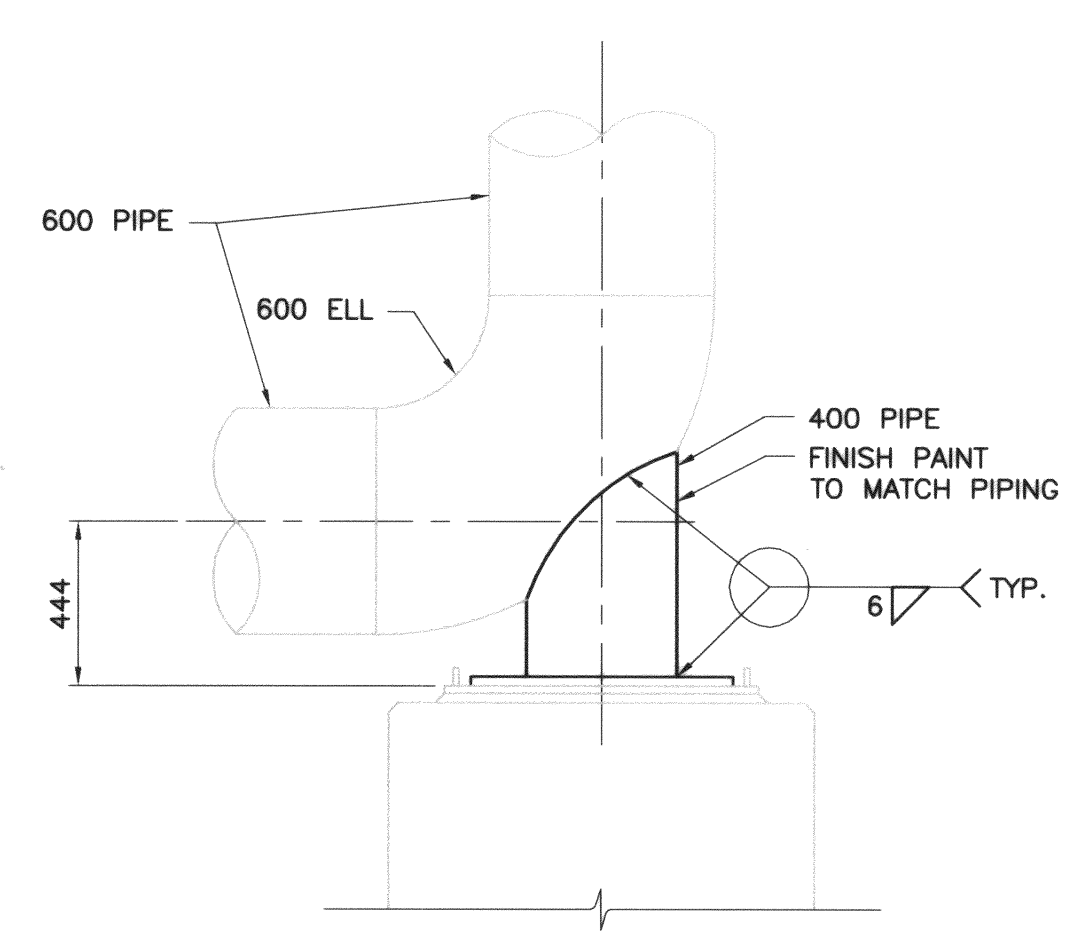
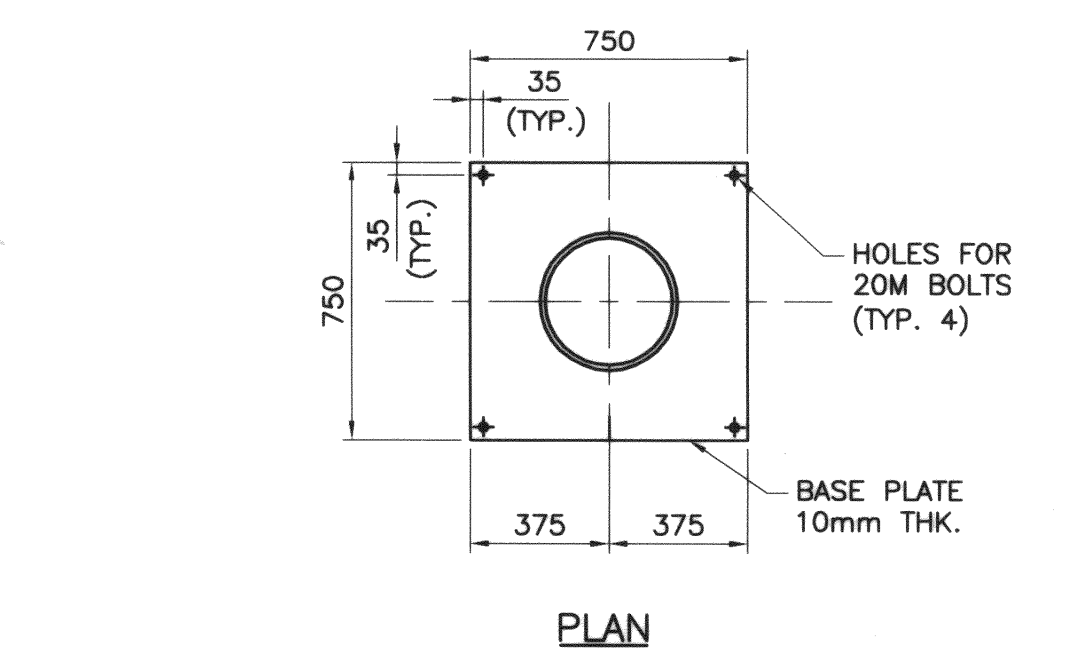
P:\121979 WINNIPEG\DRAWING\MECH-STRUCT\CP31.DWG DEC/15/2003 3:34 p.m. LAYOUT: Layout1 USER: trohl
 SHEET: C:\p1\121979



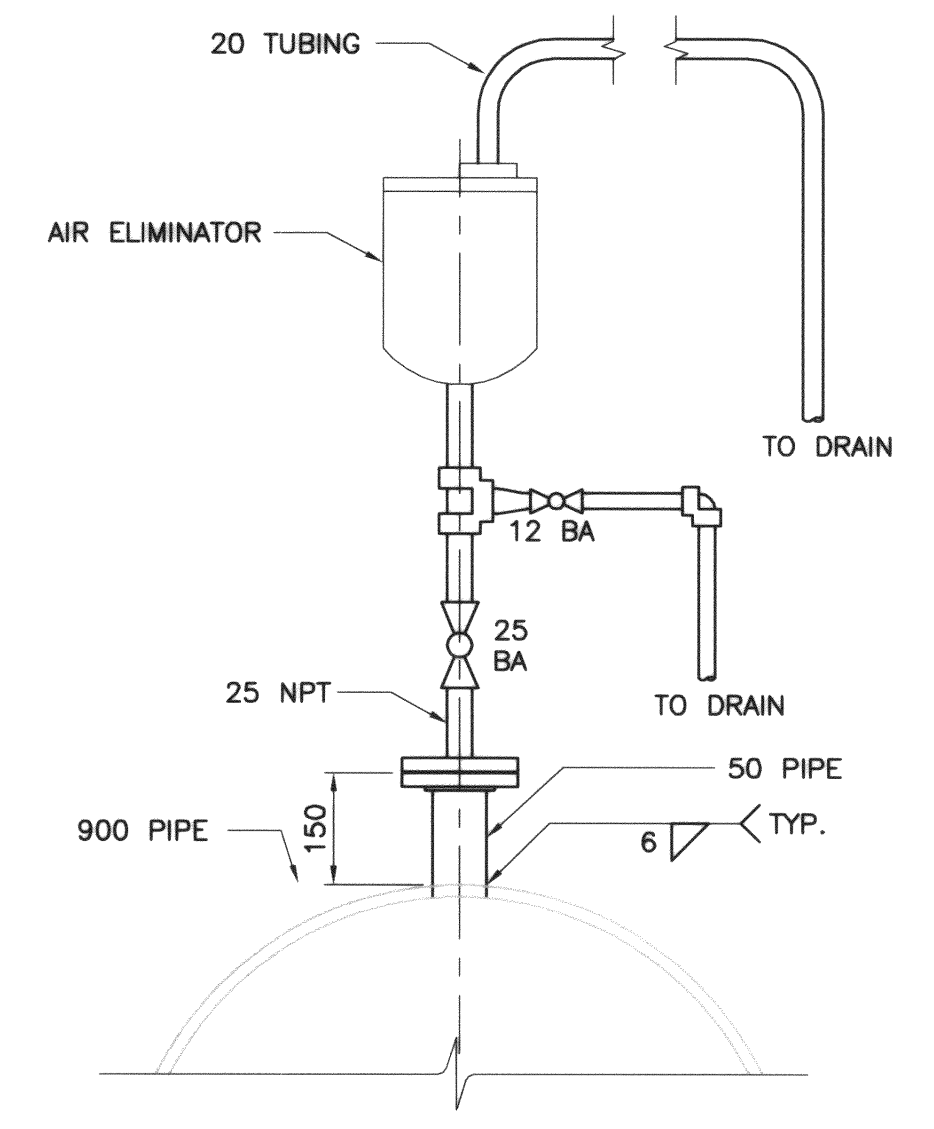
1 PIPE SHOE DETAIL
SCALE 1:20



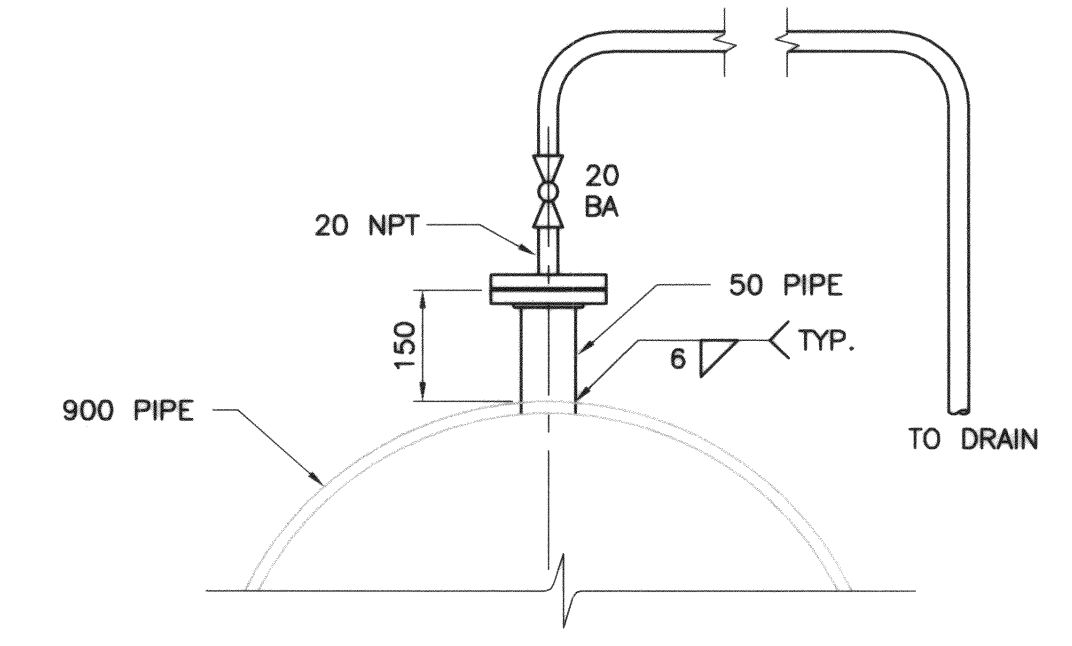
2 PIPE SUPPORT DETAIL
SCALE 1:20



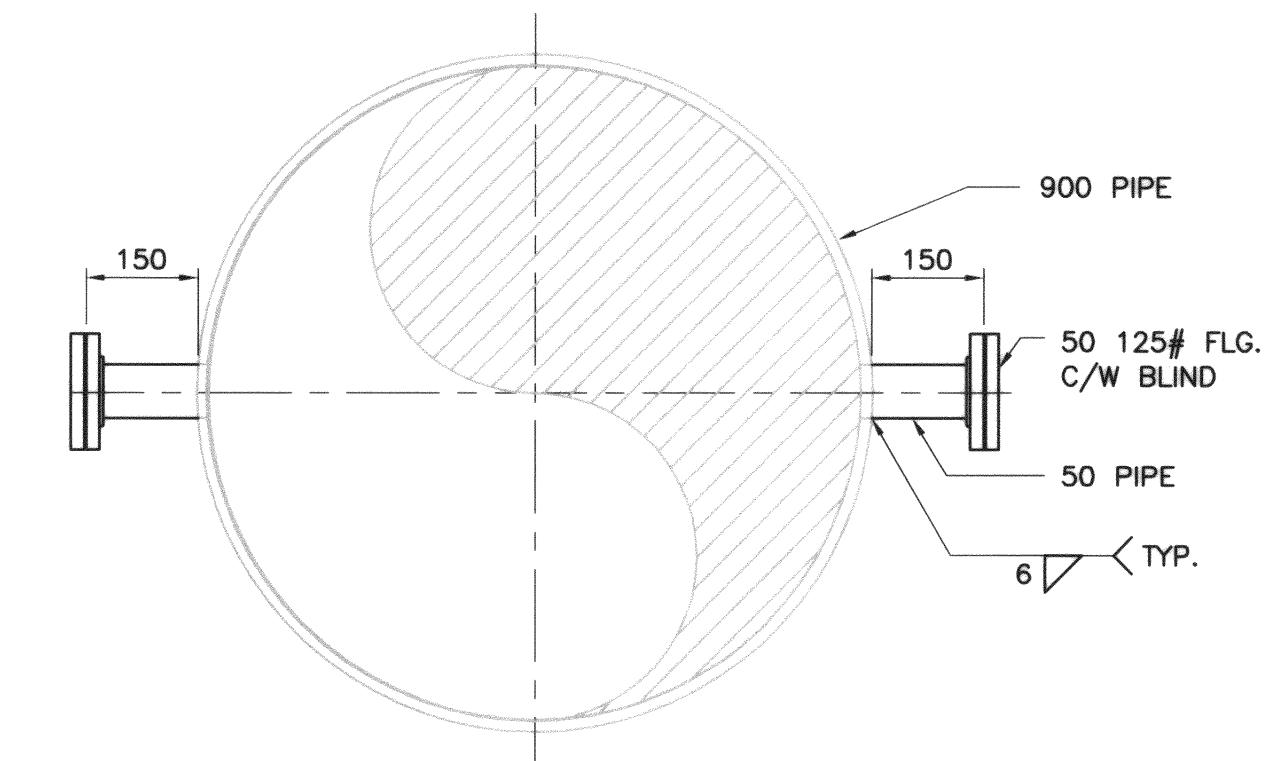
3 PIPE SUPPORT DETAIL
SCALE 1:20



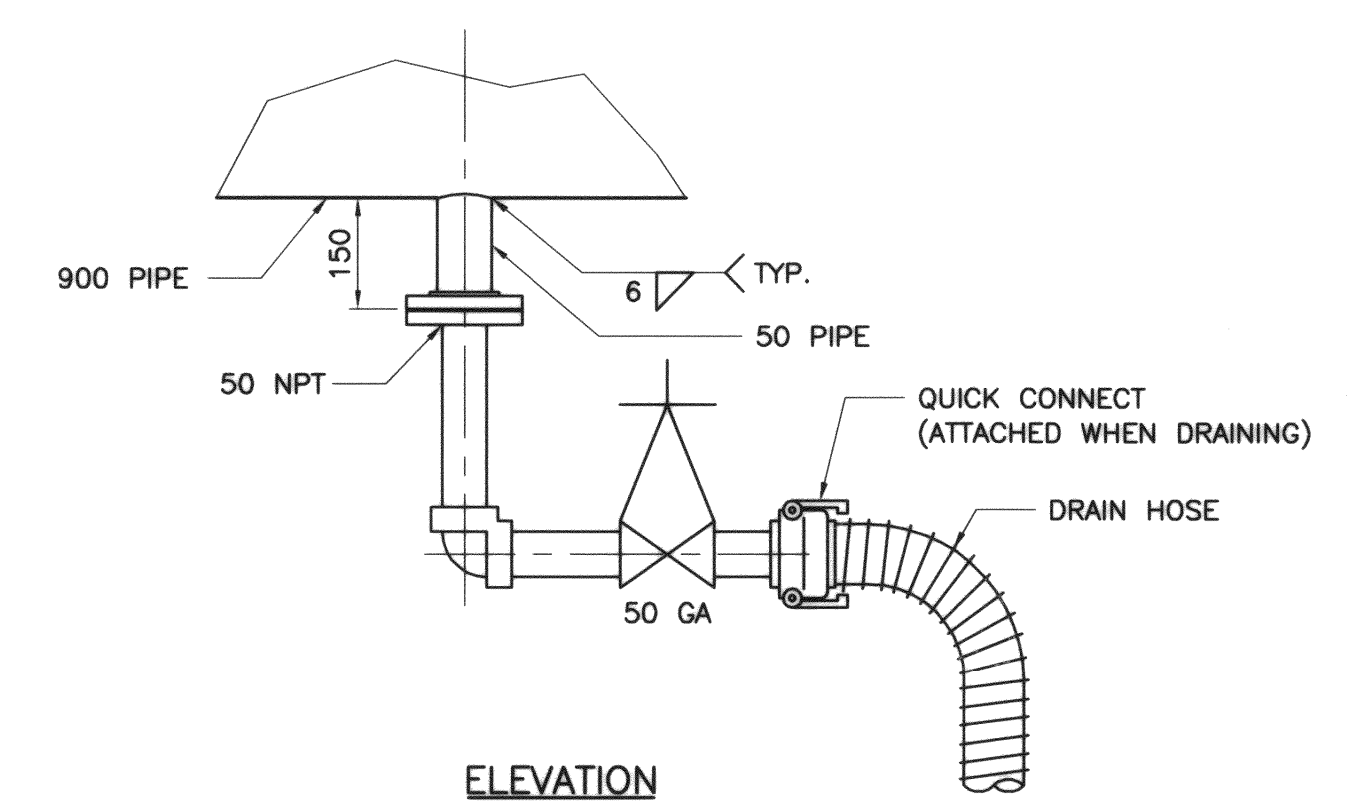
4 HIGH VENT POINT (H.V.P.)
SCALE 1:10



5 LOW VENT POINT (L.P.V.)
SCALE 1:10



6 INJECTION/SAMPLE NOZZLE TYPICAL
SCALE 1:10



7 DRAIN (DRN.)
SCALE 1:10

APEGM
Certificate of Authorization
Earth Tech Canada Inc.
No. 730 Expiry: April 30, 2004

B.M. ELEV.	EARTH TECH		CH2MHILL		ENGINEER'S SEAL
	DESIGNED BY	TAR	CHECKED BY	DT	
	DRAWN BY	TAR	APPROVED BY	DKC	
	HOR. SCALE: AS SHOWN		RELEASED FOR CONSTRUCTION BY:		
0	ISSUED FOR TENDER	03/12/12	TAR	DATE	2003/09/01
NO.	REVISIONS	DATE	BY	DATE	DATE

THE CITY OF WINNIPEG
Winnipeg WATER AND WASTE DEPARTMENT

DEACON ULTRAVIOLET (UV) LIGHT DISINFECTION PROJECT

PROCESS - UV INSTALLATION PIPING DETAILS

CITY FILE NUMBER
SHEET 21 OF 21
CITY DRAWING NUMBER
D-8418

CONSULTANT DRAWING NO. 63672-C5-P31