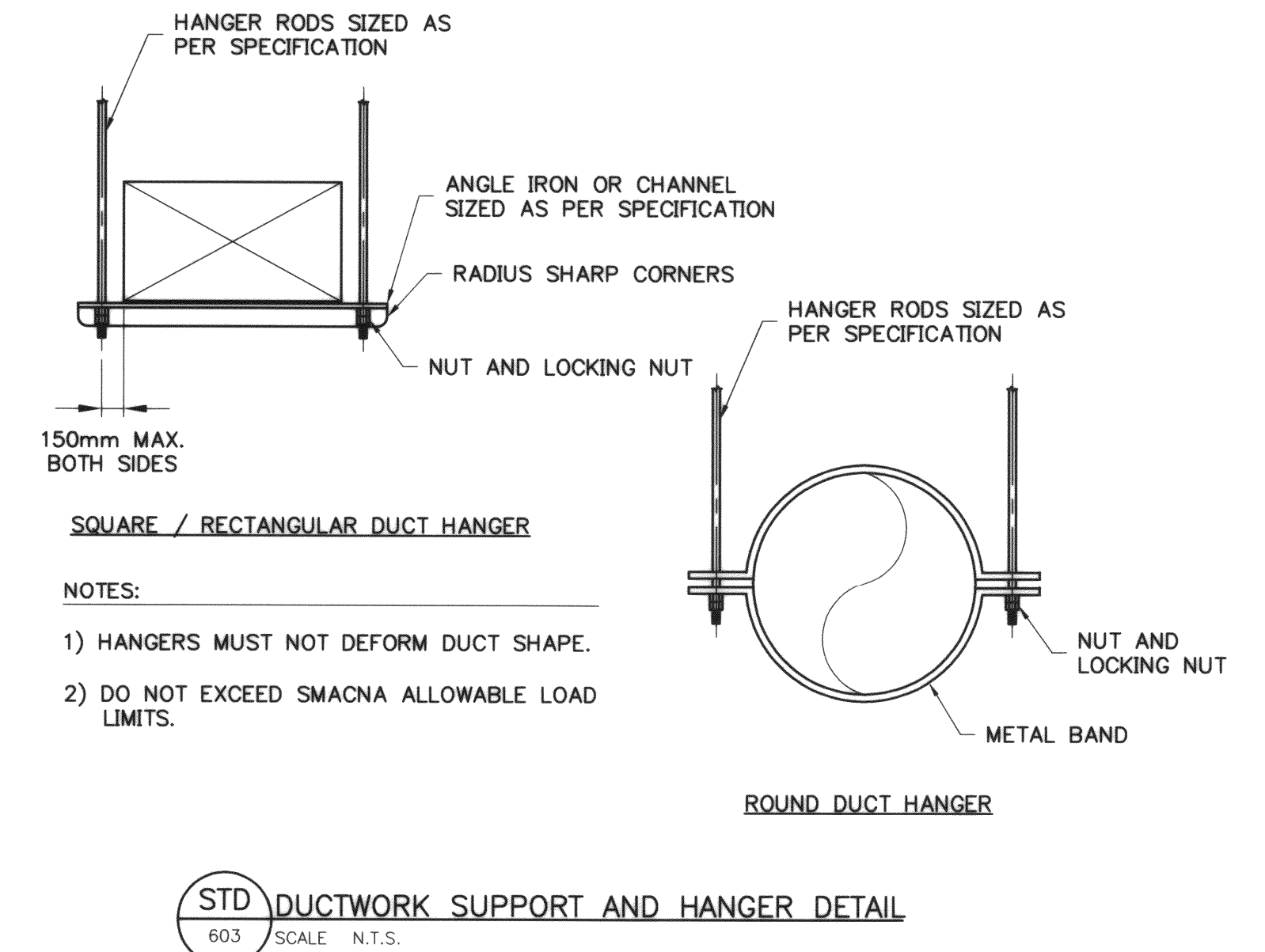
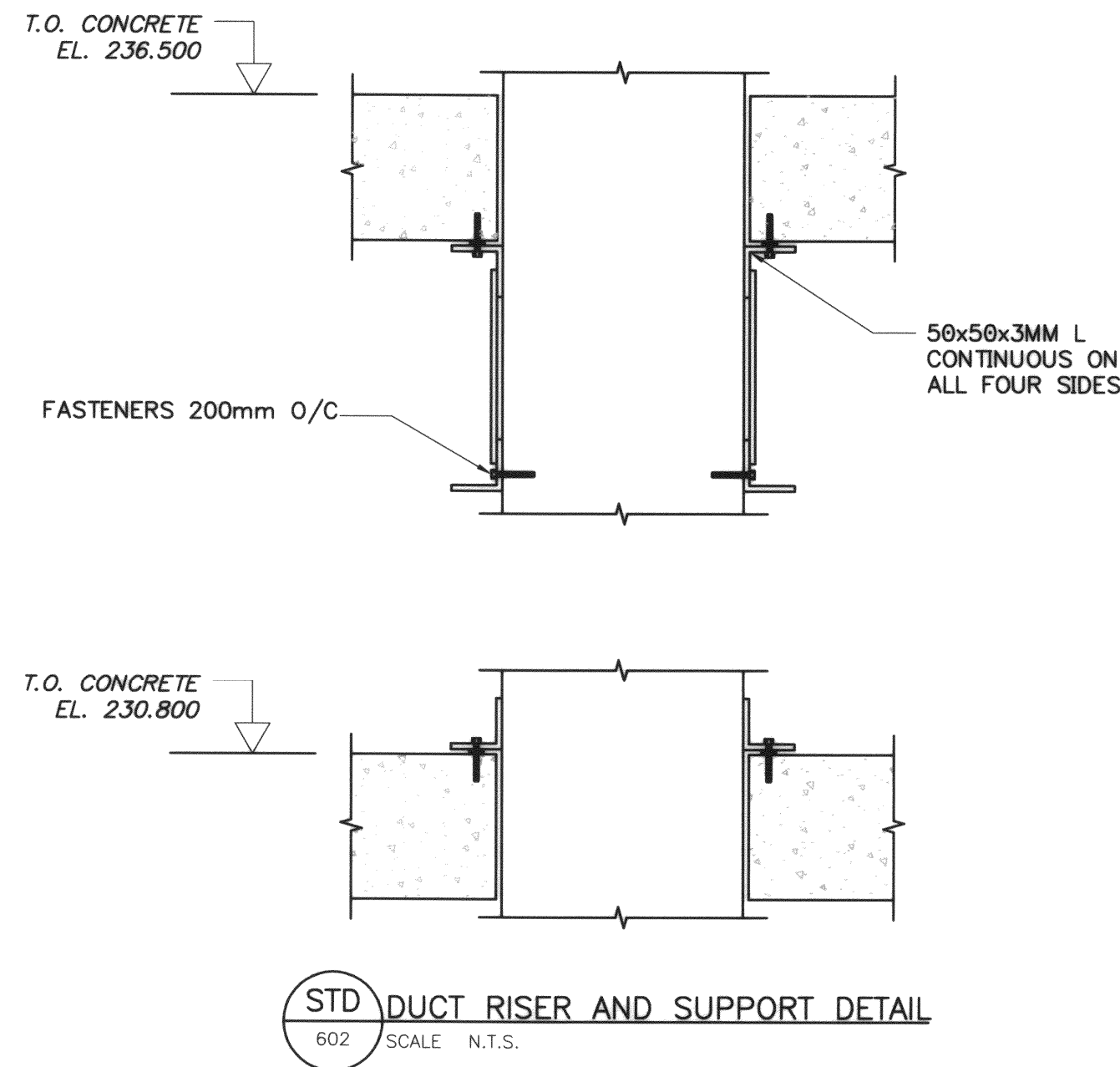
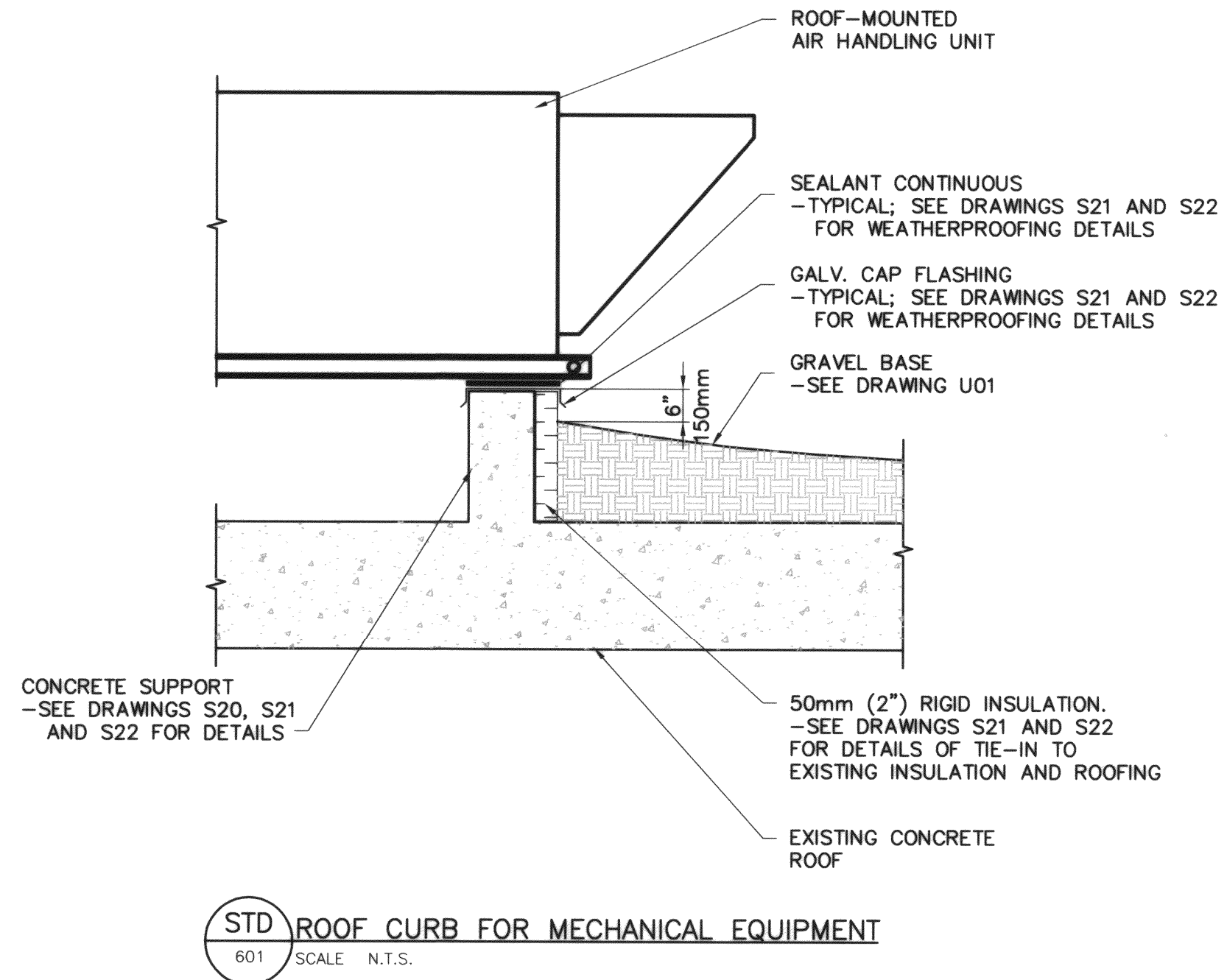


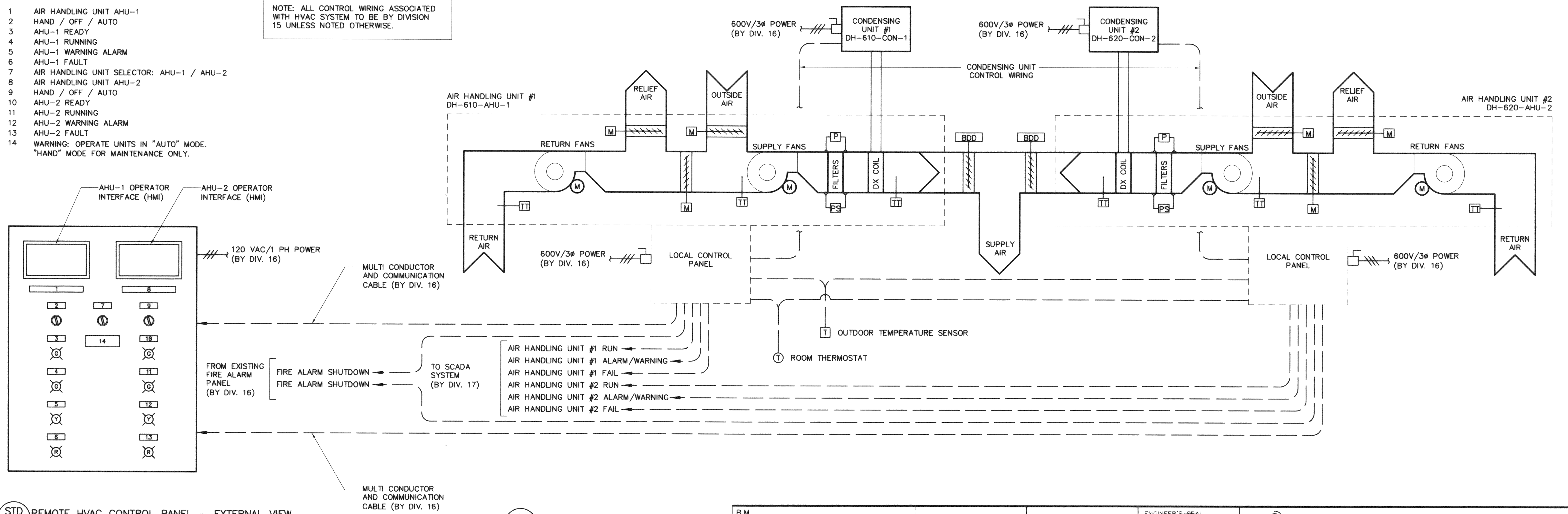
SHEET: 08H-41- (1/2000)



**LAMACOID LEGEND**

- 1 AIR HANDLING UNIT AHU-1
- 2 HAND / OFF / AUTO
- 3 AHU-1 READY
- 4 AHU-1 RUNNING
- 5 AHU-1 WARNING ALARM
- 6 AHU-1 FAULT
- 7 AIR HANDLING UNIT SELECTOR: AHU-1 / AHU-2
- 8 AIR HANDLING UNIT AHU-2
- 9 HAND / OFF / AUTO
- 10 AHU-2 READY
- 11 AHU-2 RUNNING
- 12 AHU-2 WARNING ALARM
- 13 AHU-2 FAULT
- 14 WARNING: OPERATE UNITS IN "AUTO" MODE. "HAND" MODE FOR MAINTENANCE ONLY.

NOTE: ALL CONTROL WIRING ASSOCIATED WITH HVAC SYSTEM TO BE BY DIVISION 15 UNLESS NOTED OTHERWISE.

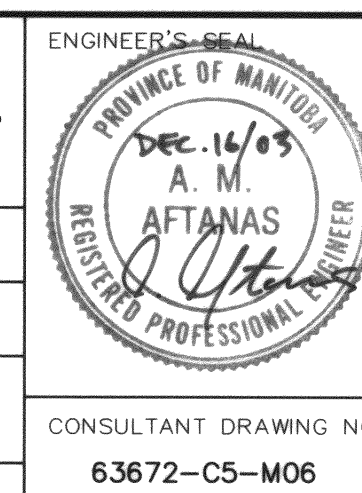


**STD REMOTE HVAC CONTROL PANEL - EXTERNAL VIEW**  
604 SCALE N.T.S.

**STD ROOF TOP UNIT SCHEMATIC**  
605 SCALE N.T.S.



B.M. ELEV.	EARTH TECH		CH2MHILL	
	DESIGNED BY: AMA, JDB	CHECKED BY: AMA		
	DRAWN BY: DL, DC	APPROVED BY: D.T.		
	HOR. SCALE: NTS		RELEASED FOR CONSTRUCTION BY:	
	VERTICAL SCALE:			
0 ISSUED FOR TENDER	03/12/12	DL		
NO. REVISIONS	DATE	BY	DATE	2003/11/17



**THE CITY OF WINNIPEG**  
Winnipeg WATER AND WASTE DEPARTMENT

**DEACON ULTRAVIOLET (UV) LIGHT DISINFECTATION PROJECT**

MECHANICAL - HVAC UPGRADE DETAILS  
SHEET 1 OF 2

CITY FILE NUMBER: SHEET 6 OF 7  
CITY DRAWING NUMBER: D-8424