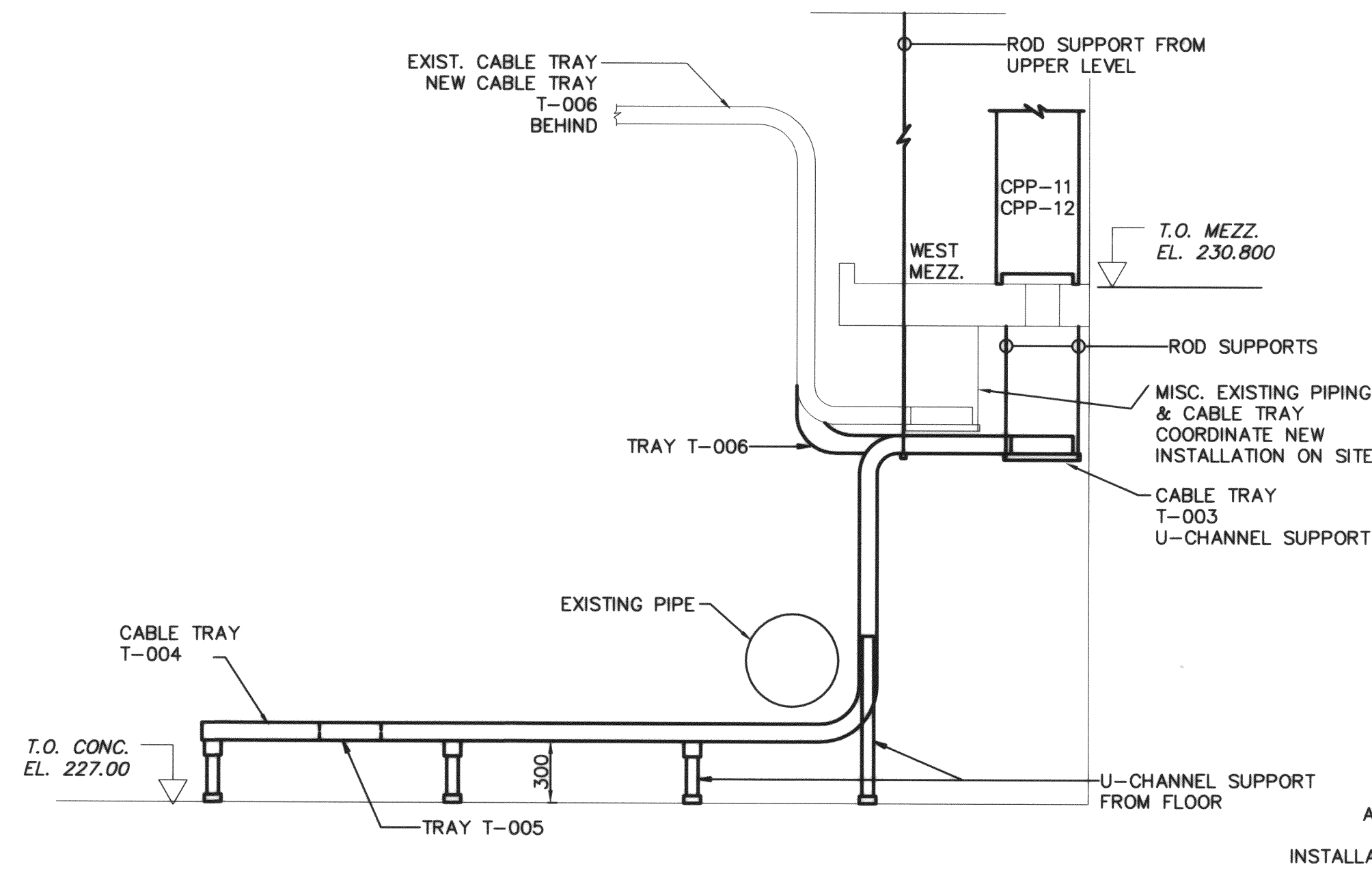
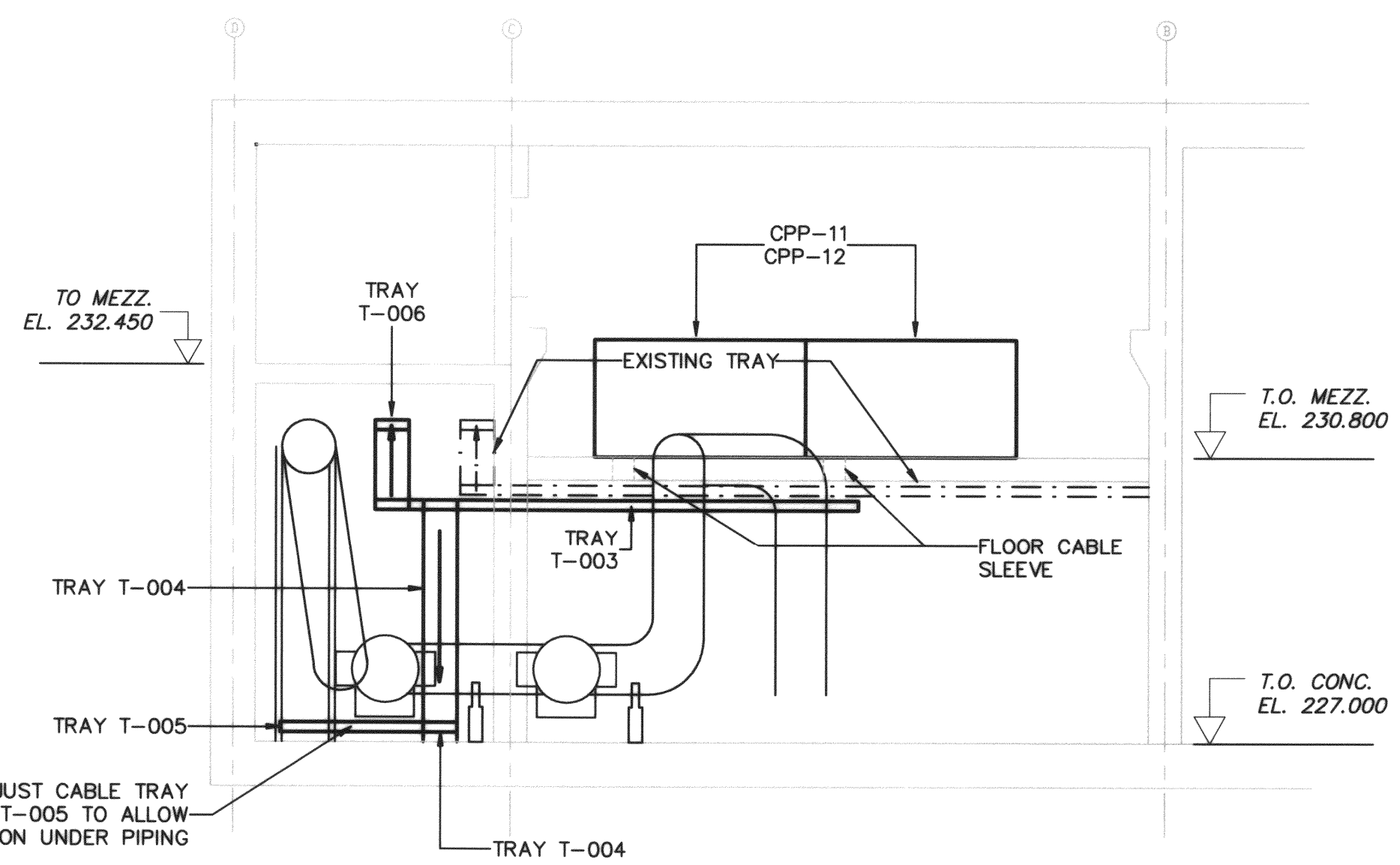


SHEET: DW-A1- (1/2003)

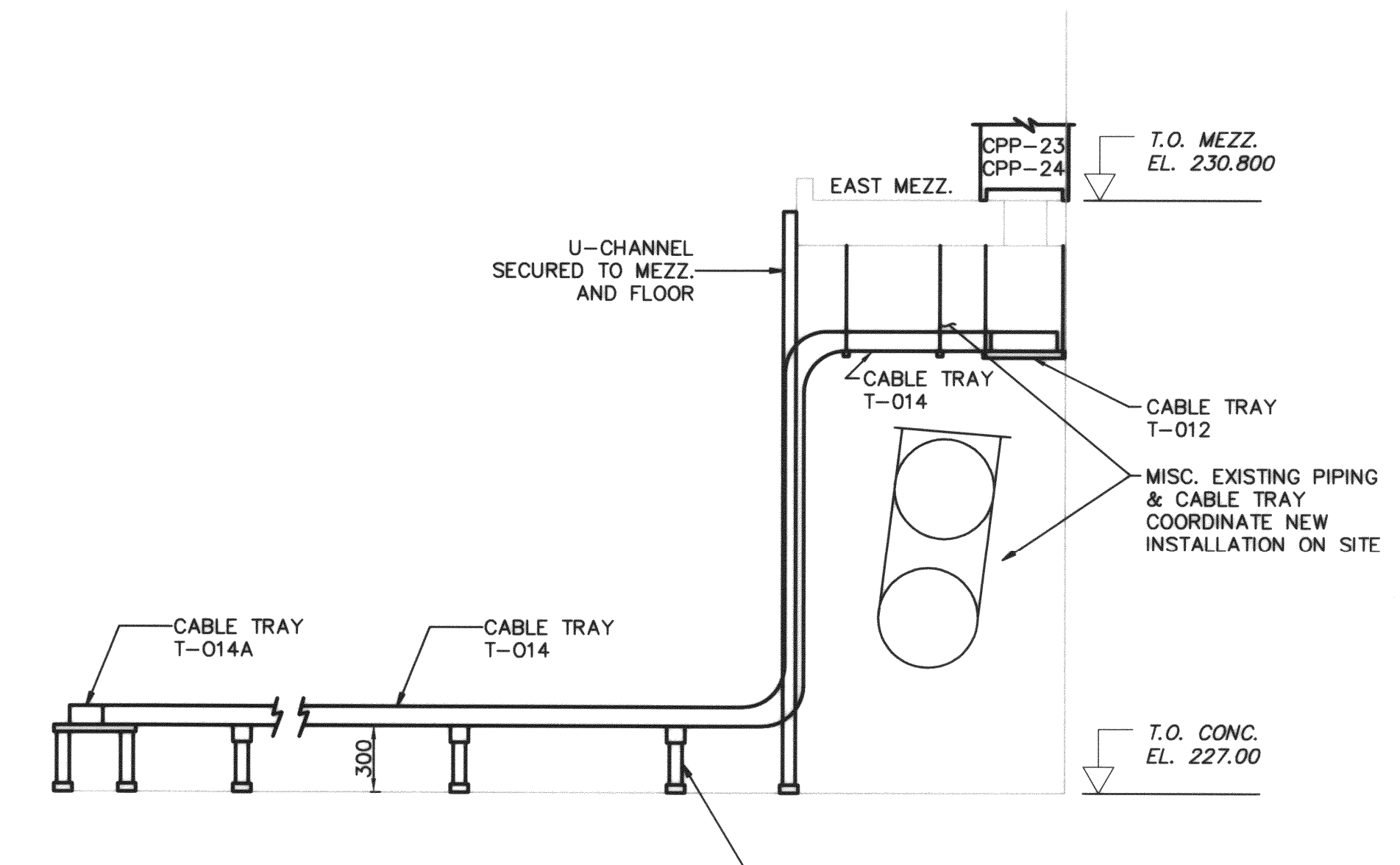


1 SECTION
E03 | E07 SCALE 1:50

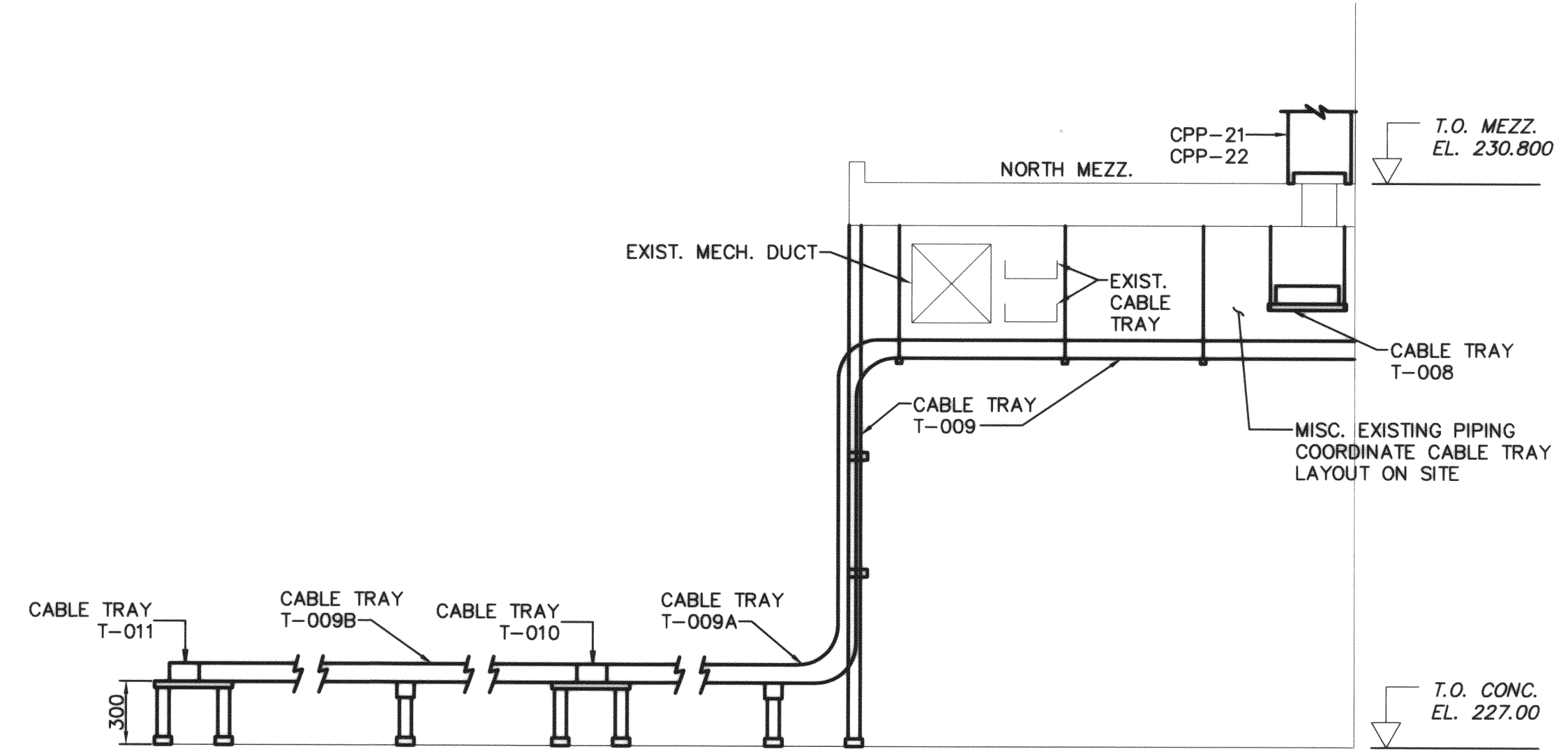


**WEST MEZZ. CABLE TRAY
LOOKING WEST**

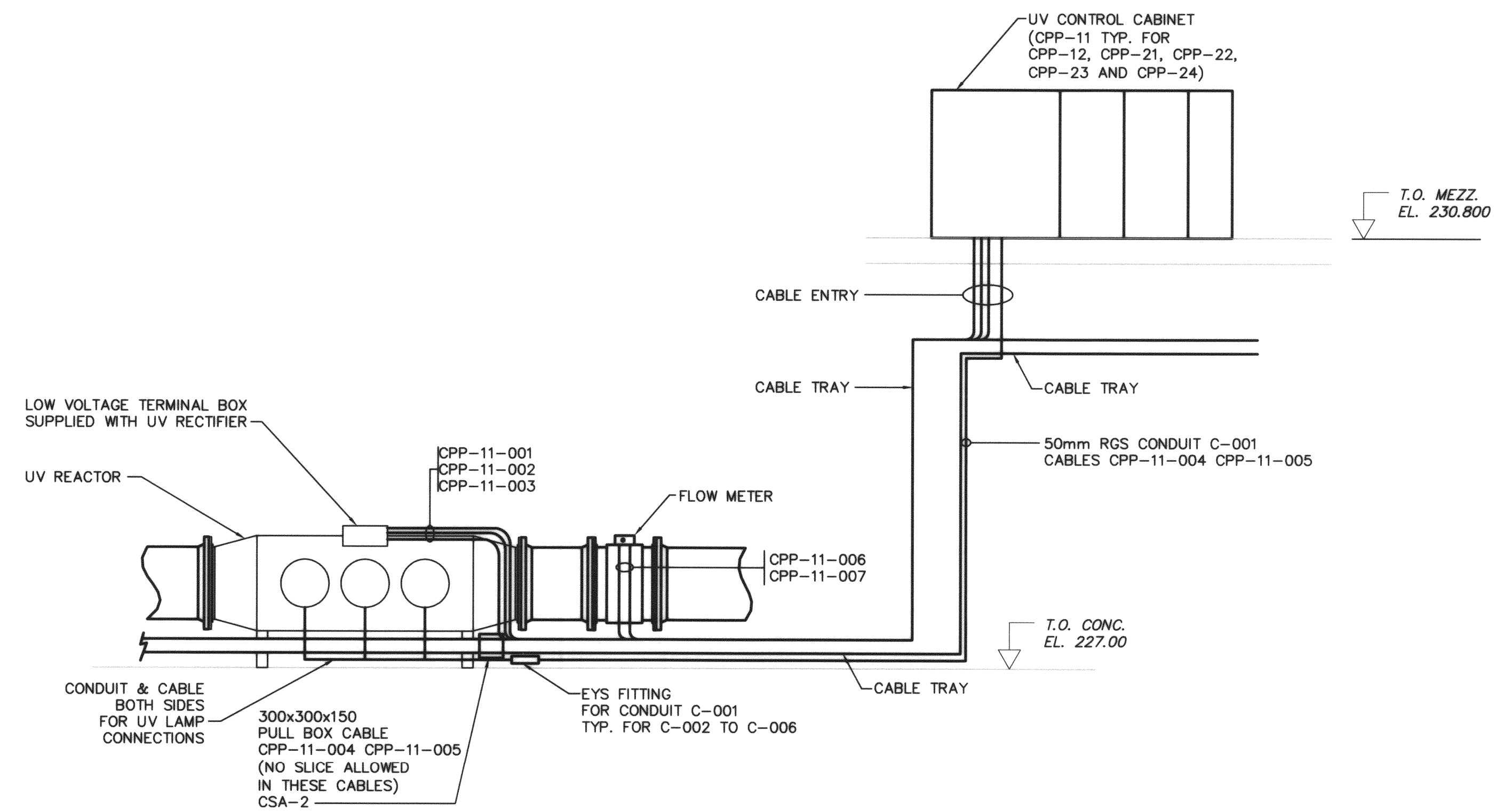
2 SECTION
E03 | E07 SCALE 1:100



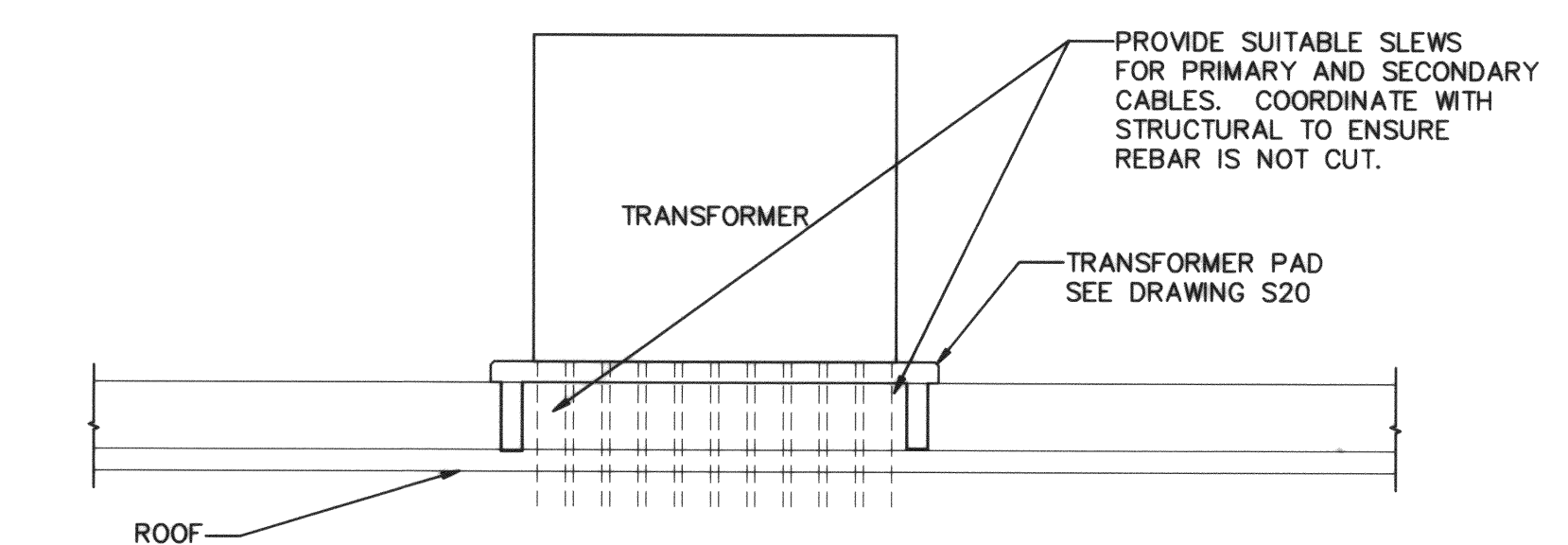
3 SECTION
E03 | E07 SCALE 1:50



4 SECTION
E03 | E07 SCALE 1:50



A DETAIL - CONNECTION ARRANGEMENT CPP-11 TO UVR-1100
E03 | E07 SCALE 1:50 (SIMILAR FOR ALL CPP-UVR SYSTEMS)



B DETAIL - TRANSFORMER AND PAD ARRANGEMENT
E04 | E07 SCALE 1:50

APEGM
Certificate of Authorization
Earth Tech Canada Inc.
No. 730 Expiry: April 30, 2004

B.M. ELEV.	EARTH TECH Earth Tech (Canada) Inc. Winnipeg, Manitoba R2L 4T7 2003	CH2MHILL	ENGINEER'S SEAL S.W. TORMEY REGISTERED PROFESSIONAL ENGINEER 12/16/03	THE CITY OF WINNIPEG Winnipeg WATER AND WASTE DEPARTMENT
DESIGNED BY: GSN	CHECKED BY: SWT	CONSULTANT DRAWING NO.: 63672-C5-E06	CITY FILE NUMBER	
DRAWN BY: DS	APPROVED BY: D.T.	RELEASED FOR CONSTRUCTION BY:	SHEET 6 OF 7	
HOR. SCALE: AS SHOWN	VERTICAL SCALE:		CITY DRAWING NUMBER	
0 ISSUED FOR TENDER	03/12/12 DC	DATE: 2003/10/22	UV INSTALLATION ELECTRICAL - DETAILS CABLE TRAY SECTIONS AND UV CONNECTION ARRANGEMENT	
NO. REVISIONS	DATE	DATE	D-8435	