

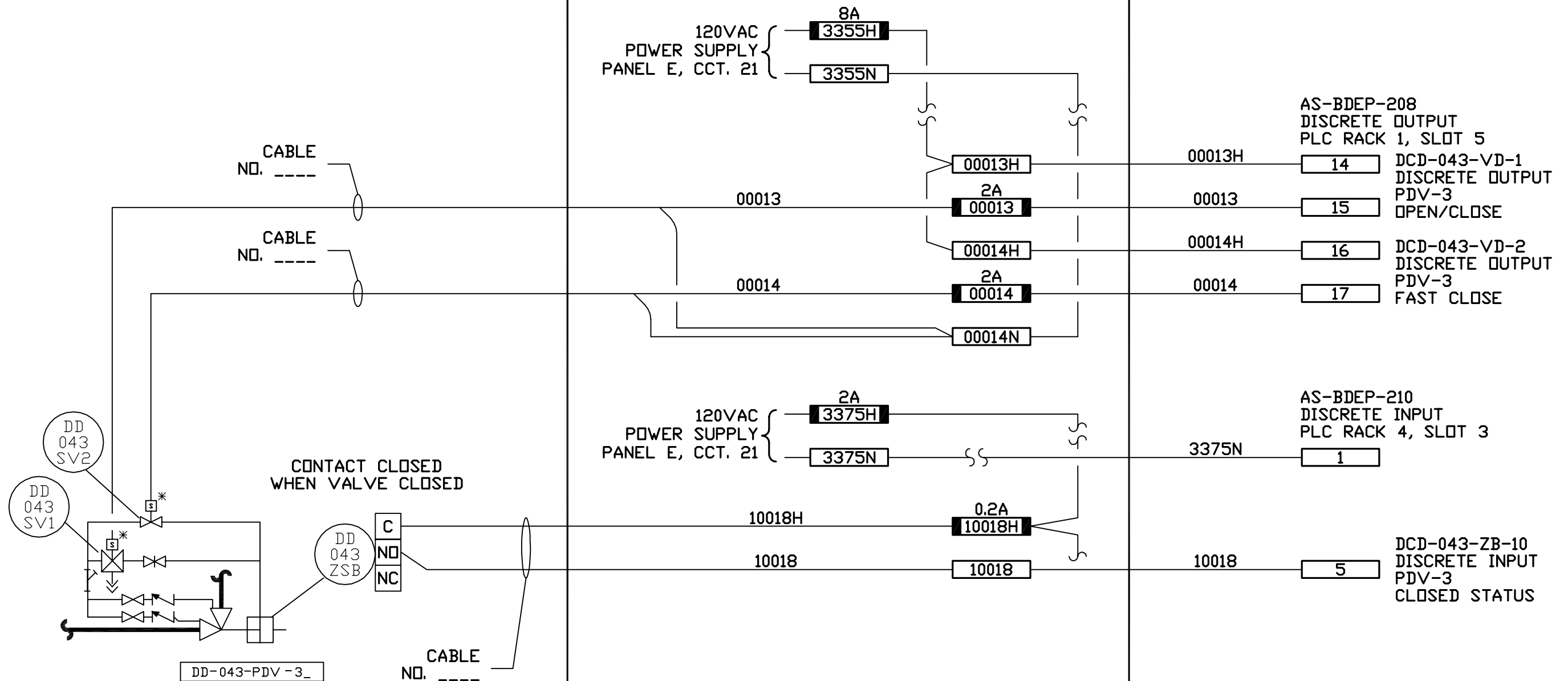
INSTRUMENT LOOP DIAGRAM

LOOP NO.: REFER TO INSTRUMENT INDEX

FIELD

PUMP CONTROL PANEL LCP 3

PUMP 3 PLC



* DE-ENERGIZE TO CLOSE VALVE.

NOTE:

EARTH TECH
 A tyco INTERNATIONAL LTD. COMPANY
 Earth Tech (Canada) Inc. Winnipeg, Manitoba 204.477.5381

THE CITY OF WINNIPEG
 WATER AND WASTE DEPARTMENT
 DECON BOOSTER PUMPING STATION UPGRADE CONTRACT #5
 INSTRUMENT LOOP DIAGRAM

SCALE: NTS
 DATE: DEC. 3, 2003
 DES: BL DWN JD
 CKD: APP

REV	DATE	REVISION	APP.
0	03/12/12	ISSUED FOR TENDER	

DEACON BOOSTER PUMPING STATION
 LCP3 - PUMP DISCHARGE VALVE PDV-3
 NEW CONTROL WIRING

DRAWING NO.
 ILD08