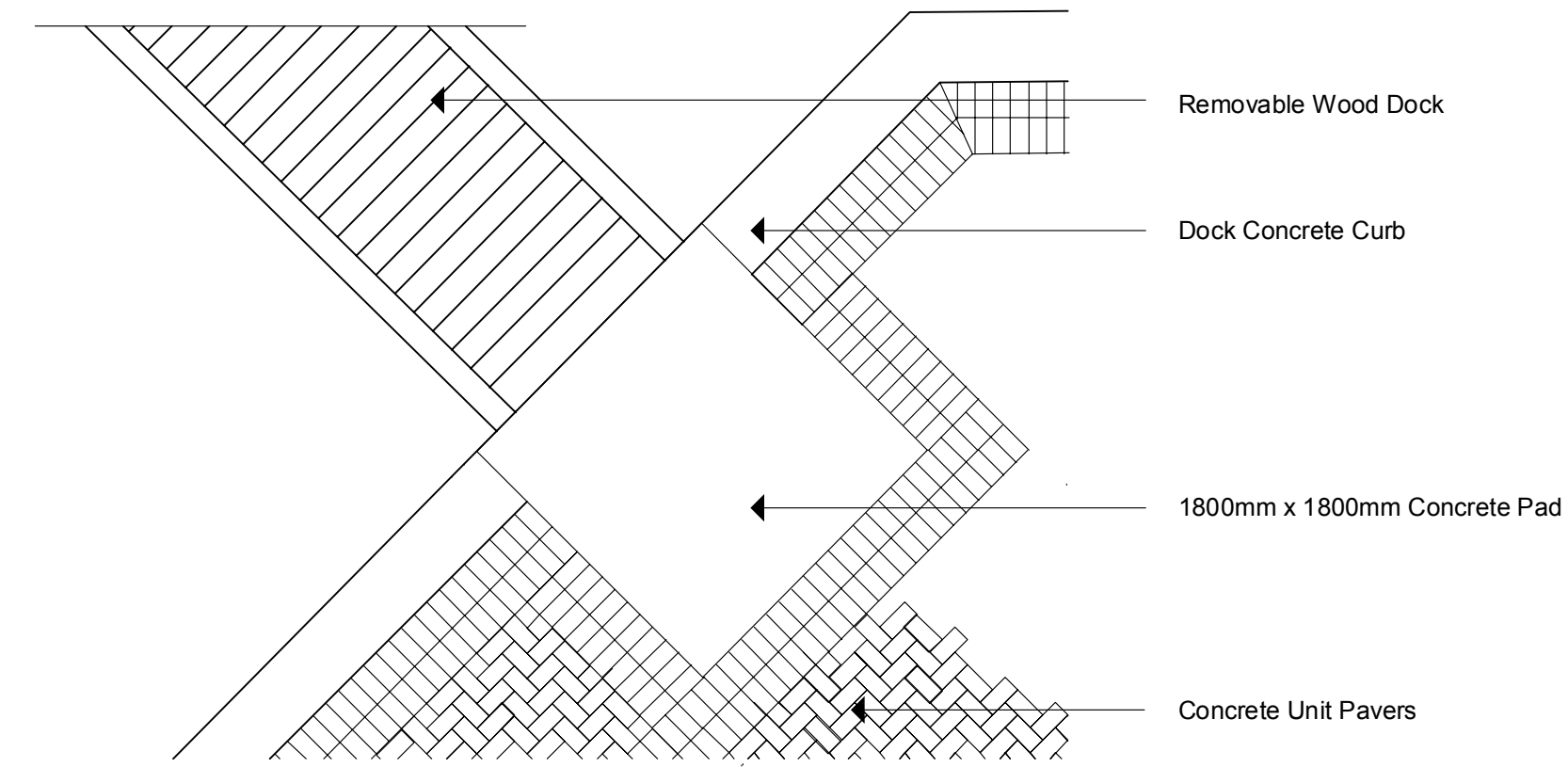
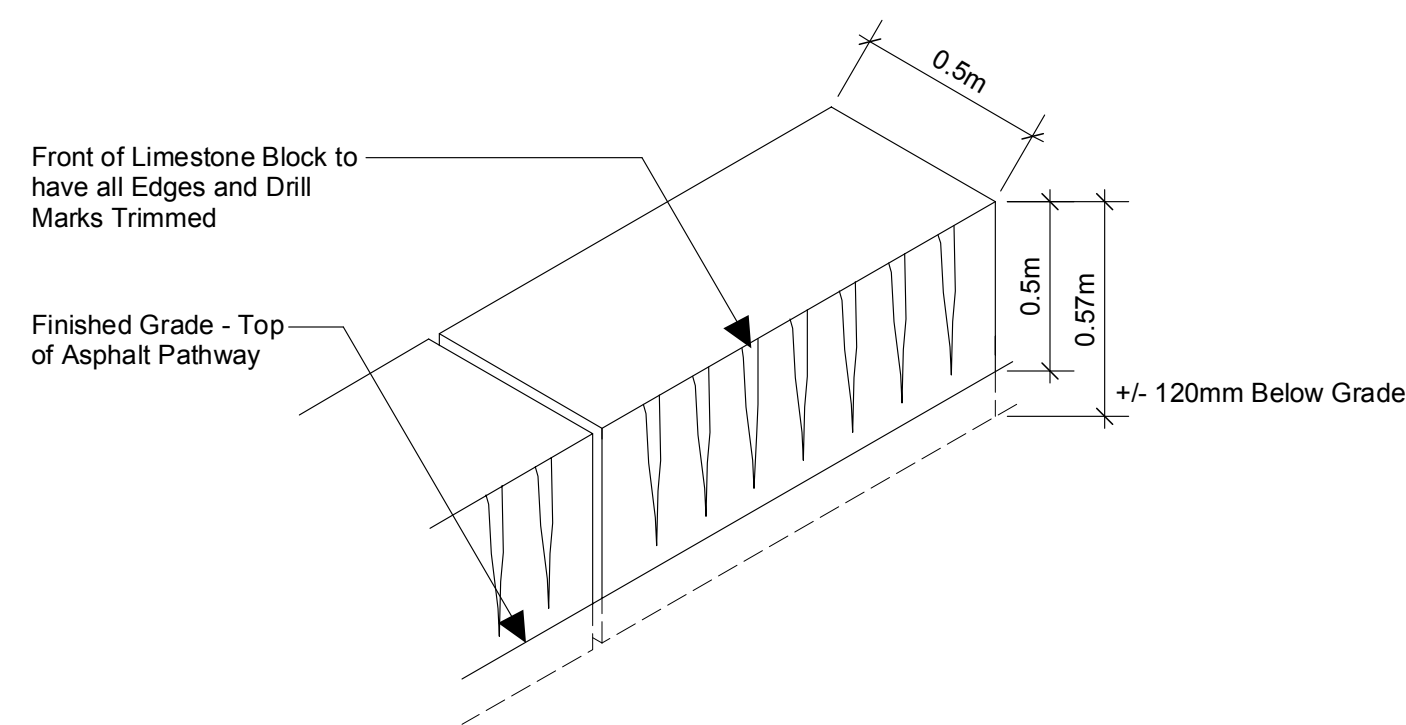


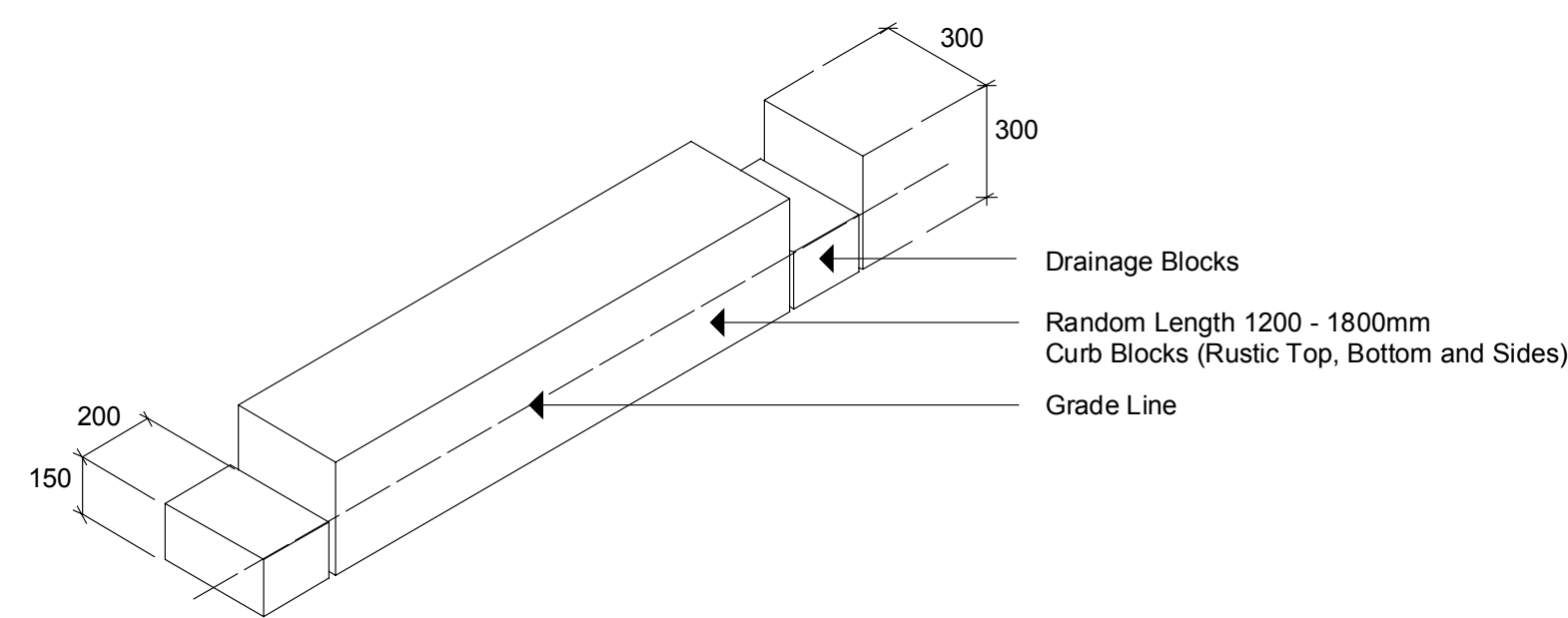
1 Section through Asphalt Path
L4 scale 1:20



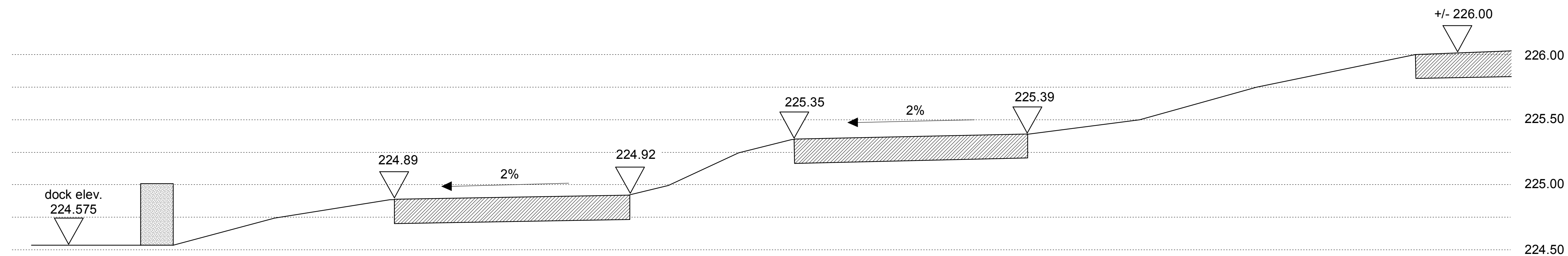
4 Dock Paving Detail
L4 scale 1:40



2 Axonometric of Limestone Block Retaining Wall
L4 scale 1:20



5 Axonometric of Limestone Block Curb
L4 scale 1:20



3 Cross-Section through Ramp
L4 scale 1:20

NOTES:
FOR BIDDING PURPOSES ONLY

NO.	D / M / Y	DESCRIPTION	BY
REVISIONS / ISSUE			
A. SECTION LETTER OR DETAIL NUMBER			
B. DRAWING WHERE SECTION OR DETAIL IS DRAWN OR DRAWING WHERE SECTION OR DETAIL WAS INDICATED			
A			A
B			-
- SECTION OR DETAIL SHOWN ON SAME DRAWING			

KGS GROUP CONSULTING ENGINEERS & PROJECT MANAGERS
WINNIPEG (204) 896-1209
THUNDER BAY (807) 345-2233

SCATLIFF + MILLER + MURRAY
landscape architecture urban design golf course architecture
8th floor 44 princess street, winnipeg, mb., r3b 1k2, tel: 204-927-3444 fax: 204-927-3443

CLIENT:
**COALITION ACCES RIVIERE
RIVER ACCESS COALITION (CARRAC)**

PROJECT:
CARRAC - NORWOOD GROVE DOCK

DWG. DESCRIPTION:
LANDSCAPE DETAILS

LANDSCAPE ARCHITECT'S STAMP	Designed By: C.A.	Drawn By: C.A.
	Checked By: D.M.	Checked By: D.M.
	Approved By: D.M.	
Scale: As Noted	Date: Dec 15 / 2003	
SMM Dwg File Ref: 324	SMM Dwg No: L4	

CLIENT DWG. NO. REV: 0