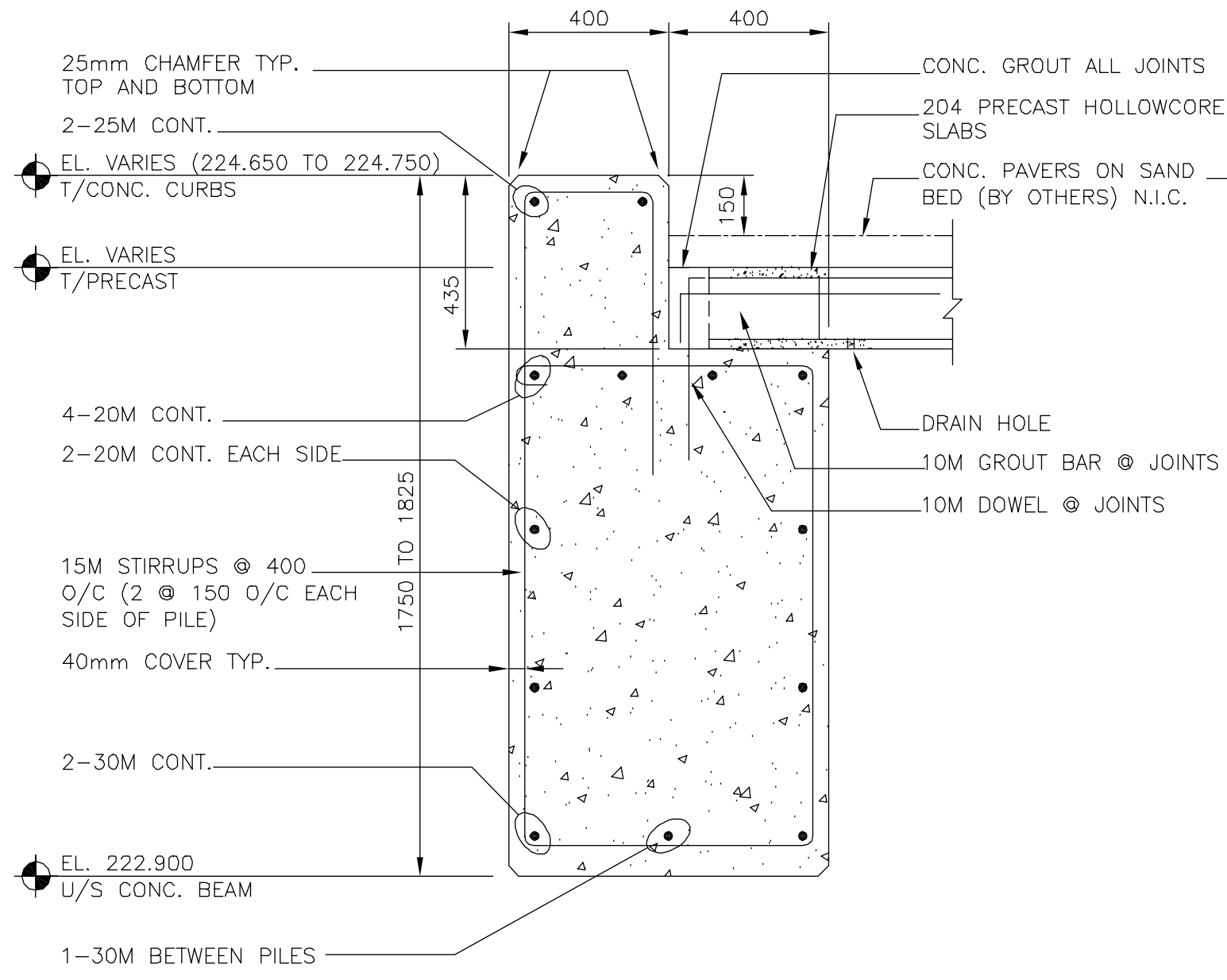
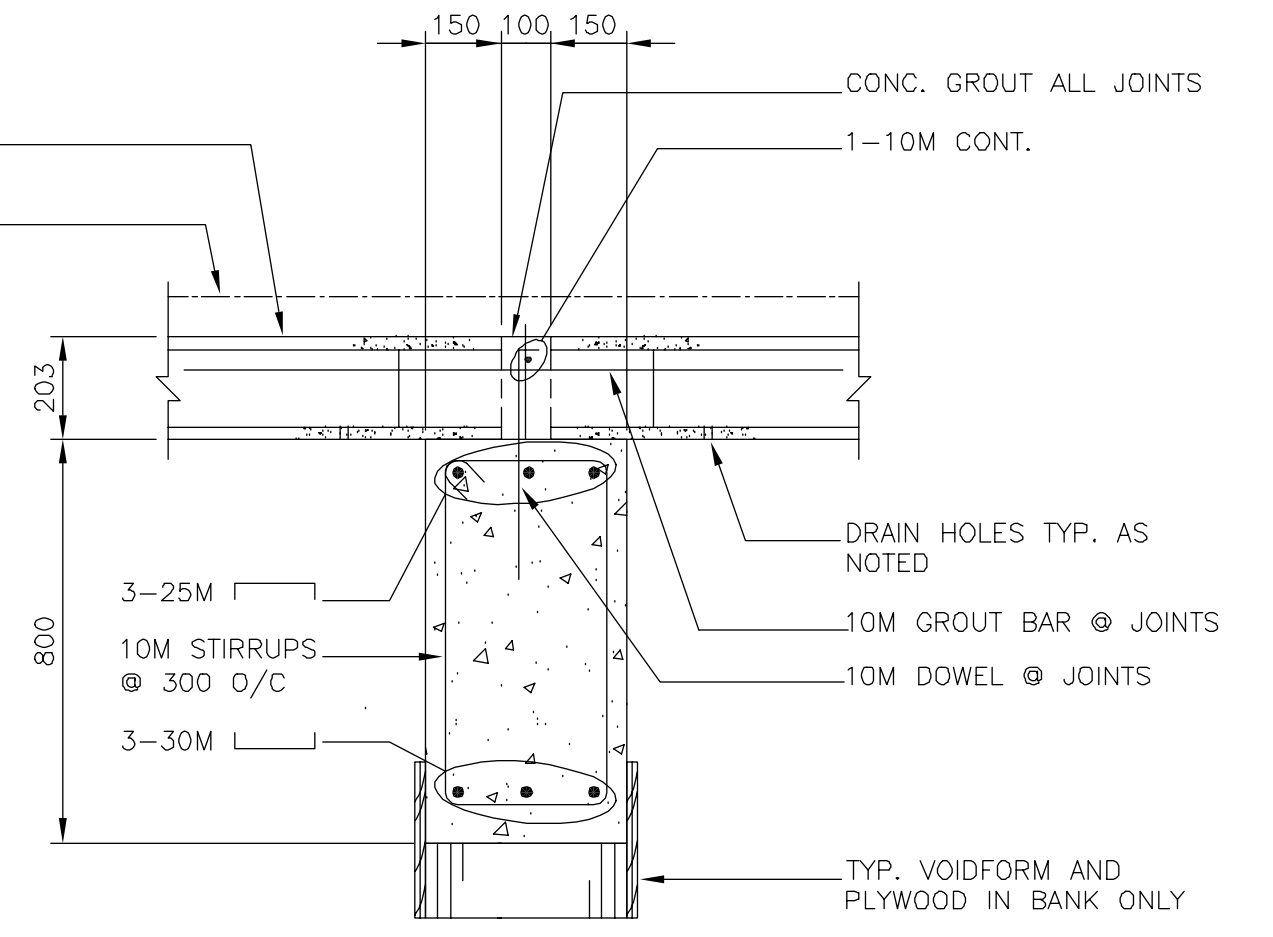


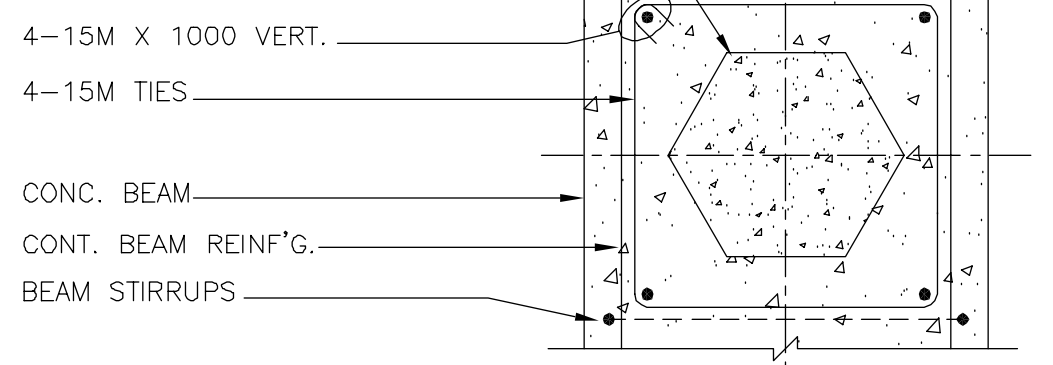
4 SECTION - BEAM B2
 S1 SCALE: 1:15 (24" X 36" SHEET)
 1:30 (11" X 17" SHEET)



5 SECTION
 S1 SCALE: 1:15 (24" X 36" SHEET)
 1:30 (11" X 17" SHEET)

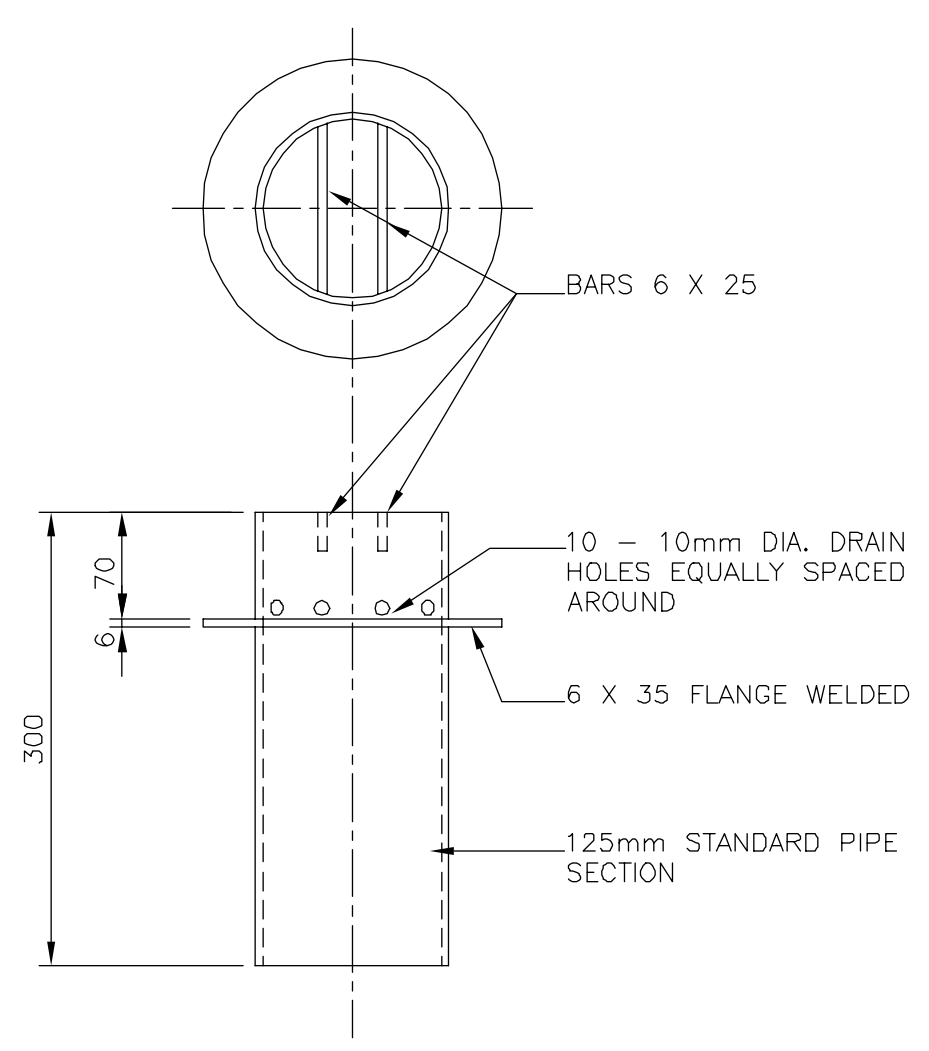


6 SECTION - BEAM B3
 S1 SCALE: 1:15 (24" X 36" SHEET)
 1:30 (11" X 17" SHEET)



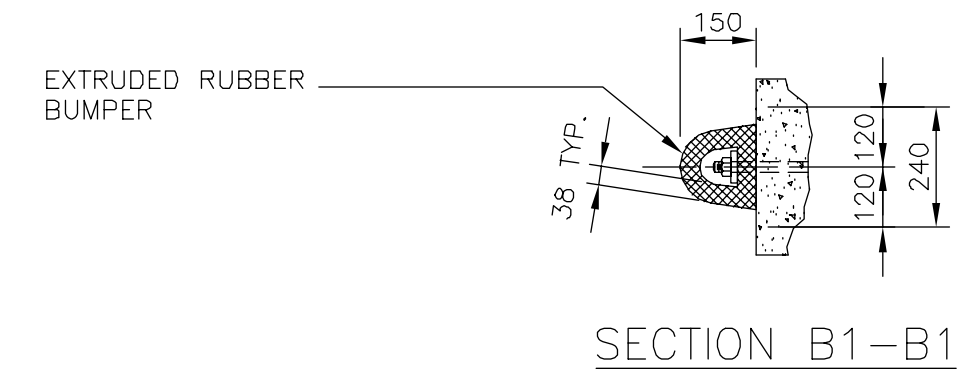
SECTION 3A-3A

3 SECTION - BEAM B1
 S1 SCALE: 1:15 (24" X 36" SHEET)
 1:30 (11" X 17" SHEET)

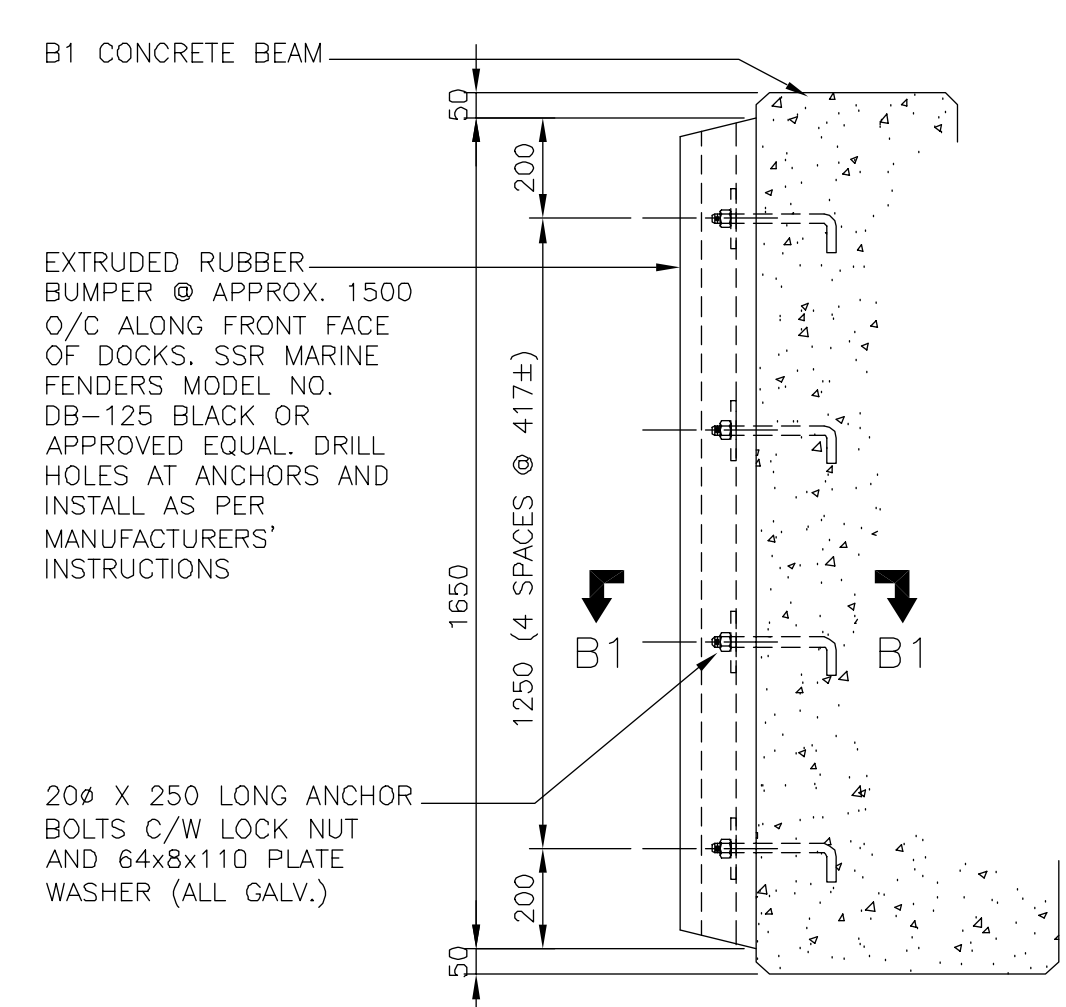


NOTE:
 -ASSEMBLY TO BE HOT-DIPPED GALVANIZED
 -SPACE AT 6m± O/C AS SHOWN ON PLANS

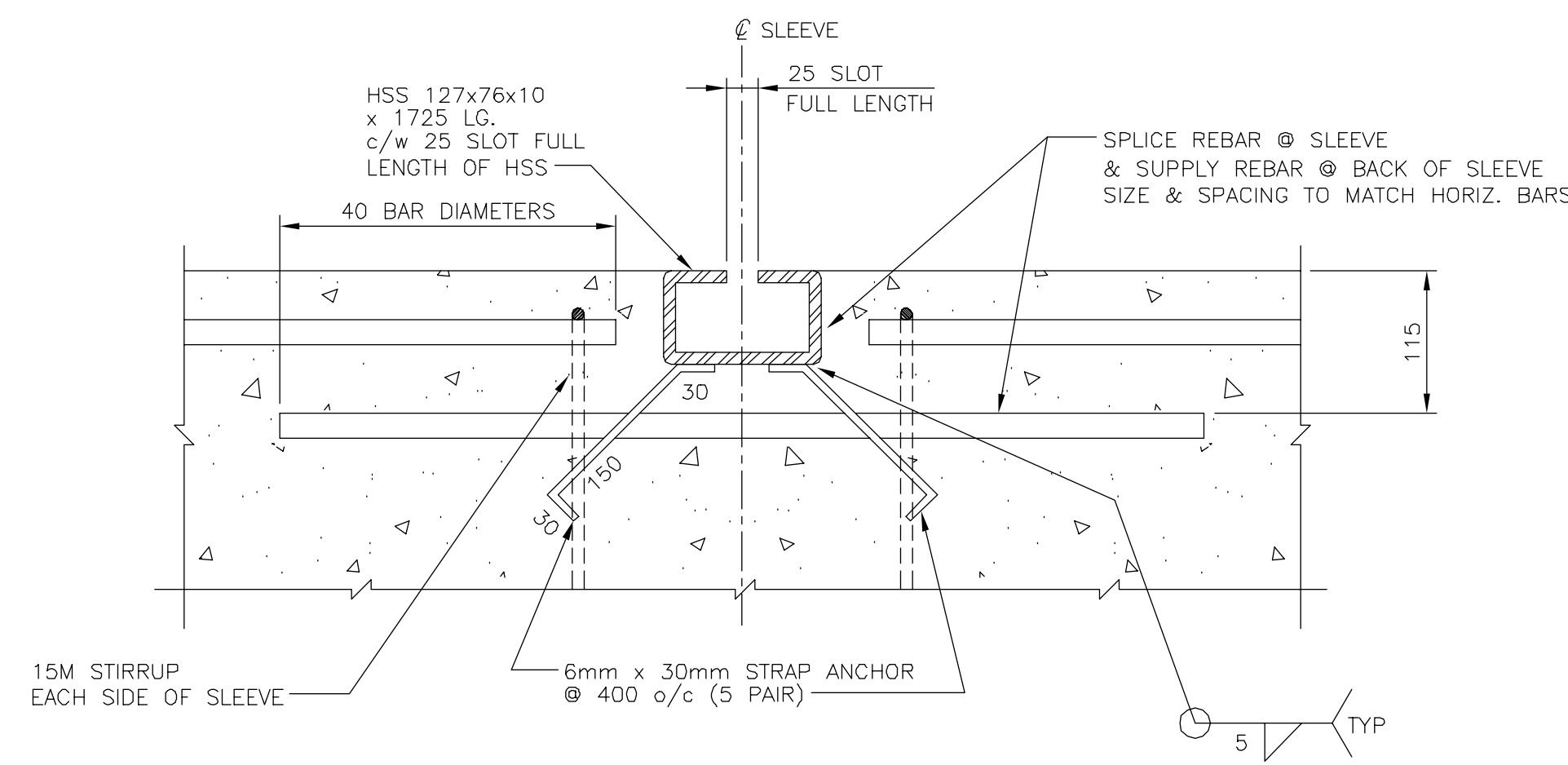
A TYPICAL DRAIN
 SCALE: 1:5 (24" X 36" SHEET)
 1:10 (11" X 17" SHEET)



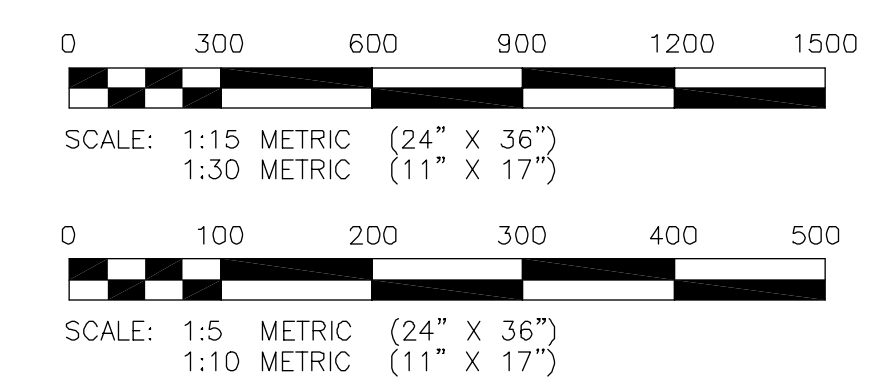
SECTION B1-B1



B TYPICAL DOCK BUMPER
 SCALE: 1:15 (24" X 36" SHEET)
 1:30 (11" X 17" SHEET)



C TYPICAL MOORING DOCK SLEEVE
 SCALE: 1:5 (24" X 36" SHEET)
 1:10 (11" X 17" SHEET)
 2 TOTAL



0	22/12/03	ISSUED FOR TENDER	RJL
NO.	D / M / Y	DESCRIPTION	BY
REVISIONS / ISSUE			
A		A. SECTION LETTER OR DETAIL NUMBER IS DRAWN	A
B		B. DRAWING WHERE SECTION OR DETAIL WAS INDICATED	-
- SECTION OR DETAIL SHOWN ON SAME DRAWING			
KGS GROUP CONSULTING ENGINEERS & PROJECT MANAGERS WINNIPEG (204) 896-1209 THUNDER BAY (807) 345-2233			
CLIENT: SCATLIFF+MILLER+MURRAY landscape architecture urban design golf course design bridge architecture 3d simulation			
PROJECT: NORWOOD GROVE CARRAC DOCK			
DWG. DESCRIPTION: SECTIONS AND DETAILS			
ENG. STAMP	DESIGNED BY: RJL	DRAWN BY: JF	
	APPROVED:	CHECKED:	CHECKED:
	SCALE: AS NOTED	DATE: NOVEMBER 2003	
	KGS DWG. NO. 03-0109-09	S2	
CLIENT DWG. NO.		REV:	0