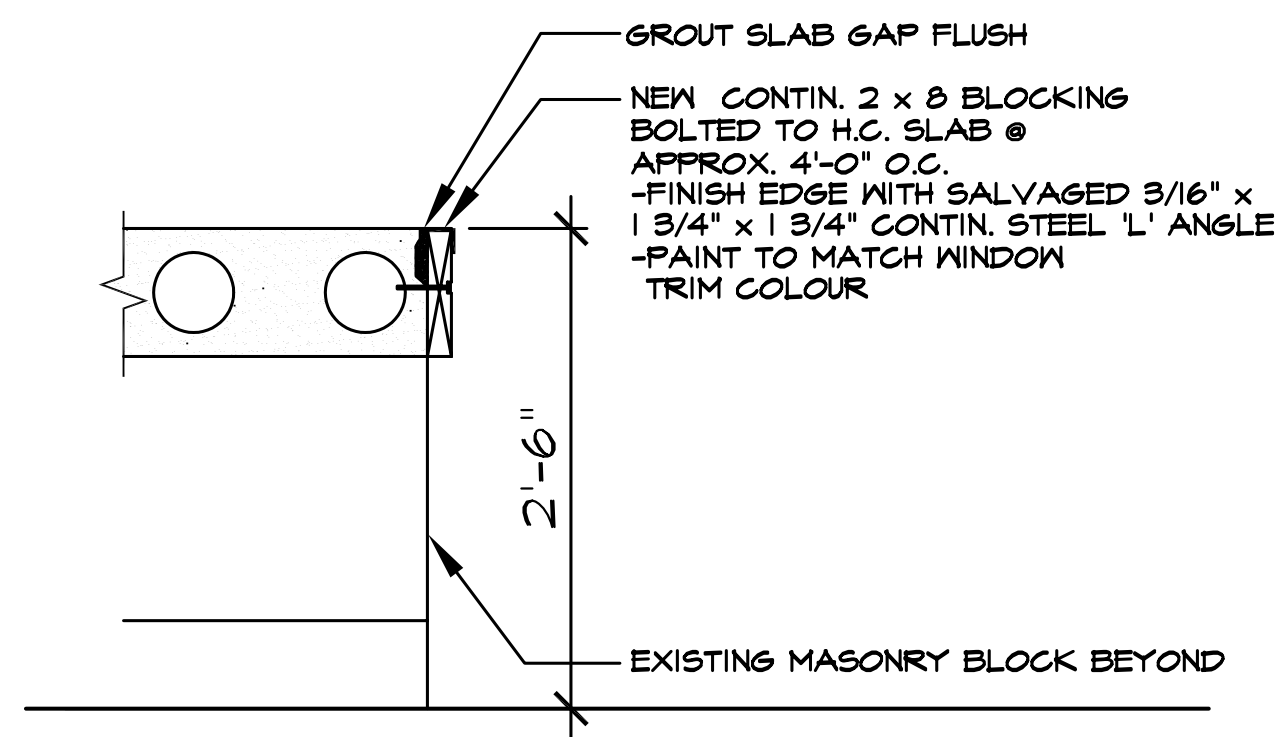
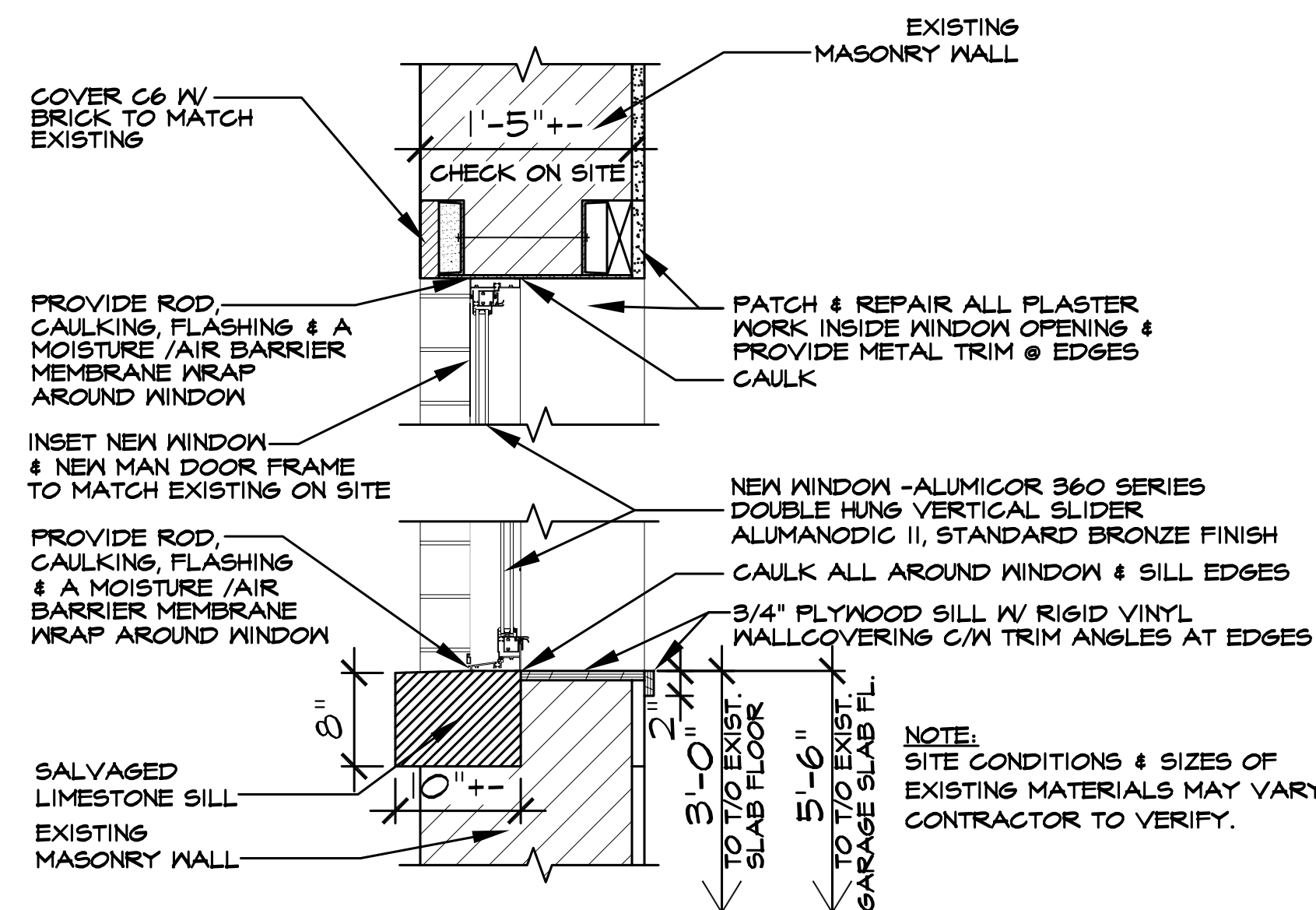


1 DETAIL -NEW WALL LOCATION  
A-3 SCALE: 1" = 1'-0"



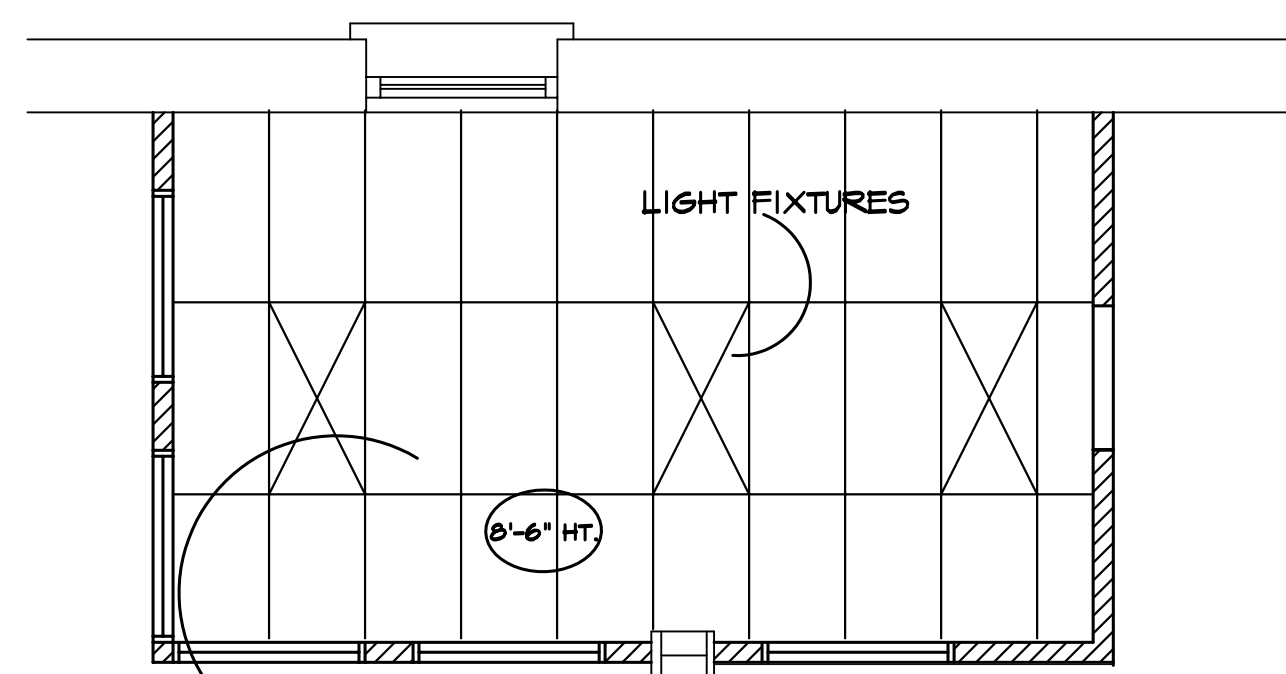
2 DETAIL -SLAB & CONCRETE FINISHES  
A-3 SCALE: 1" = 1'-0"



3 HEAD & SILL DETAIL (TYPICAL FOR NEW WINDOW)  
A-3 HEAD DETAIL (TYPICAL FOR NEW DOOR #D100)  
SCALE: 1" = 1'-0"

ORIGINAL SEALED BY:  
R.K. FOK LI Arch.  
Date: 2003.12.10

NO.	REVISION/DESCRIPTION	BY	DATE
SEALS			



PLAN -REFLECTED CEILING PLAN  
SCALE: 1/4" = 1'-0"

DRAWN BY	CHECKED BY	APPROVED
MMK	USER APPROVAL	

CITY OF WINNIPEG  
PLANNING, PROPERTY &  
DEVELOPMENT DEPARTMENT  
CIVIC ACCOMMODATIONS DIVISION  
300 - 65 GARRY ST. R3C 4K4

PROJECT  
Winnipeg Police Services  
Main Floor Repair Garage  
55 PRINCESS STREET

SHEET TITLE  
Details & Reflected  
Ceiling Plan

SCALE	PROJECT NO.	SHEET NO.
Noted	2003-134	A-3