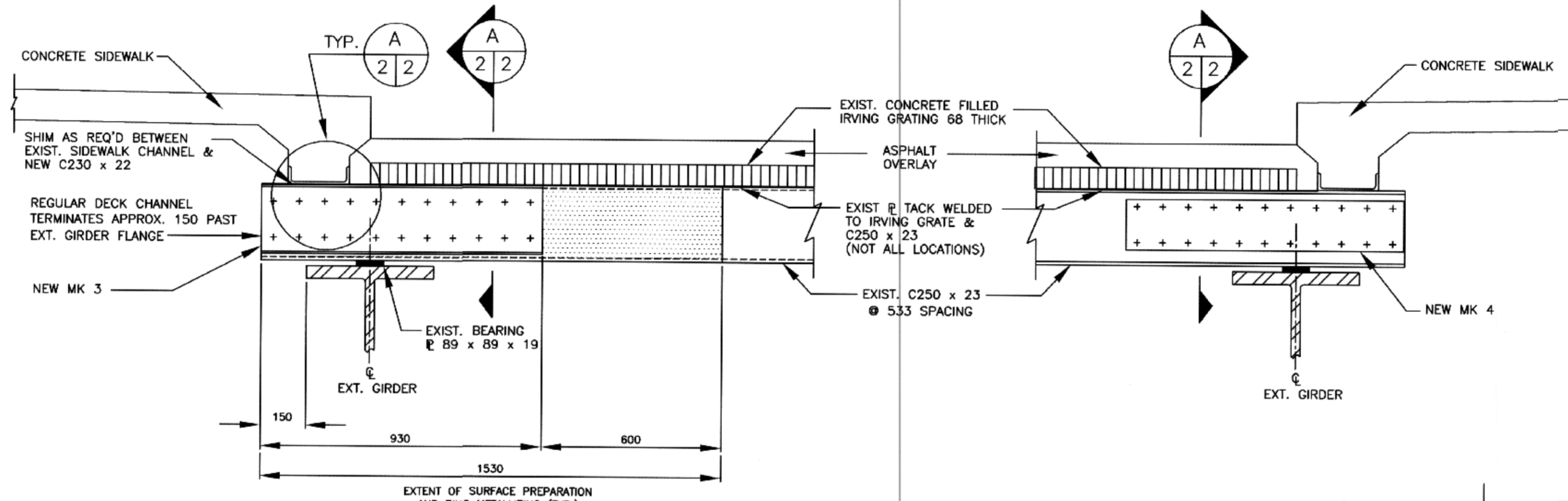
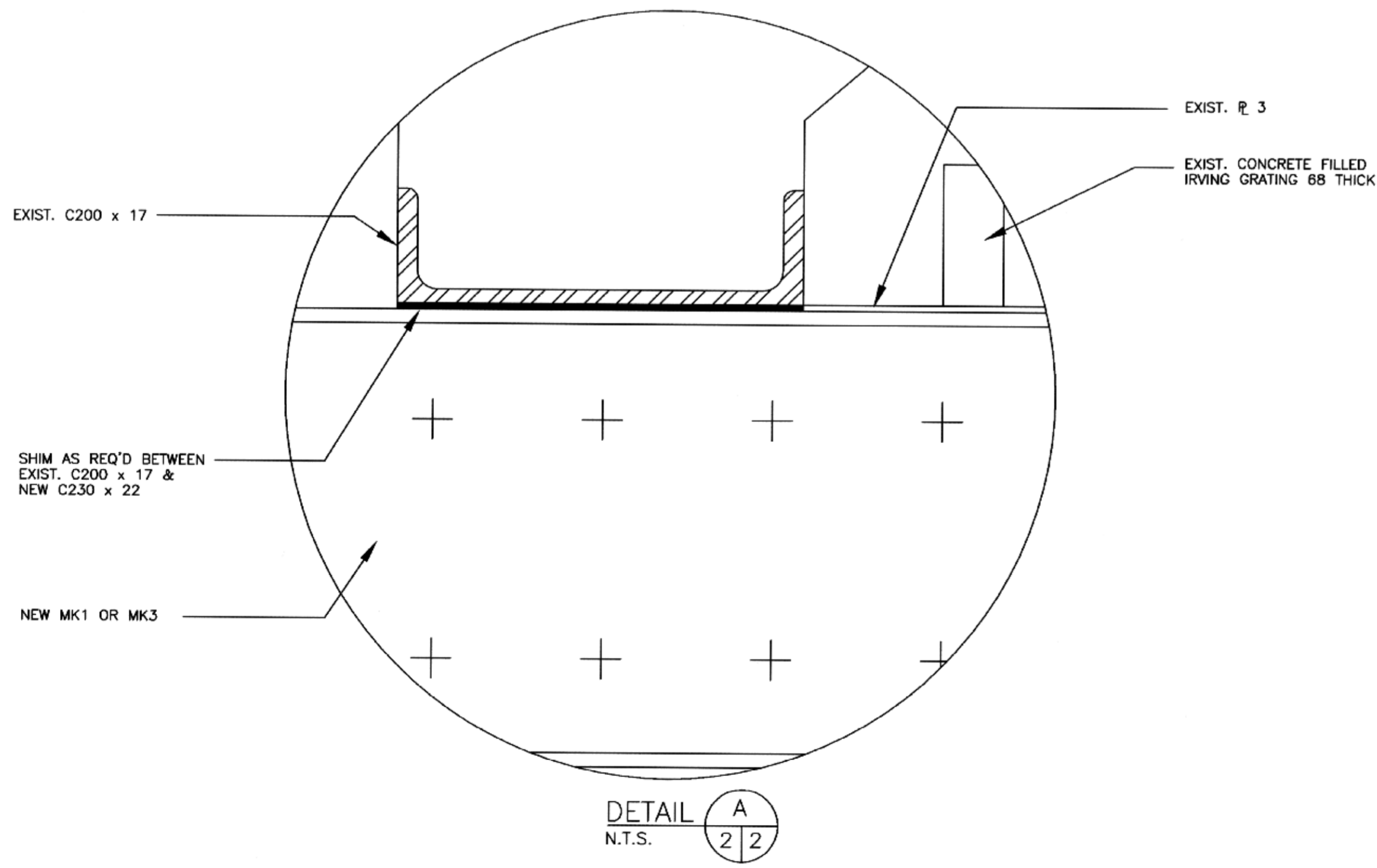


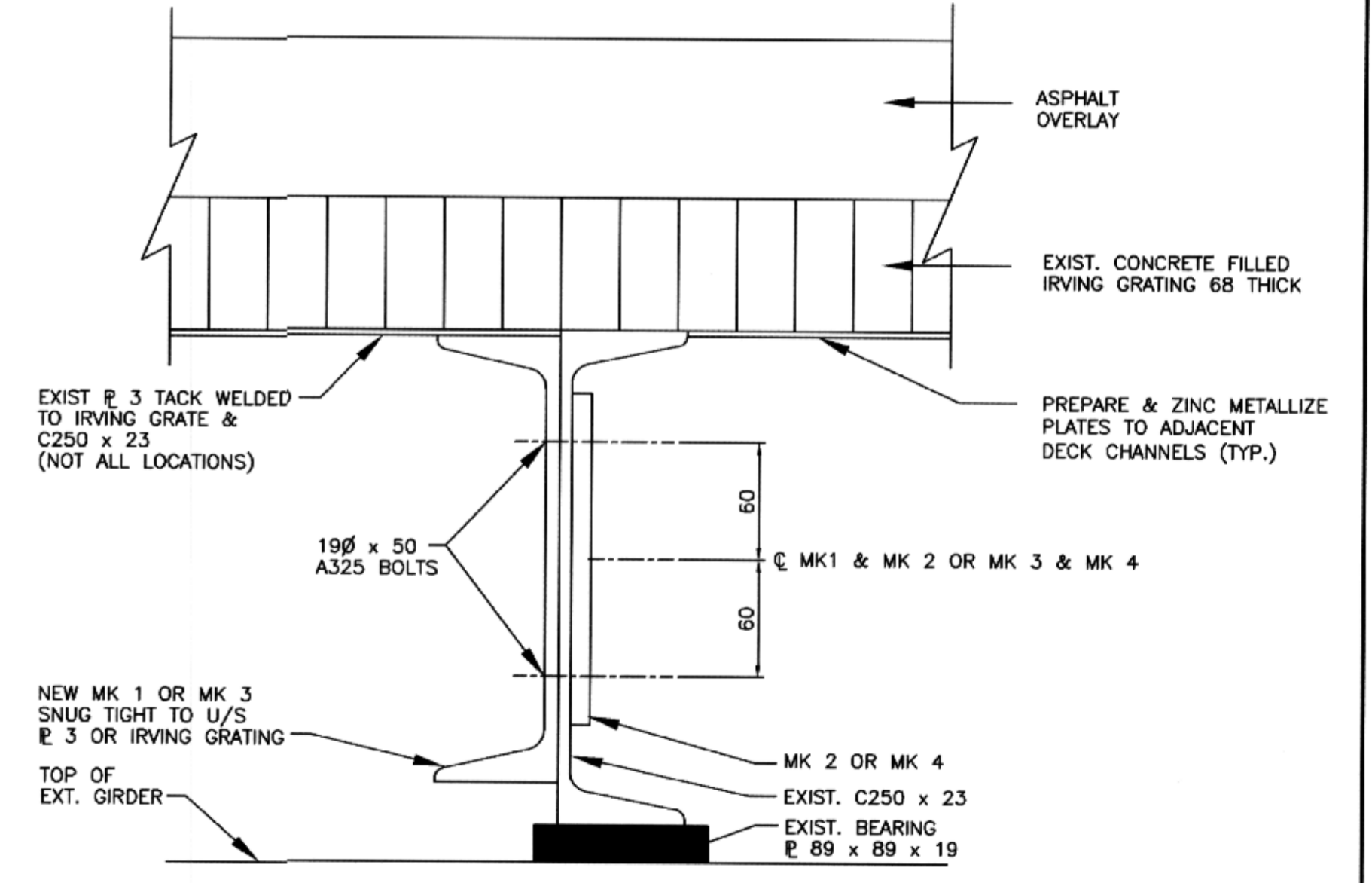
ELEVATION - SIDEWALK SUPPORT CHANNEL SPLICE
N.T.S.



ELEVATION - REGULAR DECK CHANNEL SPLICE
N.T.S.



DETAIL A/2/2
N.T.S.



SECTION A/2/2
N.T.S.

DESIGNED BY	B.A.N.
DRAWN BY	M.R.T.
CHECKED BY	B.A.N.
APPROVED BY	B.A.N.
AUTHORIZED BY	B.A. NEIRINCK BRIDGE PLANNING & OPERATIONS ENGINEER

ENGINEER'S SEAL

BID OPPORTUNITY NO. 101-2004

THE CITY OF WINNIPEG
PUBLIC WORKS DEPARTMENT
ENGINEERING DIVISION

DISRAELI OVERPASS
STRUCTURAL STEEL DECK REPAIRS

DETAILS & SECTIONS

SHEET 2 OF 3

HOR. SCALE: N.T.S.
VERTICAL: N.T.S.

CITY DRAWING NUMBER
B112-04-02