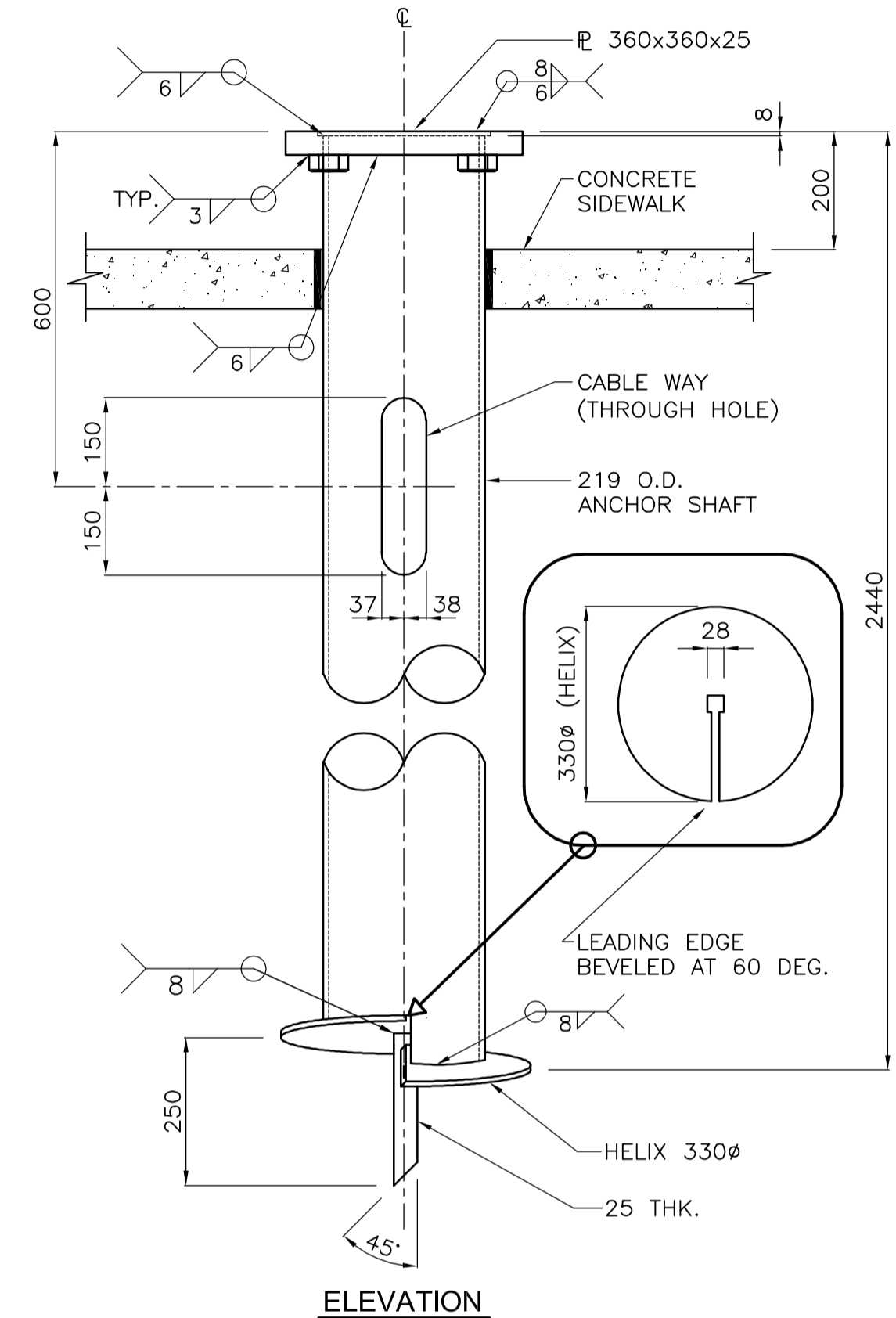


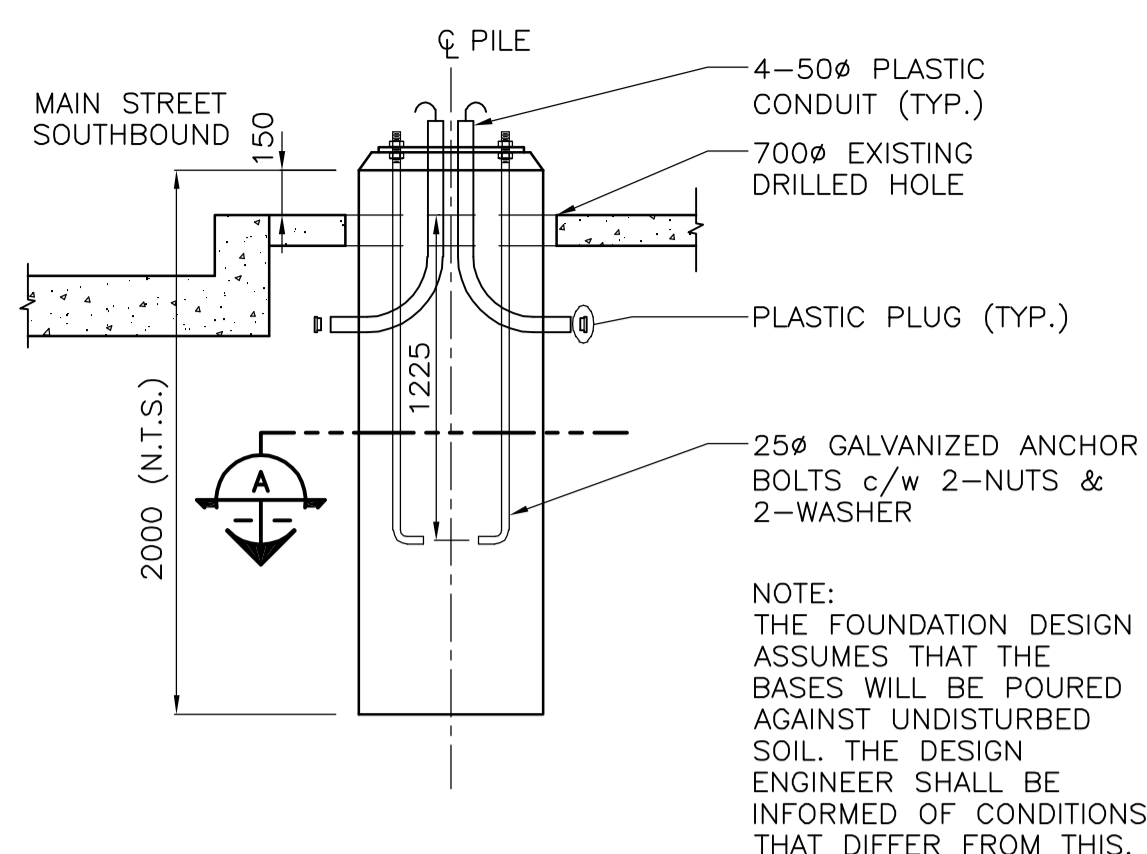
PLAN



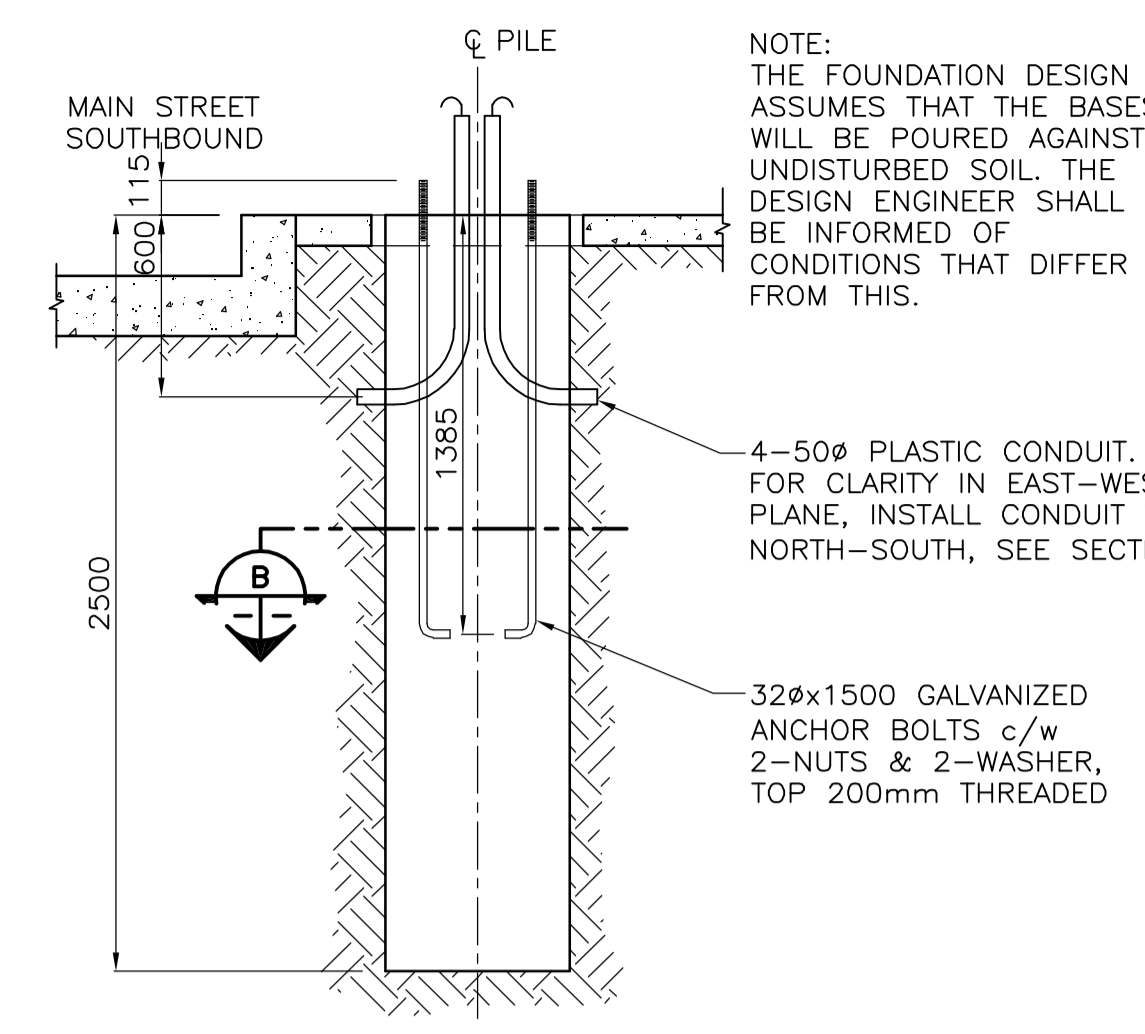
ELEVATION

DIAMOND LANE STEEL SCREW ANCHOR FOUNDATION

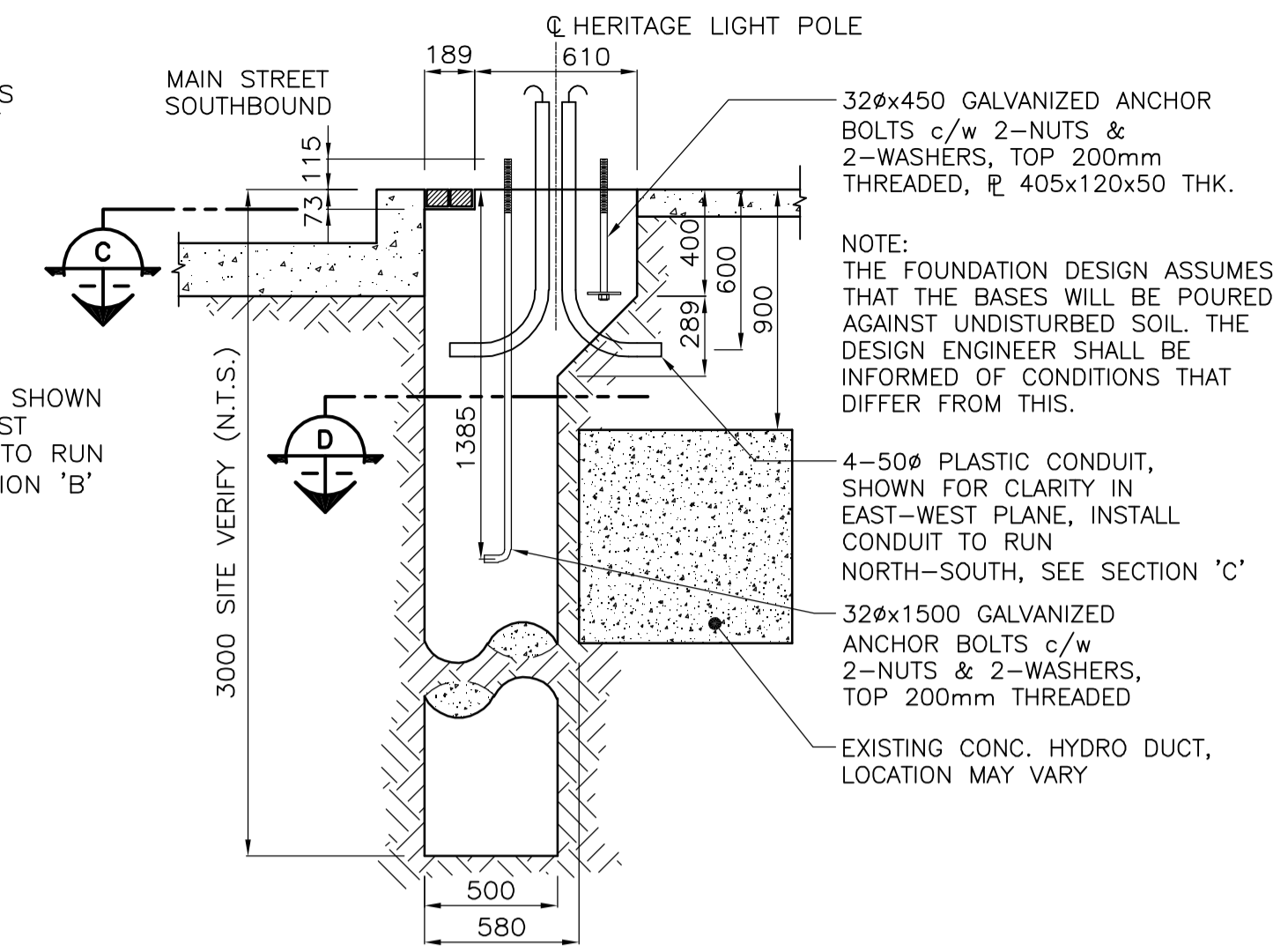
- NOTE:
1. ALL MATERIALS SHALL BE CSA G40.21 - 350W STRUCTURAL STEEL UNLESS OTHERWISE NOTED.
 2. ALL MATERIALS EXCEPT STAINLESS STEEL AND ALUMINUM SHALL BE HOT-DIP GALVANIZED IN ACCORDANCE WITH CSA G164 TO A MIN. NET RETENTION OF 600 g/m.
 3. ALL AREAS OF DAMAGED GALVANIZING SHALL BE REPAIRED WITH SELF-FLUXING LOW TEMPERATURE, ZINC BASED ALLOY ROD. USE OF SPRAY-ON COATING IS NOT ACCEPTABLE.
 4. HOT DIP GALVANIZE TOP 400 OF PILE REINFORCING STEEL.
 5. ALL VERTICAL BARS TO BE FULL LENGTH.
 6. ALL ANCHOR BOLTS TO BE 1500 LONG & 150 HOOK HOT DIP GALVANIZE FULL LENGTH.
 7. BACKFILL AROUND PILE WITH GRANULAR COMPACTED TO 100% PROCTOR OR LEAN MIX CONCRETE.
 8. CONFIRM ANCHOR BOLT LAYOUT AS SHOWN IN DETAIL 1, WITH SIGN STRUCTURE.
 9. CONCRETE MIX DESIGN SHALL BE IN ACCORDANCE WITH THE GENERAL SPECIFICATIONS FOR CONCRETE PILES.



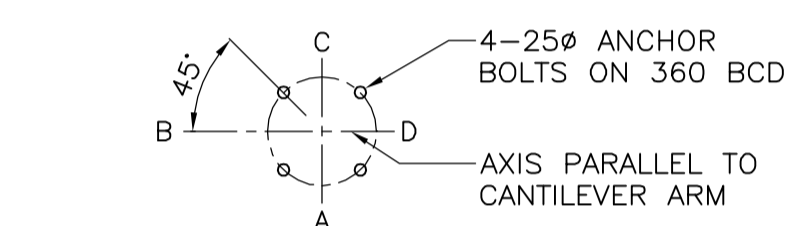
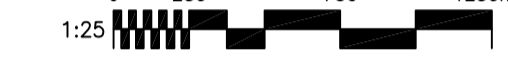
DIAMOND LANE CONCRETE PILE SECTION



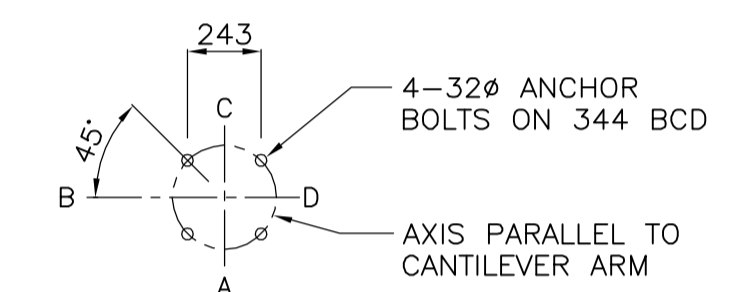
HERITAGE LIGHT POLE CONCRETE PILE SECTION



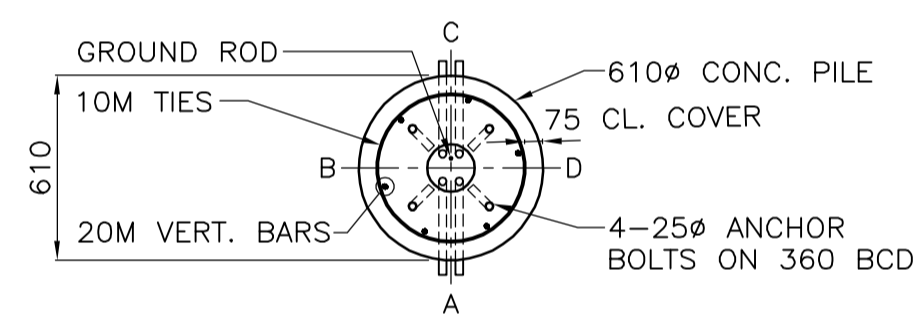
MODIFIED HERITAGE LIGHT POLE CONCRETE PILE SECTION



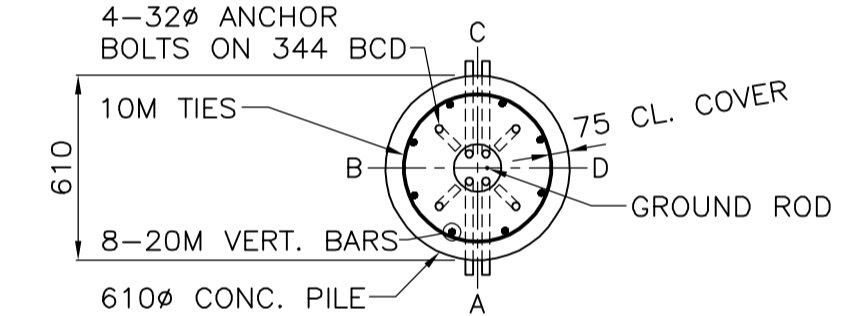
DIAMOND LANE ANCHOR BOLT DETAIL



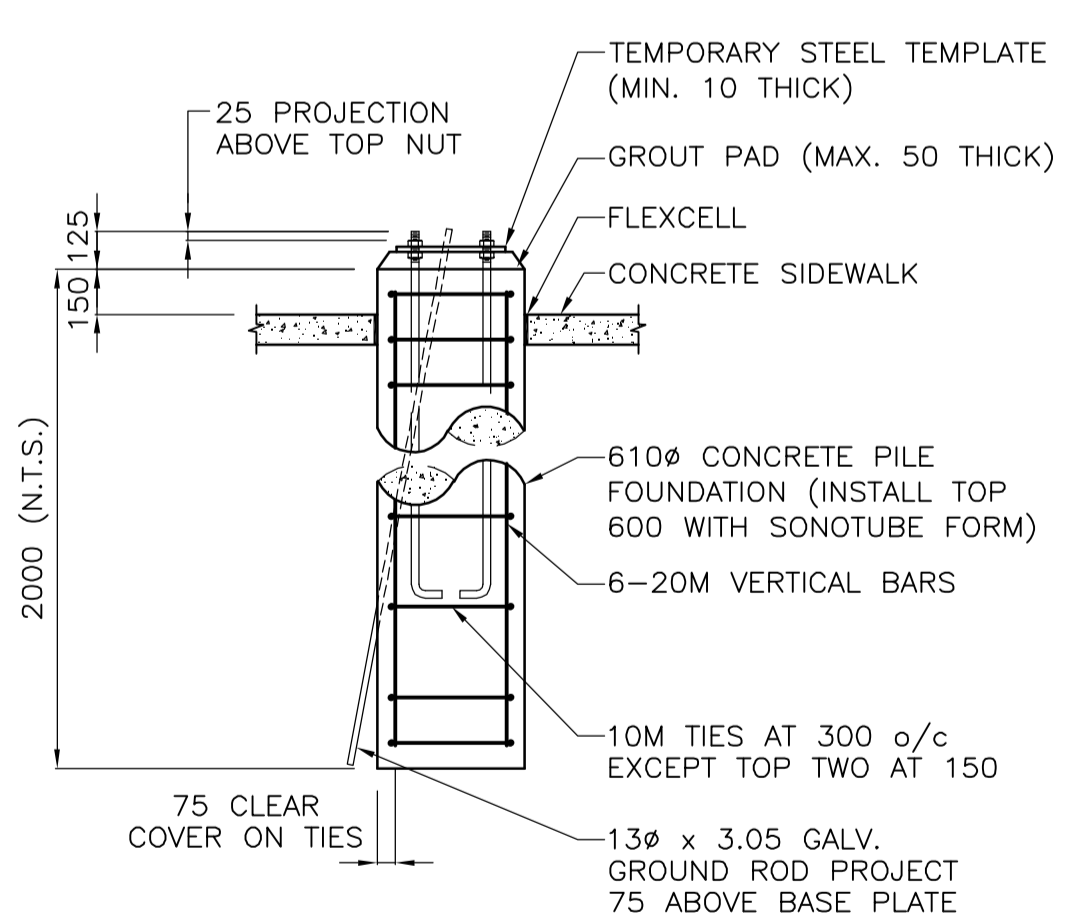
HERITAGE LIGHT POLE ANCHOR BOLT DETAIL



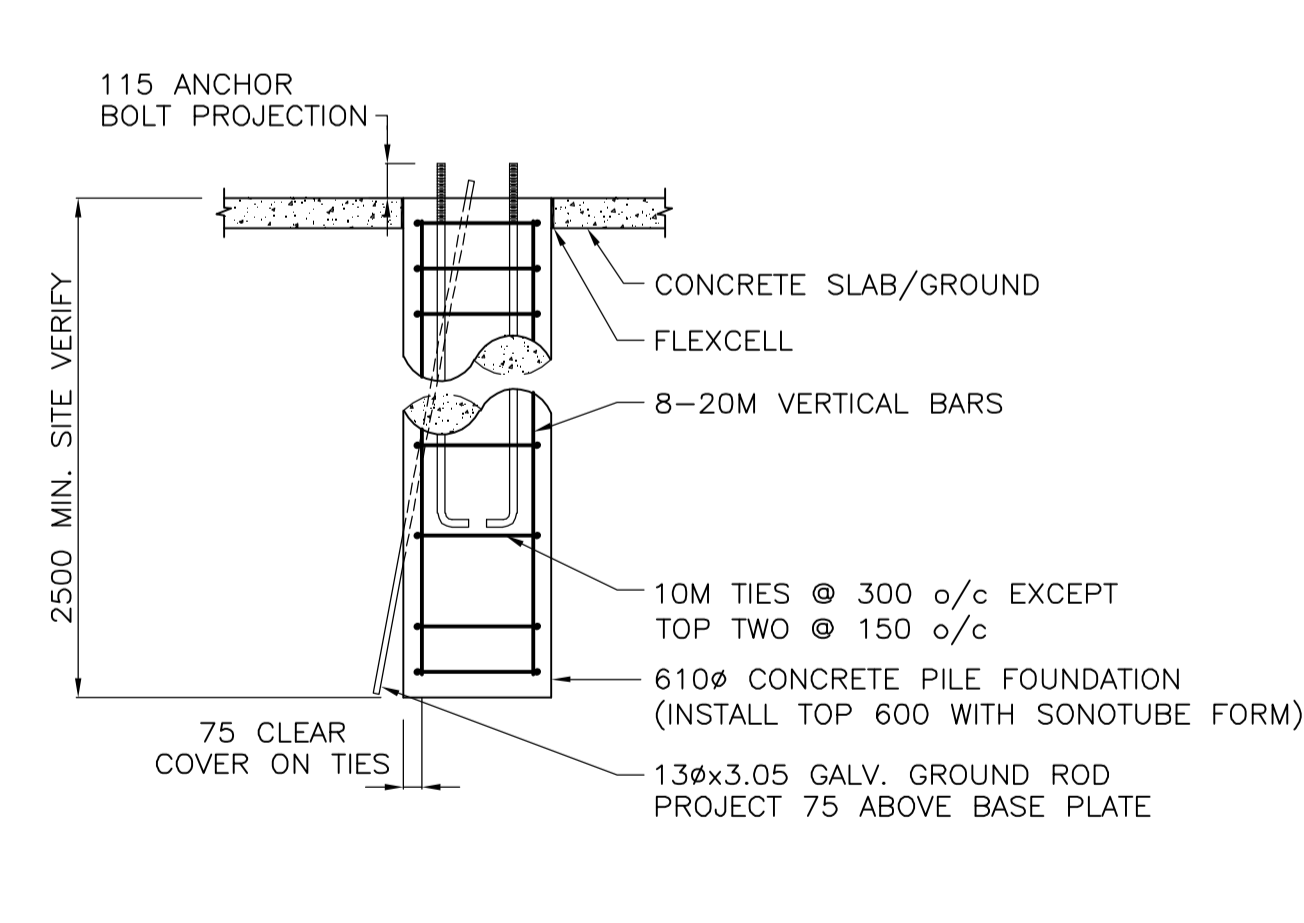
SECTION A



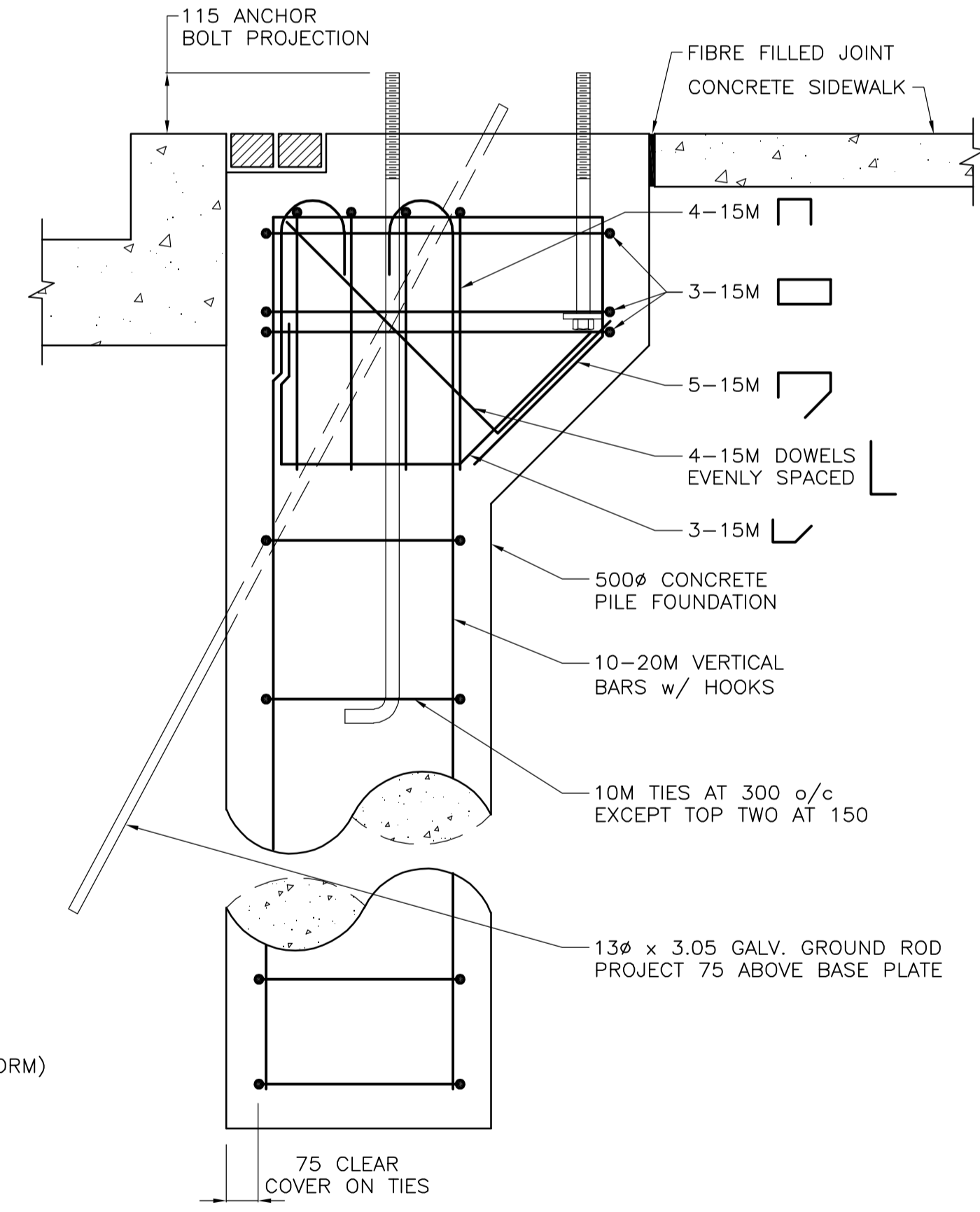
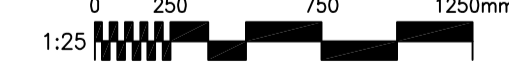
SECTION B



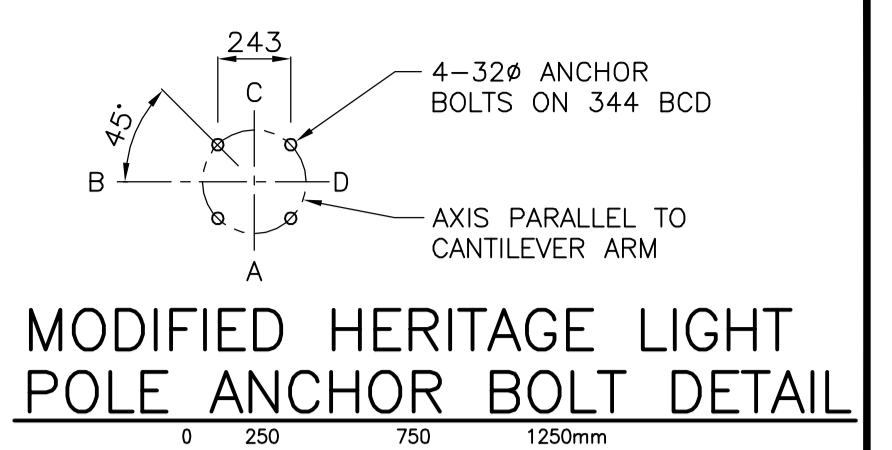
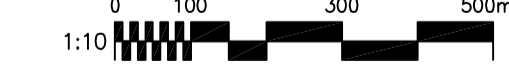
DIAMOND LANE CONCRETE FOUNDATION DETAIL



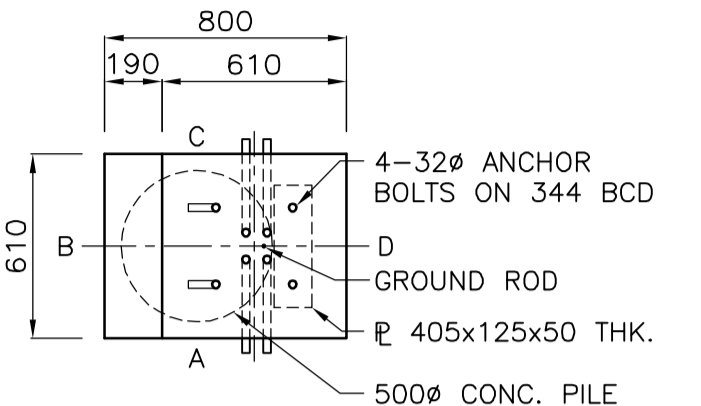
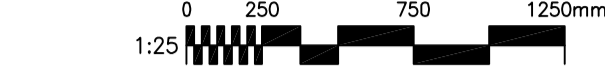
HERITAGE LIGHT POLE CONCRETE FOUNDATION DETAIL



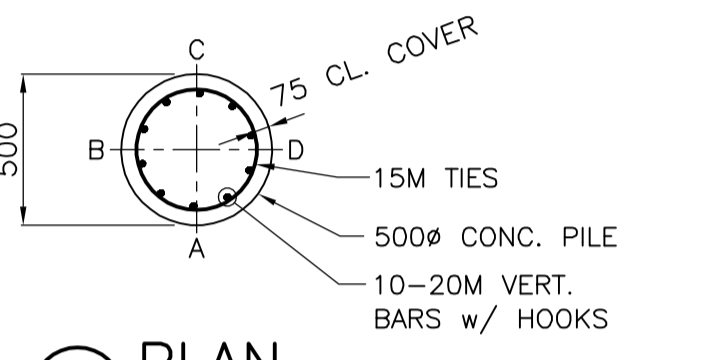
MODIFIED HERITAGE LIGHT POLE CONCRETE FOUNDATION DETAIL



MODIFIED HERITAGE LIGHT POLE ANCHOR BOLT DETAIL



PLAN



PLAN



WARNING

IF POWER EQUIPMENT OR EXPLOSIVES ARE TO BE USED FOR EXCAVATION ON THIS PROJECT THE CONTRACTOR MUST:

- 1) NOTIFY THE GAS COMPANY OF THE PROPOSED LOCATION OF EXCAVATION.
- 2) TAKE PRECAUTION TO AVOID DAMAGE TO GAS COMPANY INSTALLATIONS.

SEE PROVINCIAL REGULATION 140/92 FOR DETAILS

METRIC
WHOLE NUMBERS INDICATE MILLIMETRES
DECIMALIZED NUMBERS INDICATE METRES

APEGM
Certificate of Authorization
Stantec Consulting Ltd.
No. 1301 Expiry: April 30, 2004

LOCATION APPROVED UNDERGROUND STRUCTURES

SUPV. U/G STRUCTURES COMMITTEE	DATE

NOTE:
LOCATION OF UNDERGROUND STRUCTURES AS SHOWN ARE BASED ON THE BEST INFORMATION AVAILABLE BUT NO GUARANTEE IS GIVEN THAT ALL EXISTING UTILITIES ARE SHOWN OR THAT THE GIVEN LOCATIONS ARE EXACT. CONFIRMATION OF EXISTENCE AND EXACT LOCATION OF ALL SERVICES MUST BE OBTAINED FROM THE INDIVIDUAL UTILITIES BEFORE PROCEEDING WITH CONSTRUCTION.

NO.	REVISIONS	DATE	BY
1	ISSUED FOR CONSTRUCTION	04/03/24	

B.M. ELEV.

Stantec Consulting Ltd.
905 Waverley Street, Winnipeg, Manitoba
Tel 204-489-5900 Fax 204-453-9012

DESIGNED BY	K.A.	CHECKED BY	M.J.B.
DRAWN BY	J.M.B.	APPROVED BY	M.J.B.
HOR. SCALE:	AS SHOWN	RELEASED FOR ORIGINAL CONSTRUCTION: SIGNED BY:	F. COREY
VERTICAL:		DATE	MARCH 25, 2004

ENGINEER'S SEAL

ORIGINAL SEALED BY
M.J. BOISSONNEAULT
P. ENG.
04/03/24

CONSULTANT DRAWING NO.
CW-70-599

THE CITY OF WINNIPEG
PUBLIC WORKS DEPARTMENT
ENGINEERING DIVISION

Winnipeg

MAIN STREET (SOUTH BOUND)
LOMBARD AVE. TO DISRAELI FREEWAY
SCREW ANCHOR, & PILE FOUNDATION DETAILS

SHEET 14 OF 27
CAD FILE DRAWING NUMBER CW-70-599
CITY DRAWING NUMBER P-3247-14