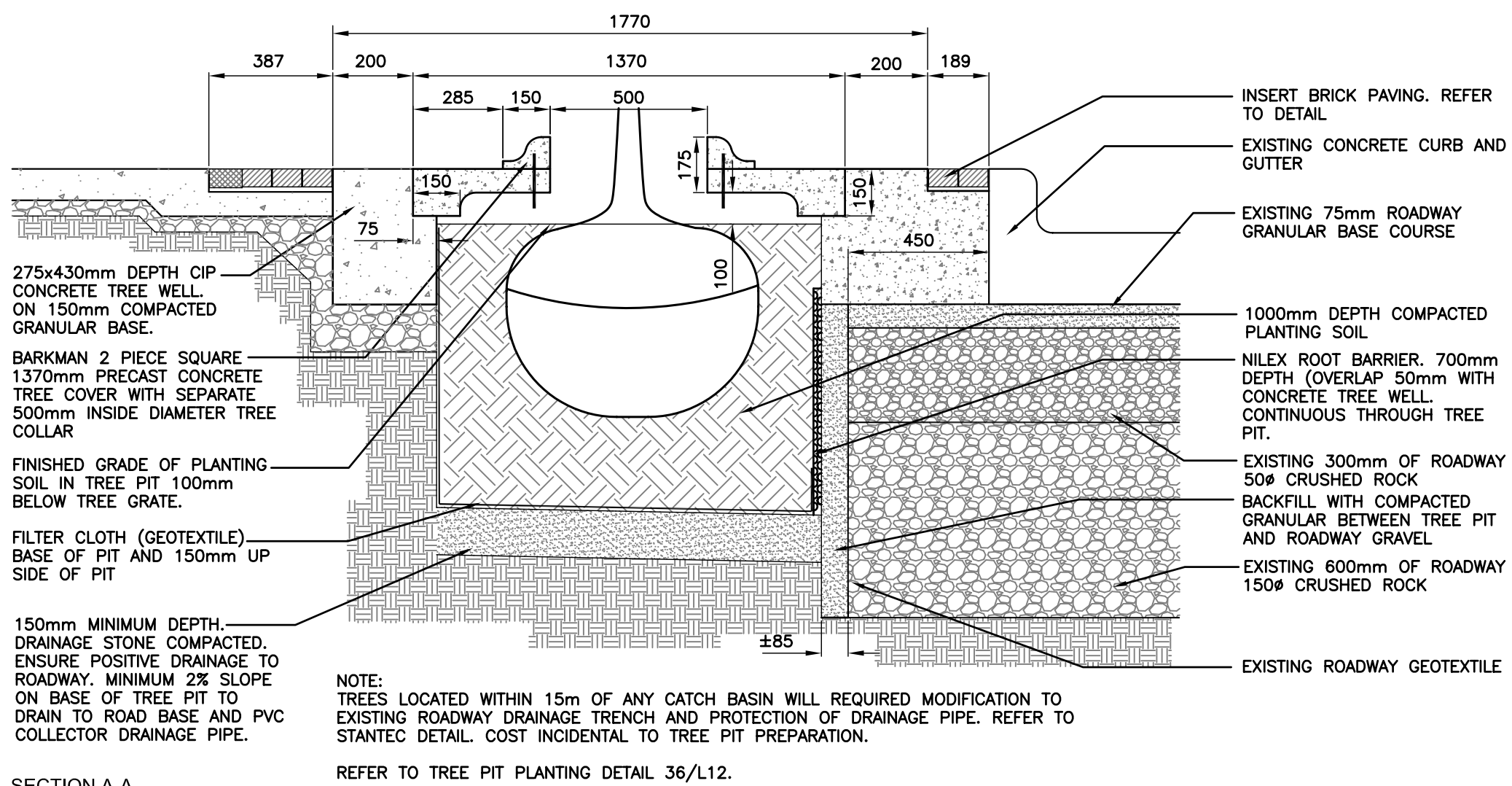


NOTE: CONTRACTOR SHALL ALLOW FOR SOIL SETTLEMENT

35 DECIDUOUS TREE PLANTING IN MEDIAN

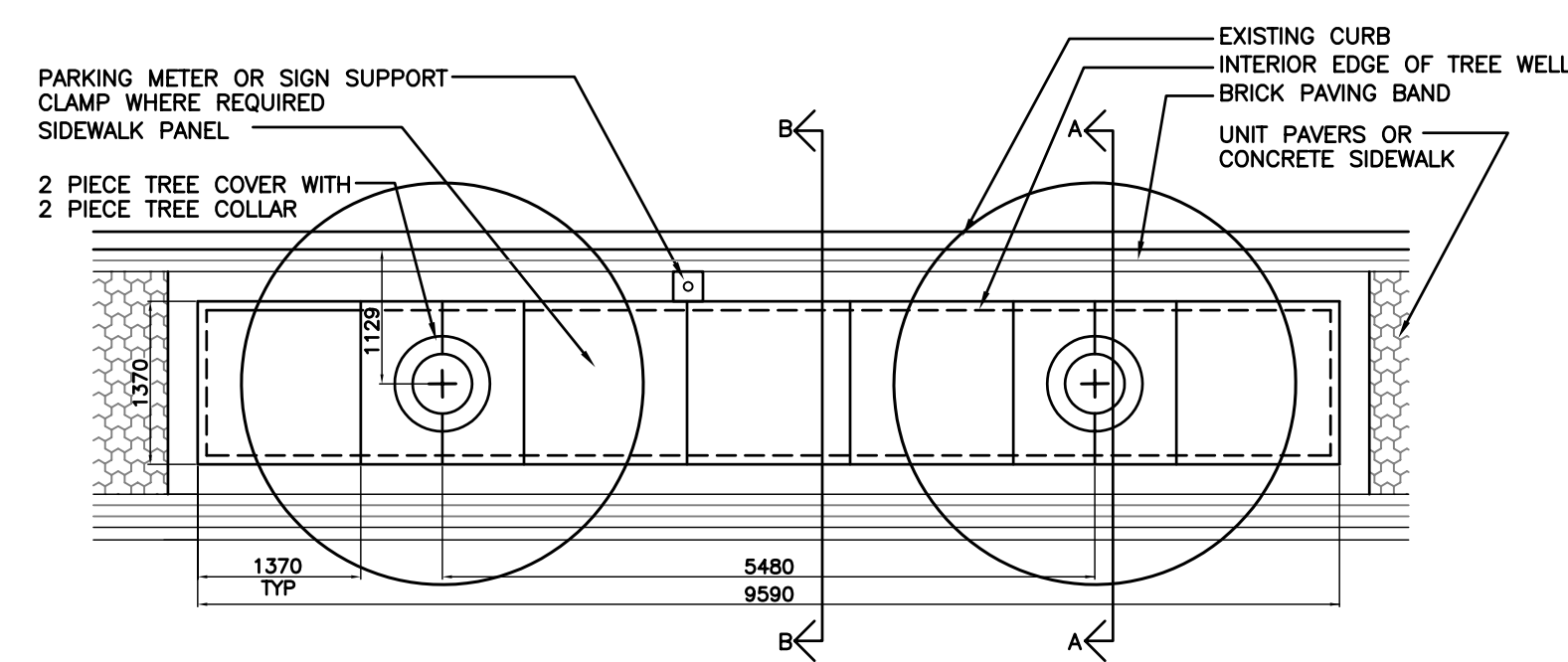
L2 N.T.S.



NOTE: CONTRACTOR SHALL ALLOW FOR SOIL SETTLEMENT

36 TYPICAL TREE WELL PLANTING

L1 N.T.S.

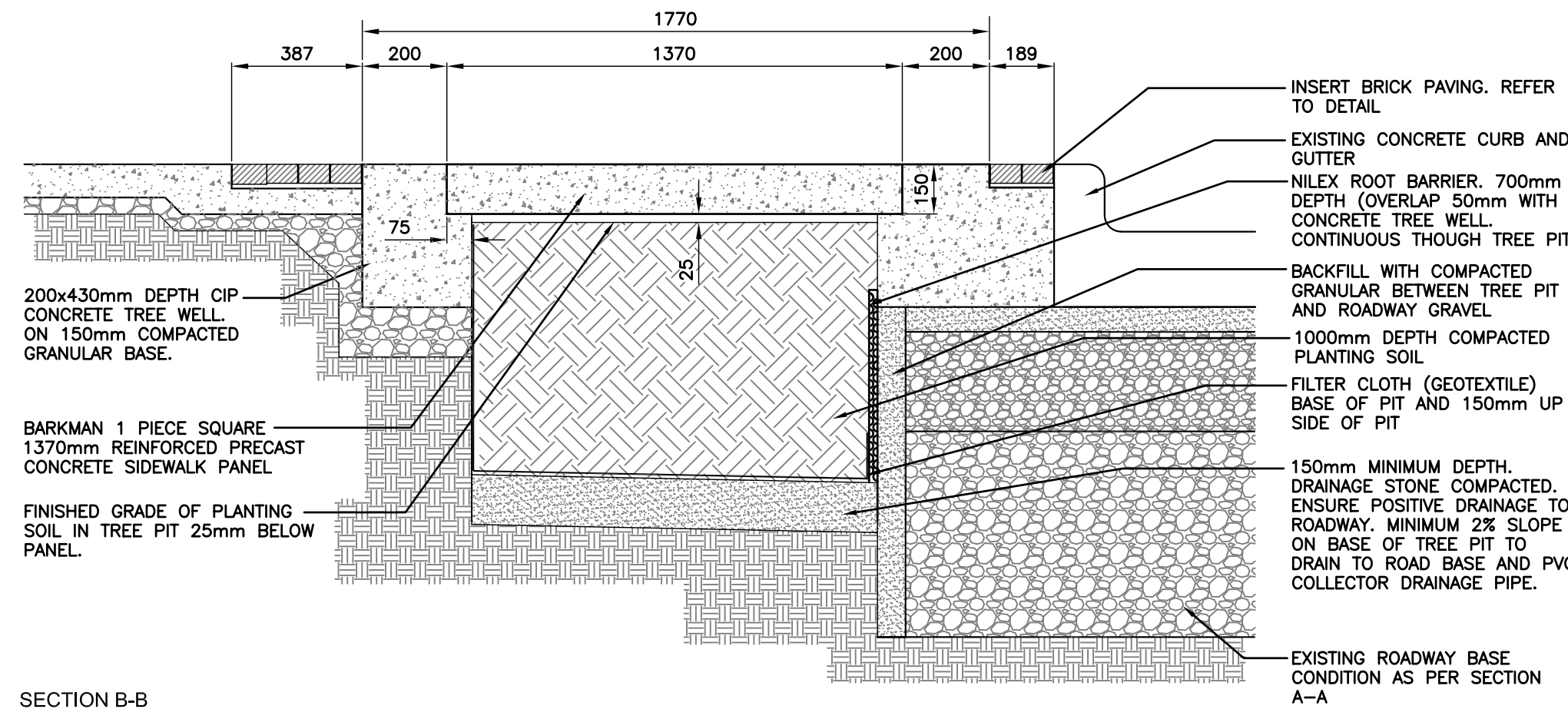


37 TYPICAL TREE WELL PLAN

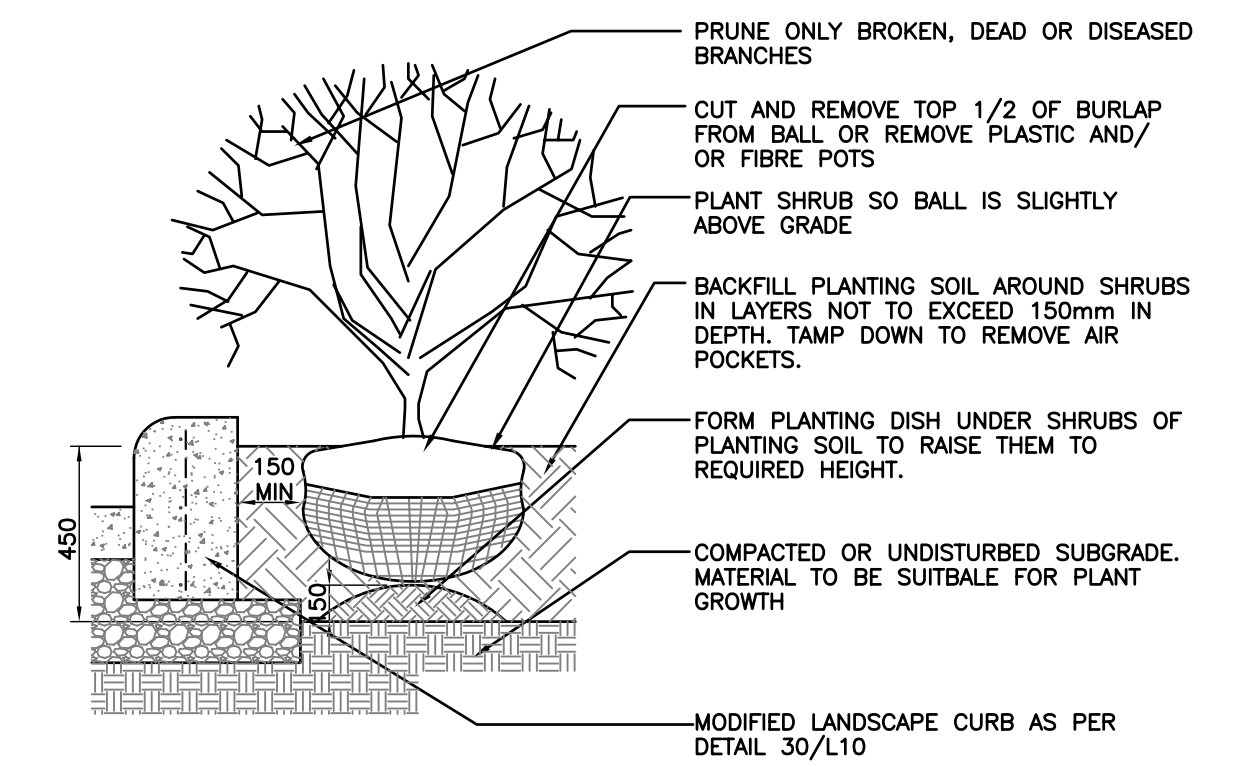
L1 N.T.S.

PLANT LIST

KEY	QTY	COMMON NAME/BOTANICAL NAME	SIZE	REMARKS
DECIDUOUS TREES				
A	33	AMERICAN ELM / ULMUS AMERICANA	75-100mm col.	SPECIMEN, WIRE BASKET, MACHINE DUG W/ MIN. 10 BRANCHES IN WELL BRANCHED HEAD, STRAIGHT TRUNK, MIN. HT. 4500mm, BRANCHING HT. 2250mm.
B	9	DISCOVERY ELM / ULMUS DAVIDIANA JAPONICA 'DISCOVERY'	75-100mm col.	SPECIMEN, WIRE BASKET, MACHINE DUG W/ MIN. 10 BRANCHES IN WELL BRANCHED HEAD, STRAIGHT TRUNK, MIN. HT. 4500mm, BRANCHING HT. 2250mm.
C	14	CUTHBERT GRANT ROSE / ROSA X 'CUTHBERT GRANT'	2 GAL. POT	SPECIMEN CONTAINER GROWN, WITH MINIMUM 3 STALKS IN WELL BRANCHED PLANT.



SECTION B-B

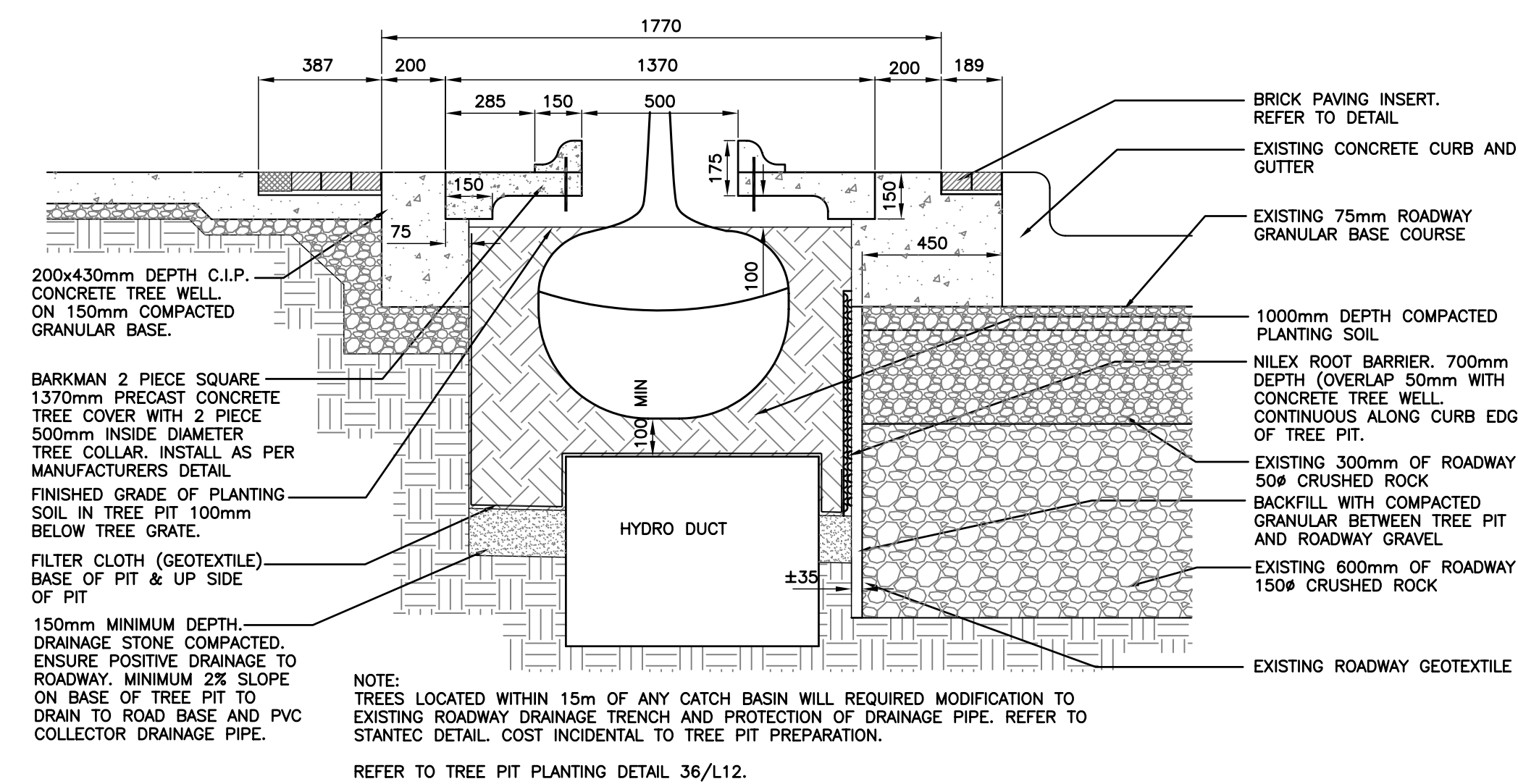


42 TYPICAL SHRUB PLANTING

L3 N.T.S.

38 TYPICAL TREE WELL SECTIONS

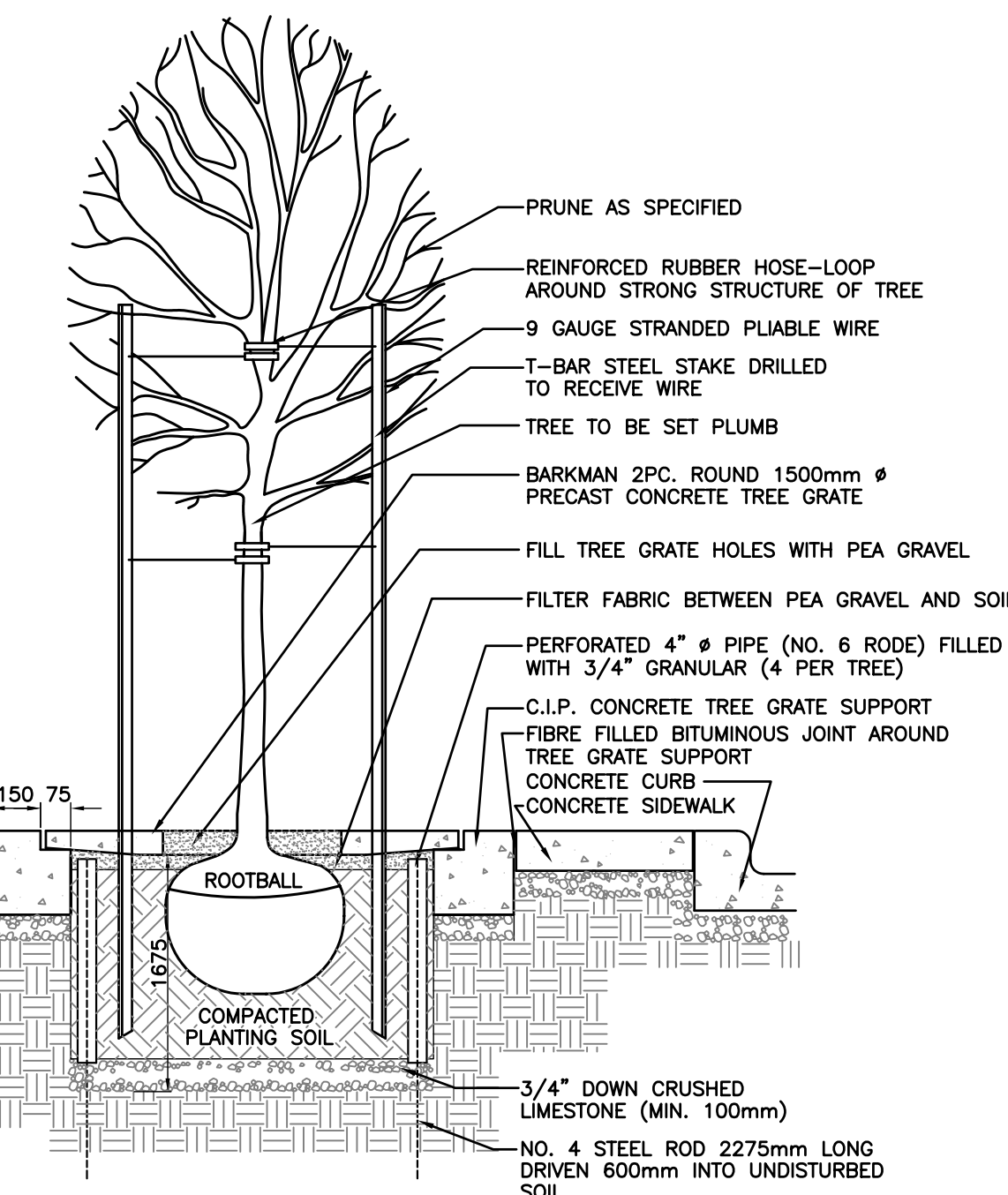
L1 N.T.S.



SECTION A-A (ALTERNATE)

39 TYPICAL TREE WELL SECTION AT HYDRO DUCT

L1 N.T.S.

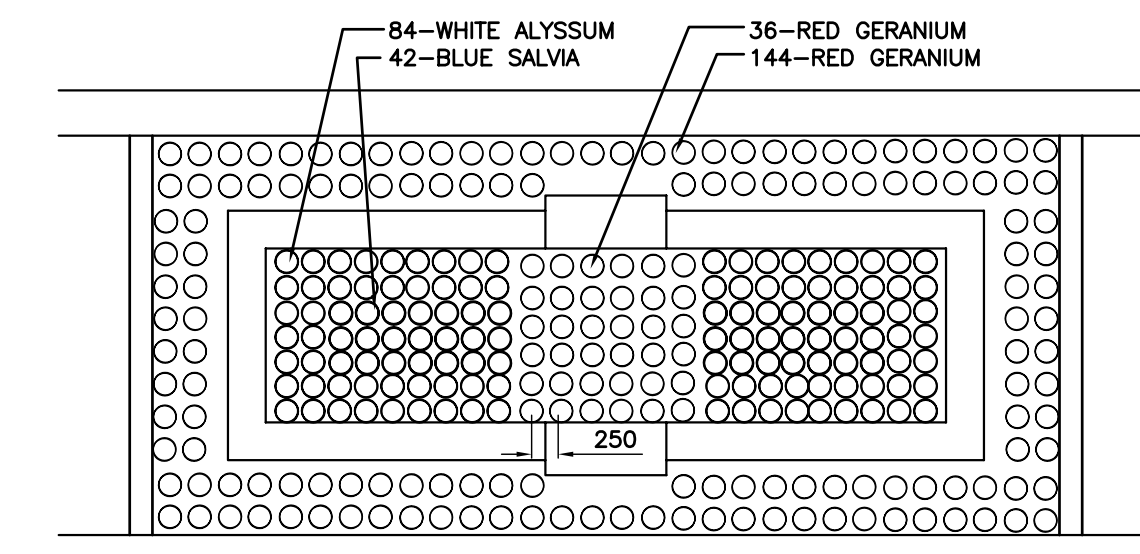
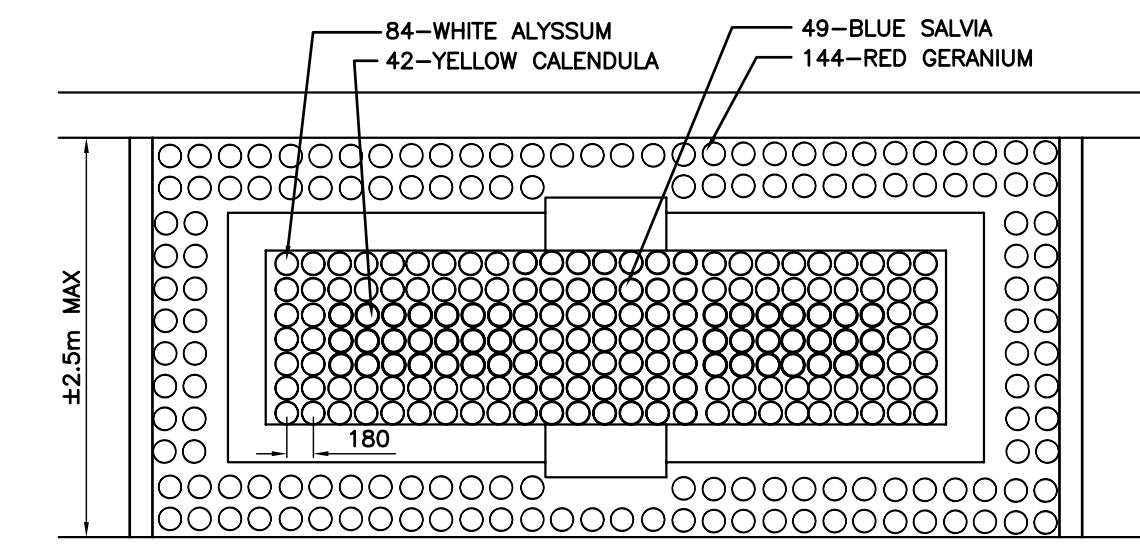


CONTRACTOR SHALL ALLOW FOR SOIL SETTLEMENT.

DECIDUOUS TREE PLANTING IN PIT WITH CONCRETE GRATE

40 (PACIFIC TO ALEXANDER BLOCK)

L5 N.T.S.



FOR INFORMATION ONLY

41 SUGGESTED TYPICAL ANNUAL PLANTINGS BY C.O.W. (N.I.C.)

L2 N.T.S.

LOCATION APPROVED UNDERGROUND STRUCTURES		B.M. ELEV.	McGOWAN RUSSELL		THE CITY OF WINNIPEG
SUPV. U/G STRUCTURES COMMITTEE DATE					PUBLIC WORKS DEPARTMENT
NOTE: LOCATION OF UNDERGROUND STRUCTURES AS SHOWN ARE BASED ON THE BEST INFORMATION AVAILABLE BUT NO GUARANTEE IS GIVEN THAT ALL EXISTING UTILITIES ARE SHOWN OR THAT THE GIVEN LOCATIONS ARE EXACT. CONFIRMATION OF EXISTENCE AND EXACT LOCATION OF ALL SERVICES MUST BE OBTAINED FROM THE INDIVIDUAL UTILITIES BEFORE PROCEEDING WITH CONSTRUCTION.			DESIGNED BY SR/JW CHECKED BY SR		STREETS ENGINEERING DIVISION
2 RELEASED FOR TENDER 23/03/04 SR			DRAWN BY JW/IG APPROVED BY DP/FC		MAIN ST. STREETSCAPING
1 RELEASED FOR CITY APPROVAL 20/02/04 SR			HOR. SCALE: AS NOTED VERTICAL: N/A		LOMBARD AVE TO DISRAELI FREEWAY
			RELEASED FOR CONSTRUCTION MARCH 25, 2004		WEST SIDE
			CONSULTANT DRAWING NO. L12		DETAILS
NO. REVISIONS DATE BY			DATE 23/03/04		SHEET 27 OF 27
					CAD FILE DRAWING NUMBER MAND20031280C1.DWG
					CITY DRAWING NUMBER P-3247-27