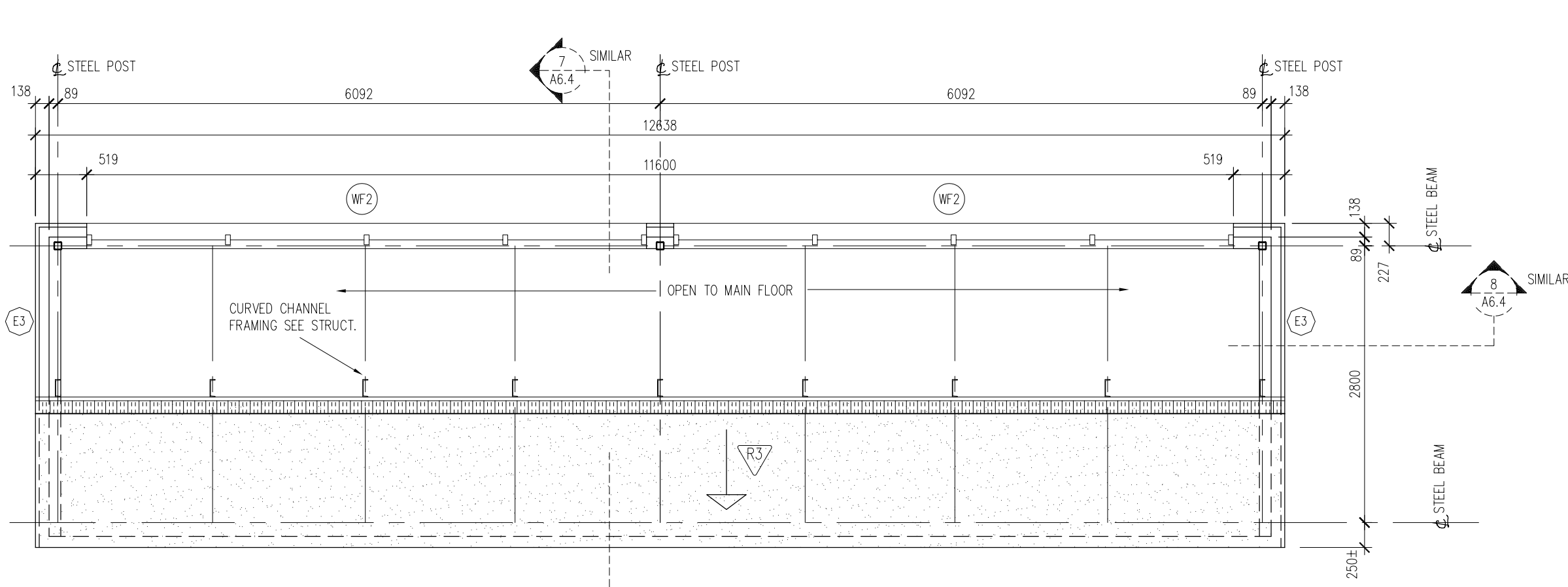
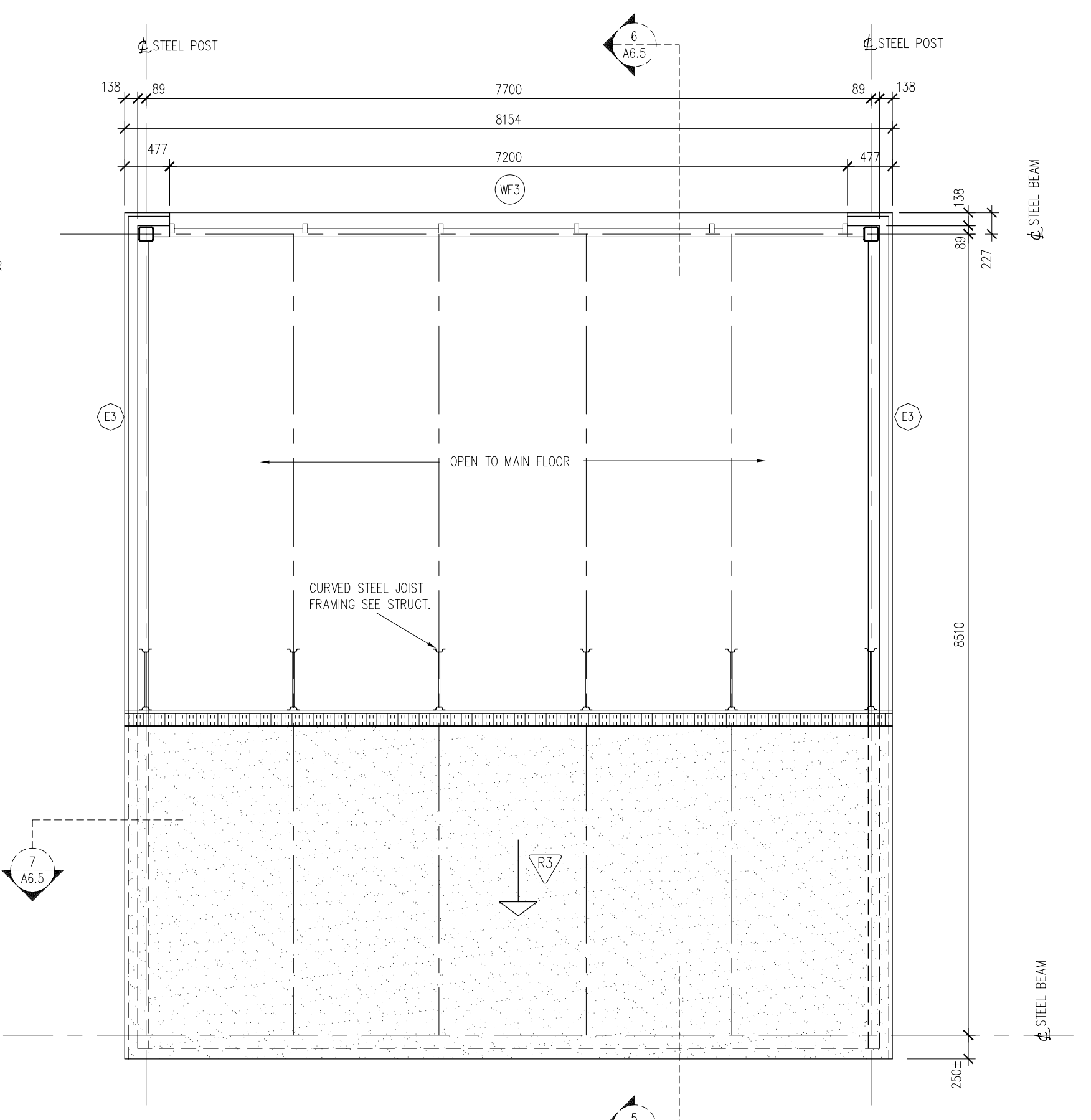


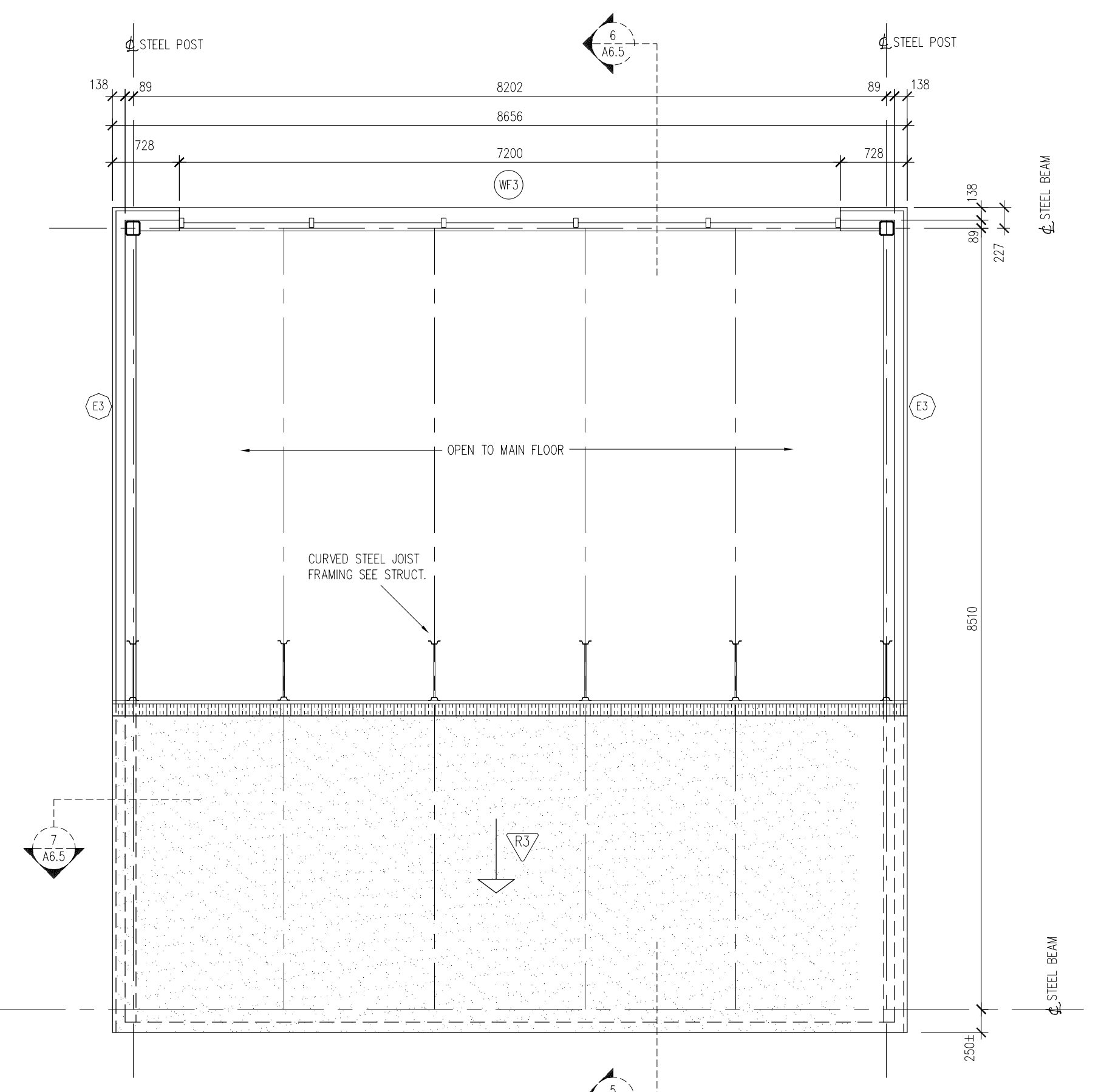
**1**  
**CLERESTORY - TYPE 1**  
**FIVE LOCATIONS THUS**  
 SCALE: 1:50



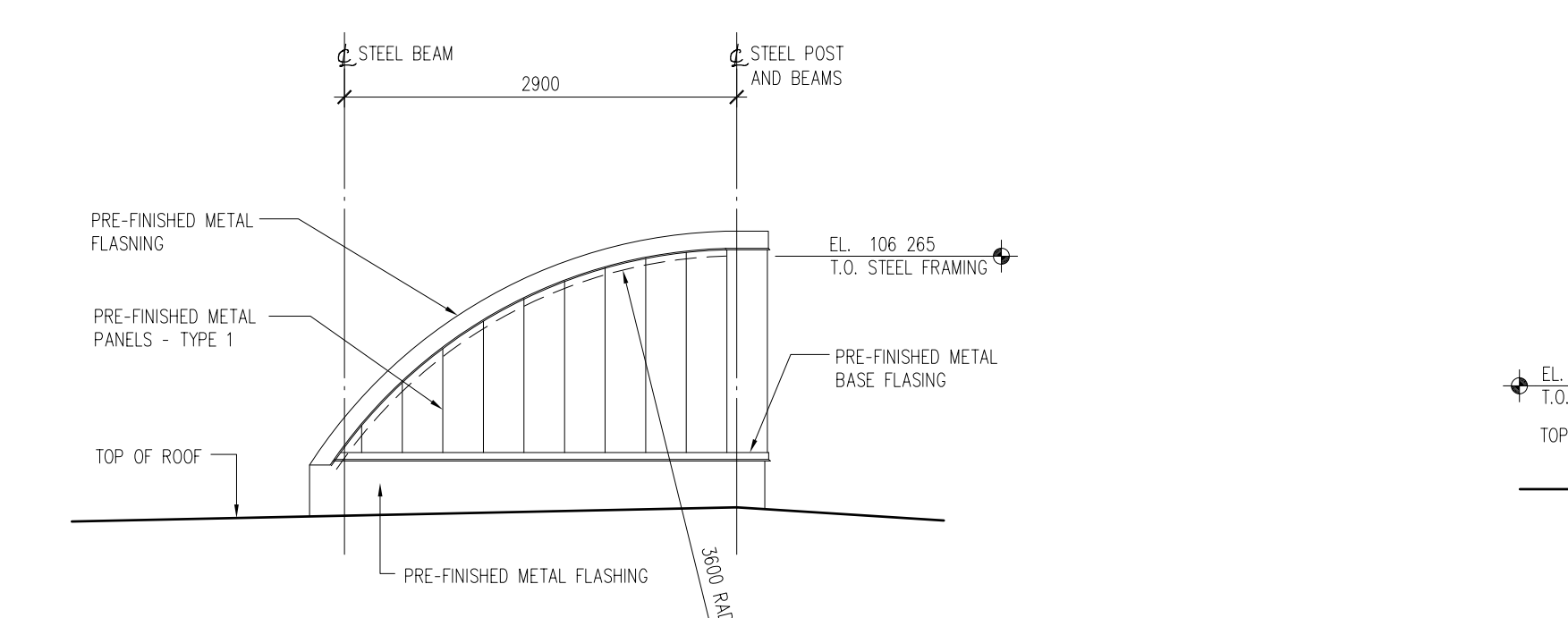
**2**  
**CLERESTORY - TYPE 2**  
**ONE LOCATION THUS**  
 SCALE: 1:50



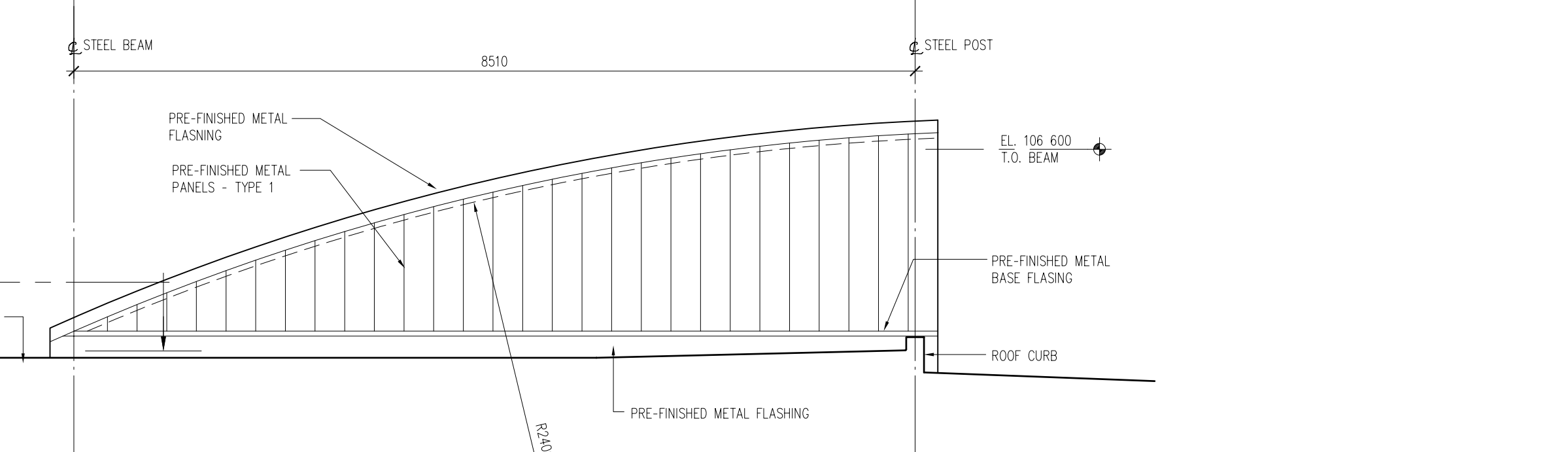
**3**  
**CLERESTORY - TYPE 3**  
**ONE LOCATION THUS**  
 SCALE: 1:50



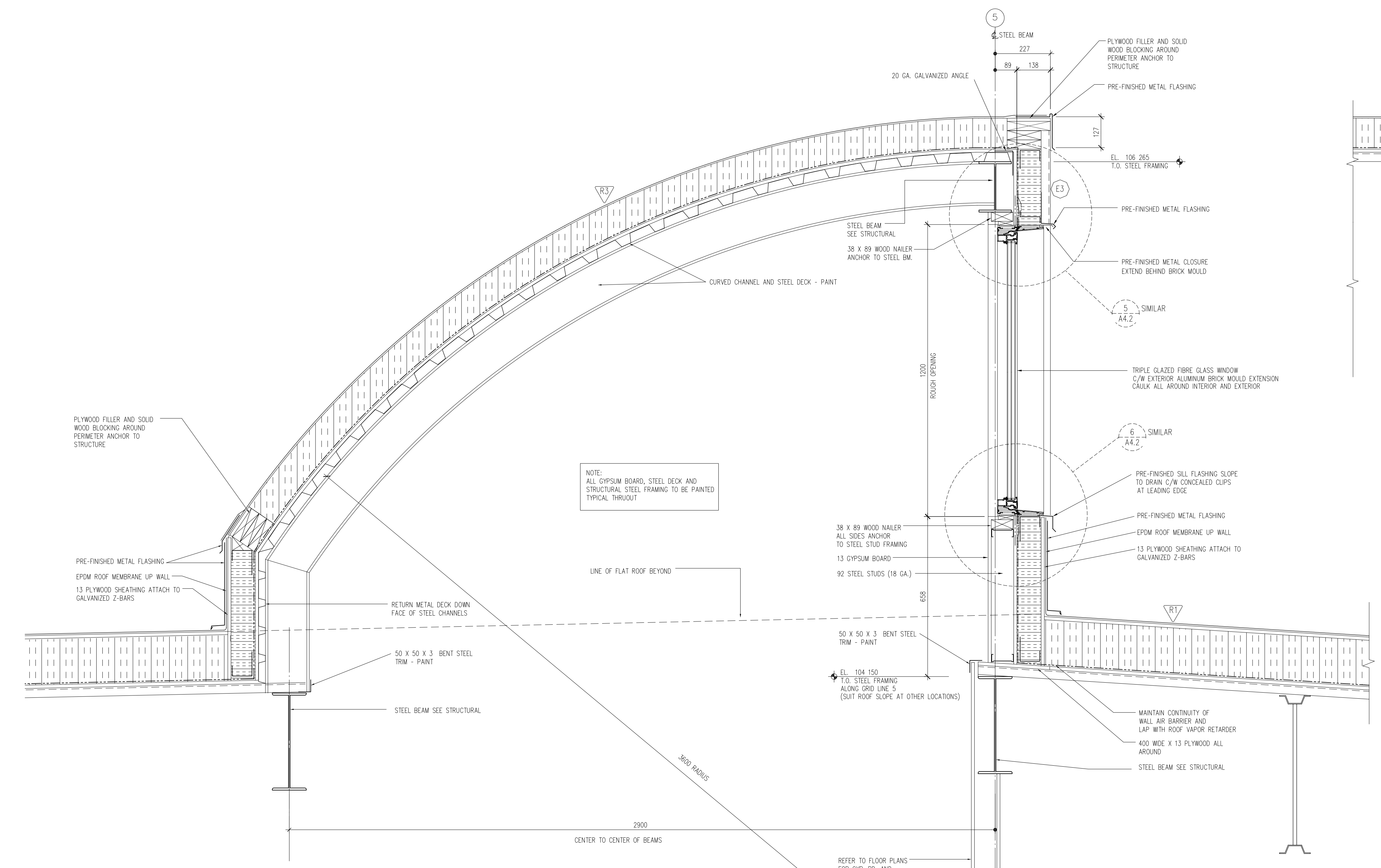
**4**  
**CLERESTORY - TYPE 4**  
**ONE LOCATION THUS**  
 SCALE: 1:50



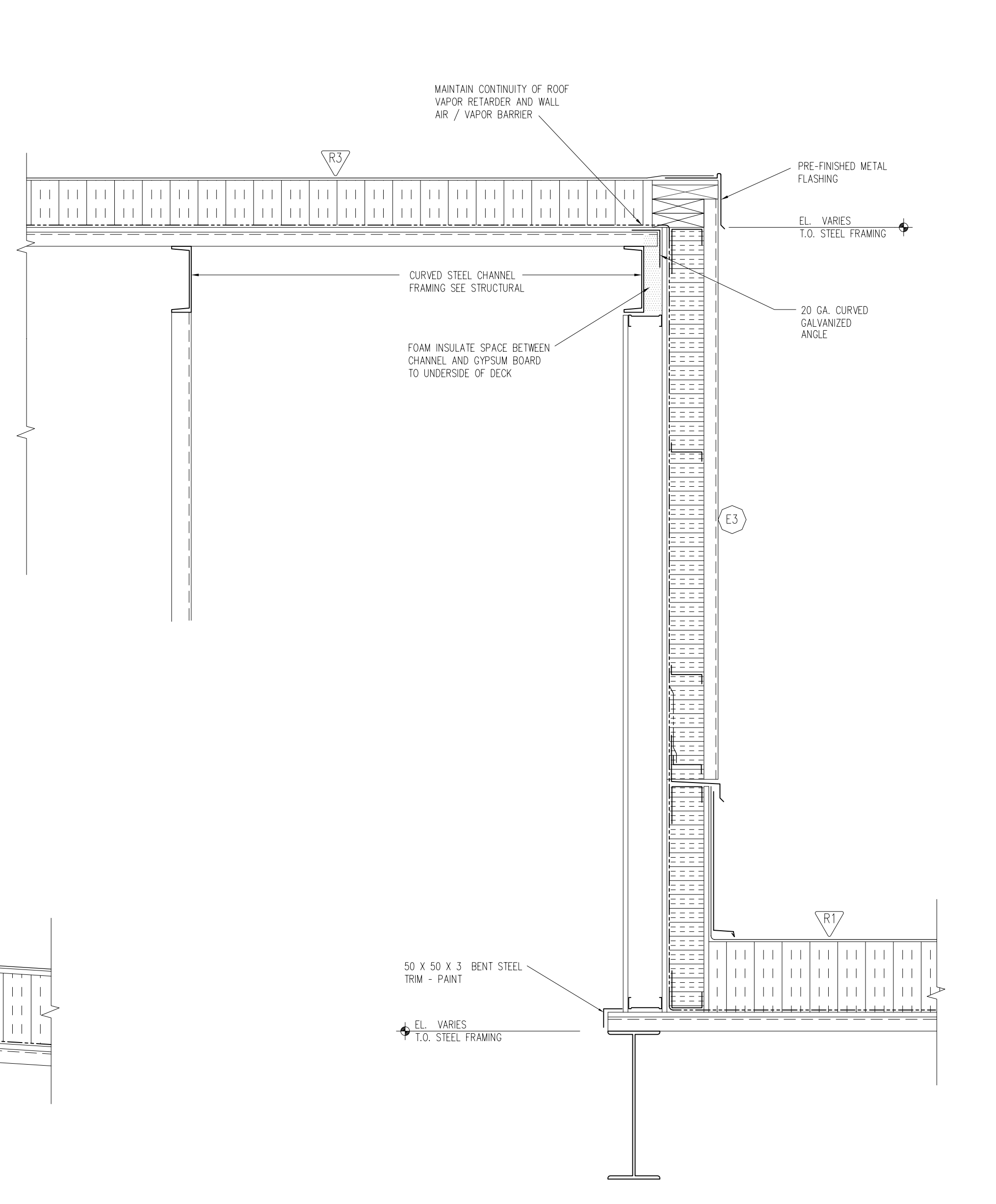
**5**  
**CLERESTORY 1 AND 2**  
**TYPICAL SIDE ELEVATION**  
 SCALE: 1:50



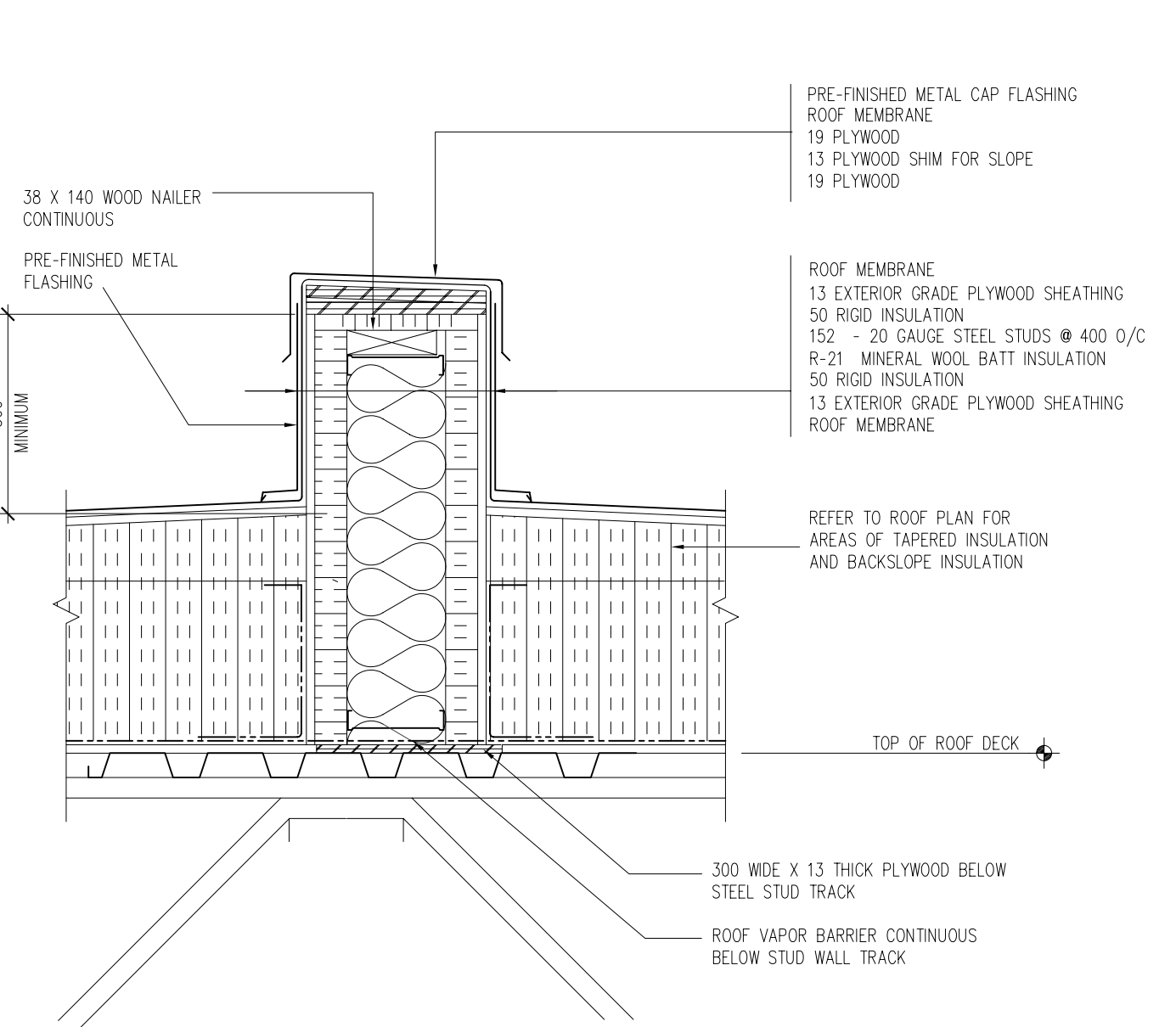
**6**  
**CLERESTORY 3 AND 4**  
**TYPICAL SIDE ELEVATION**  
 SCALE: 1:50



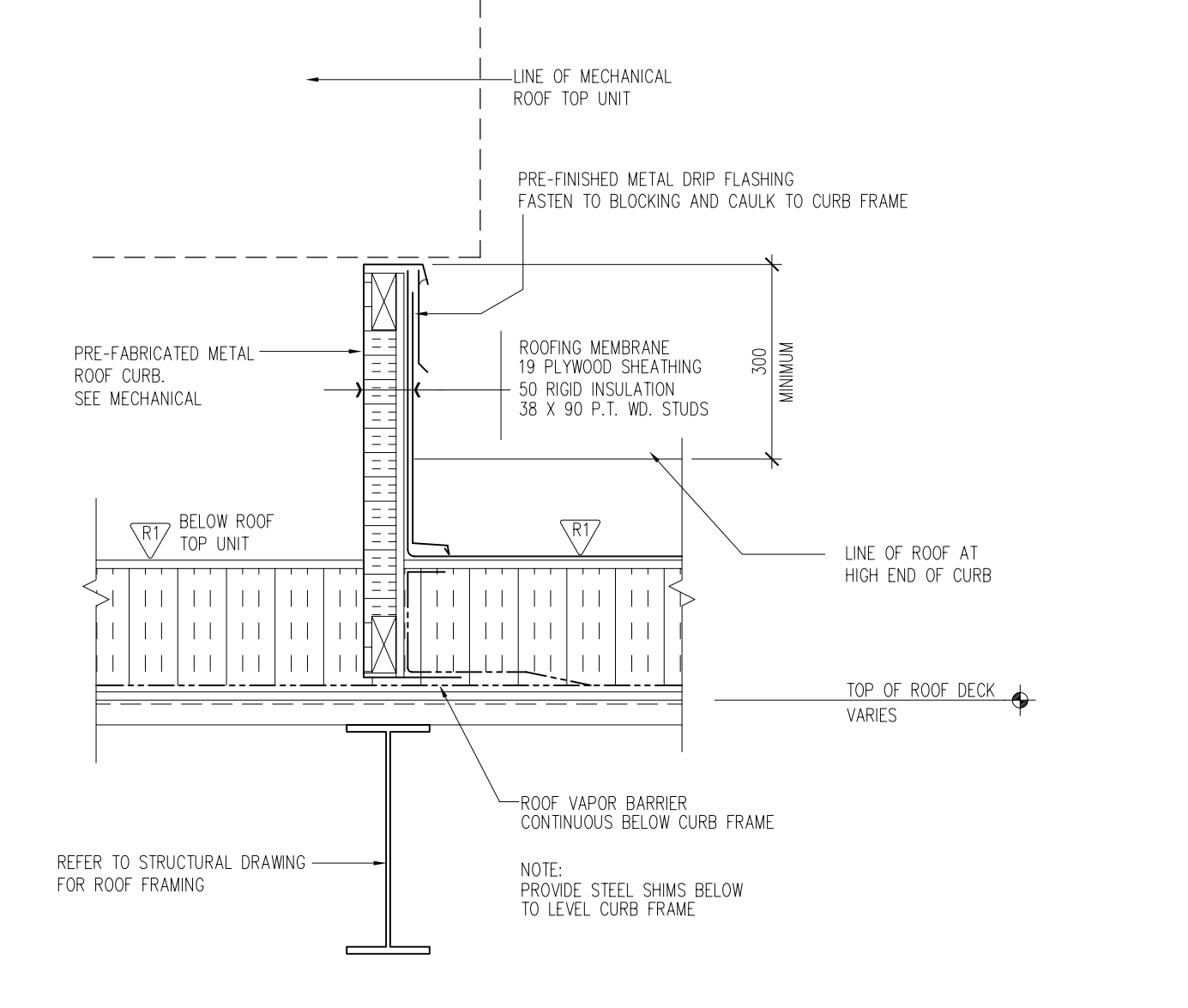
**7**  
**CROSS SECTION AT CURVED**  
**CLERESTORY 1 AND 2**  
 SCALE: 1:10



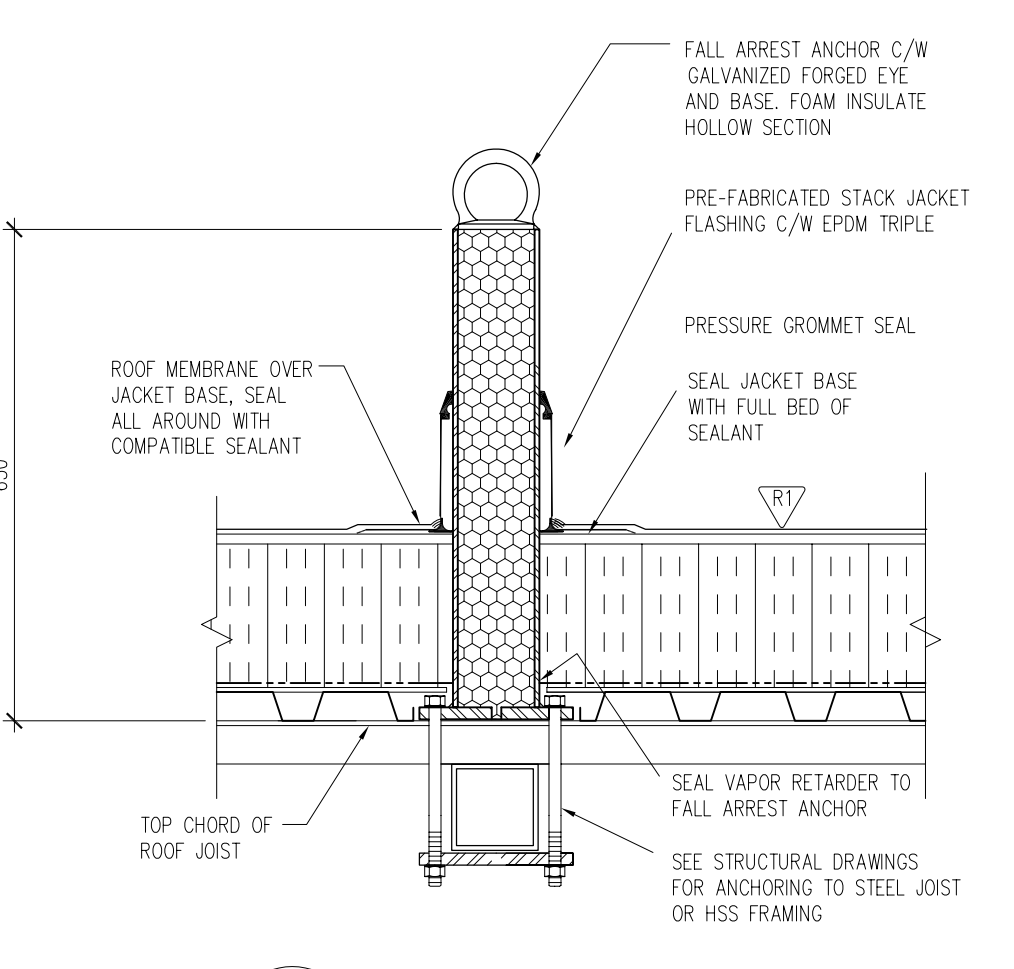
**8**  
**WALL SECTION AT**  
**CURVED CLERESTORY**  
 SCALE: 1:10



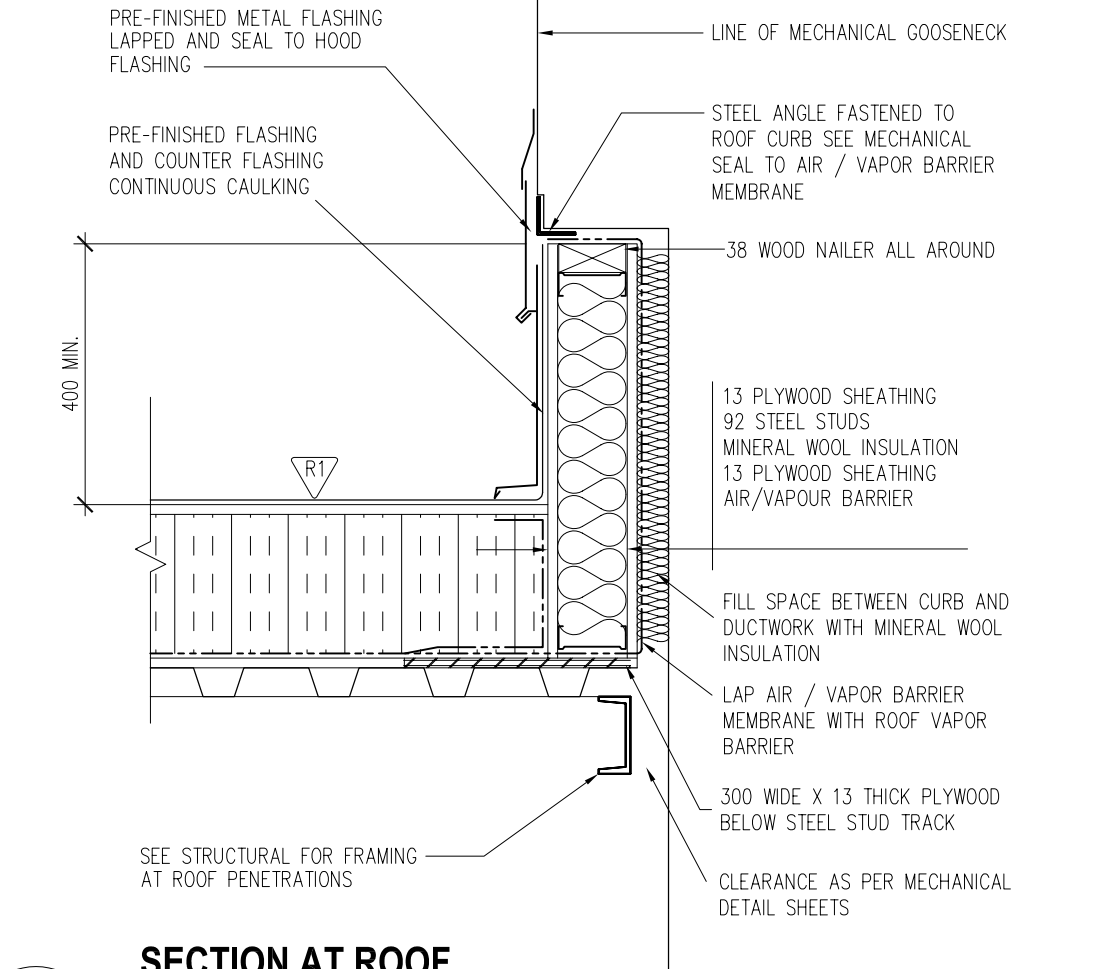
**9**  
**SECTION AT TYPICAL**  
**ROOF DIVIDER**  
 SCALE: 1:10



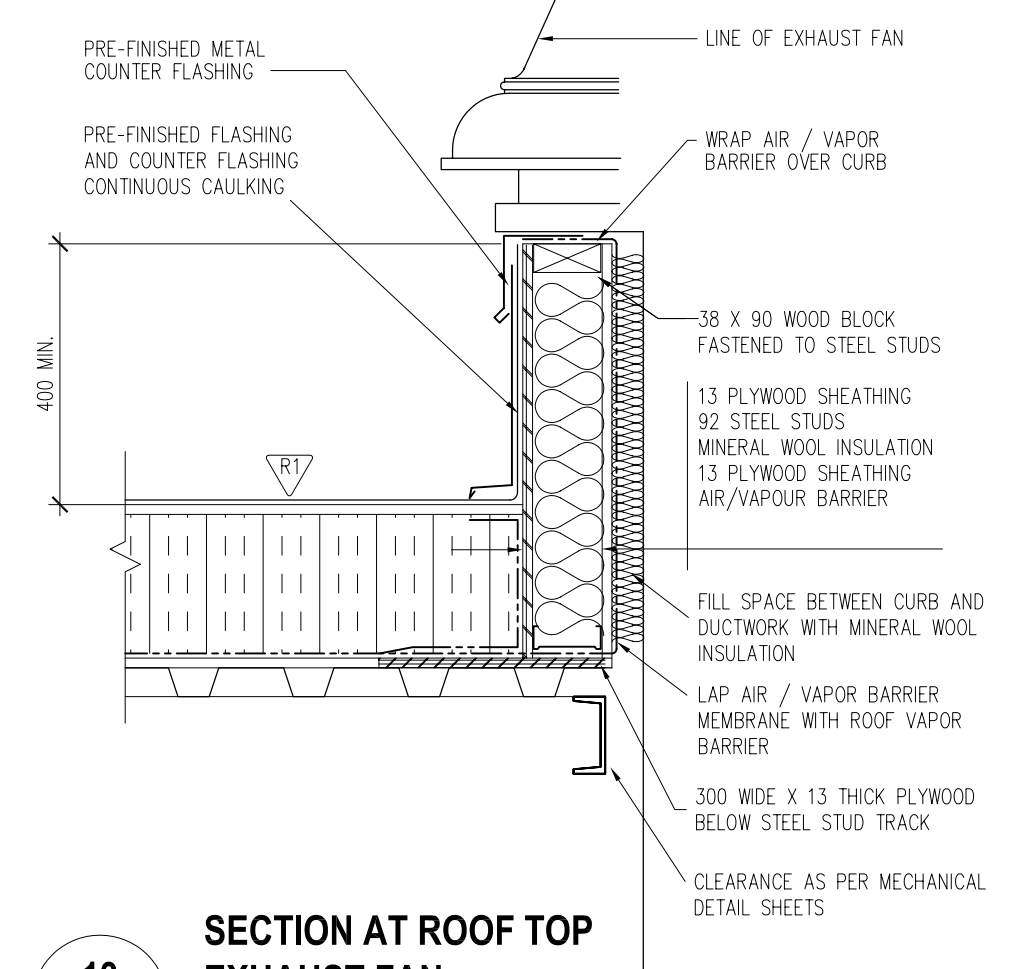
**10**  
**CURB DETAIL AT**  
**ROOF TOP MECH UNITS**  
 SCALE: 1:10



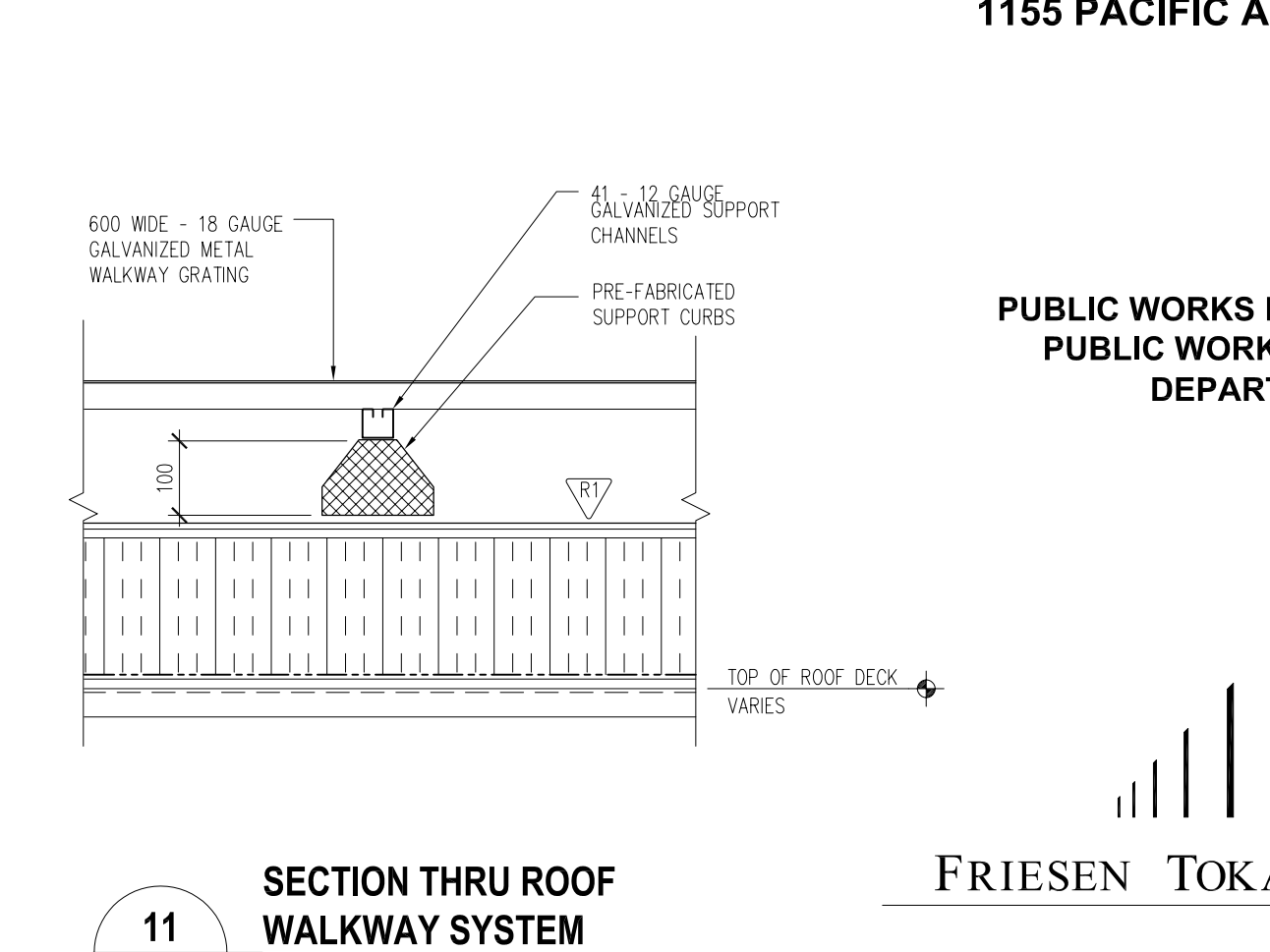
**13**  
**FALL ARREST ANCHOR**  
 SCALE: 1:10



**12**  
**SECTION AT ROOF**  
**TOP GOOSENECK**  
 SCALE: 1:10



**13**  
**SECTION AT ROOF TOP**  
**EXHAUST FAN**  
 SCALE: 1:10



**11**  
**SECTION THRU ROOF**  
**WALKWAY SYSTEM**  
 SCALE: 1:10

Drawings and specifications, as instruments of service, are the property of the architect. The copyright in the same being reserved to him. No reproduction may be made without the permission of the architect and when made, must bear his name. Attention is directed to the following: The contractor shall verify dimensions and shall verify items with conditions on the site and is held responsible for reporting any discrepancy to the architect for adjustment. This drawing shall not be used for building purposes until counterchecked by:

**THE CITY OF WINNIPEG**  
**1155 PACIFIC AVENUE CONSOLIDATION**

**PUBLIC WORKS DEPARTMENT RENOVATION**  
**PUBLIC WORKS AND WATER & WASTE**  
**DEPARTMENTS ADDITION**

FRIESEN TOKAR ARCHITECTS

PROJECT TITLE: **CLERESTORY PLANS, SIDE ELEVATIONS**  
 SECTIONS AND MISC. ROOF DETAILS

**A6.4**