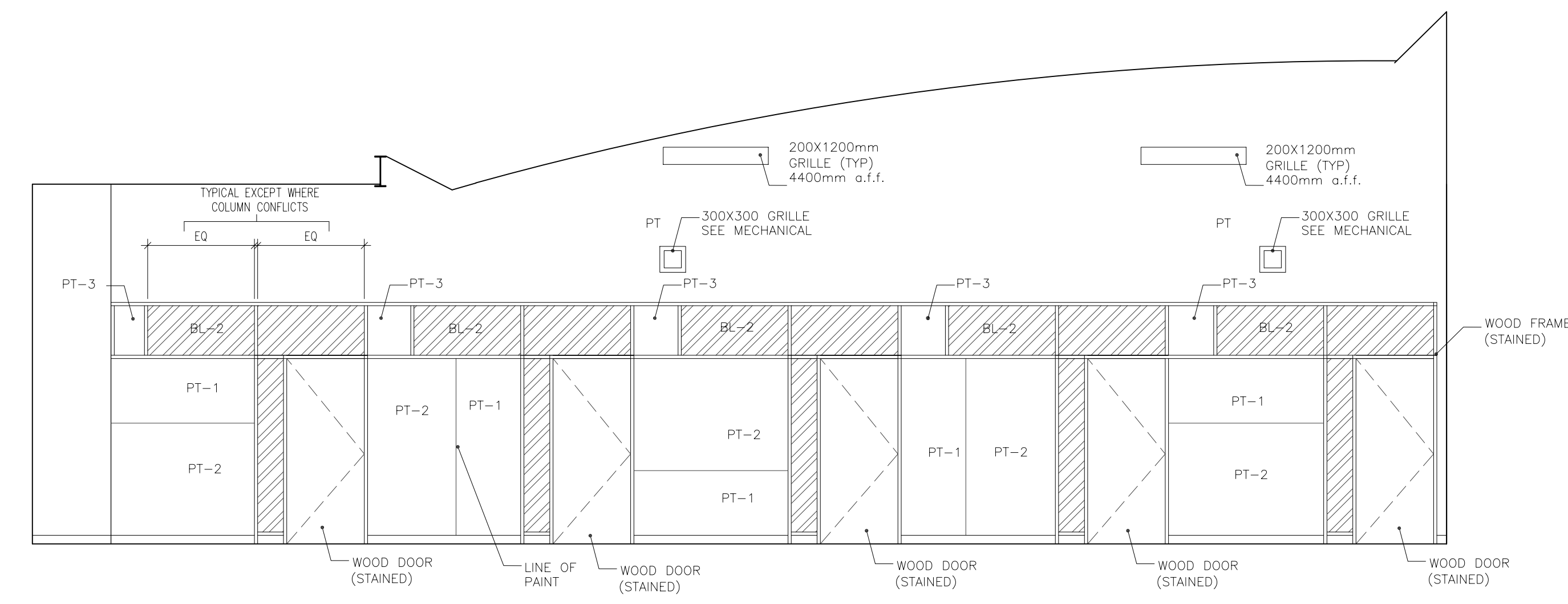
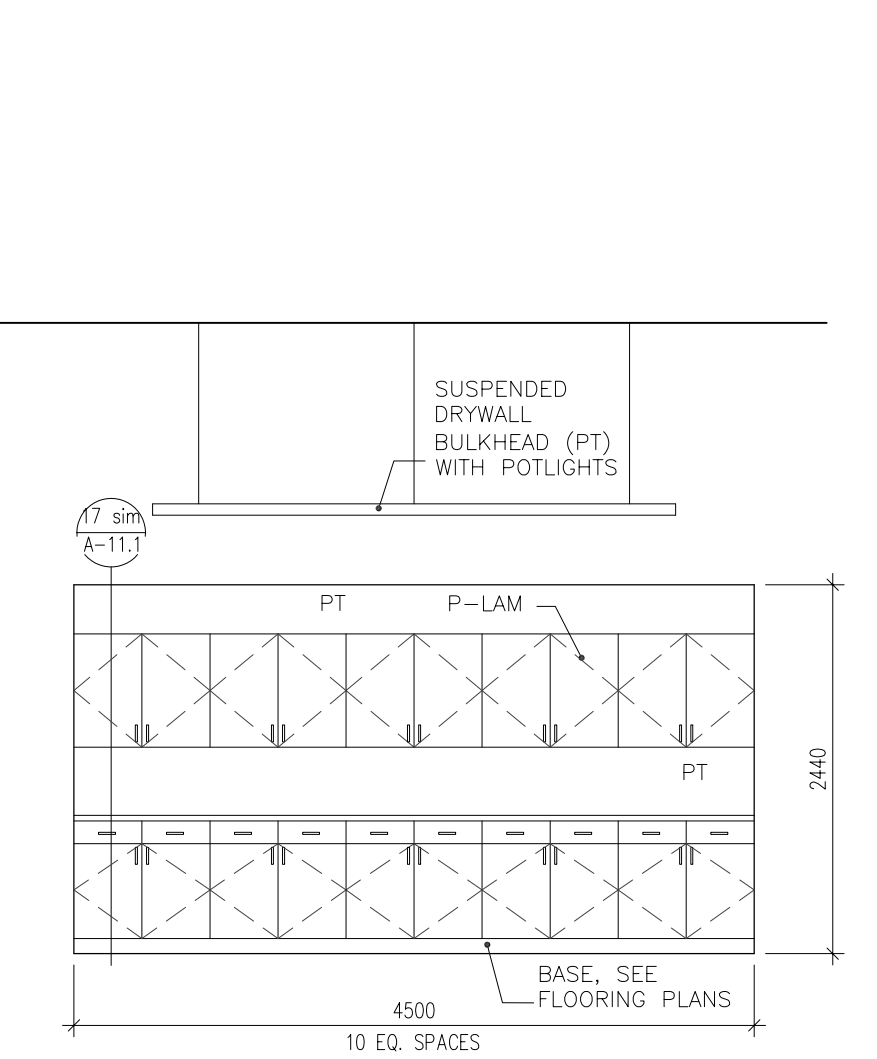


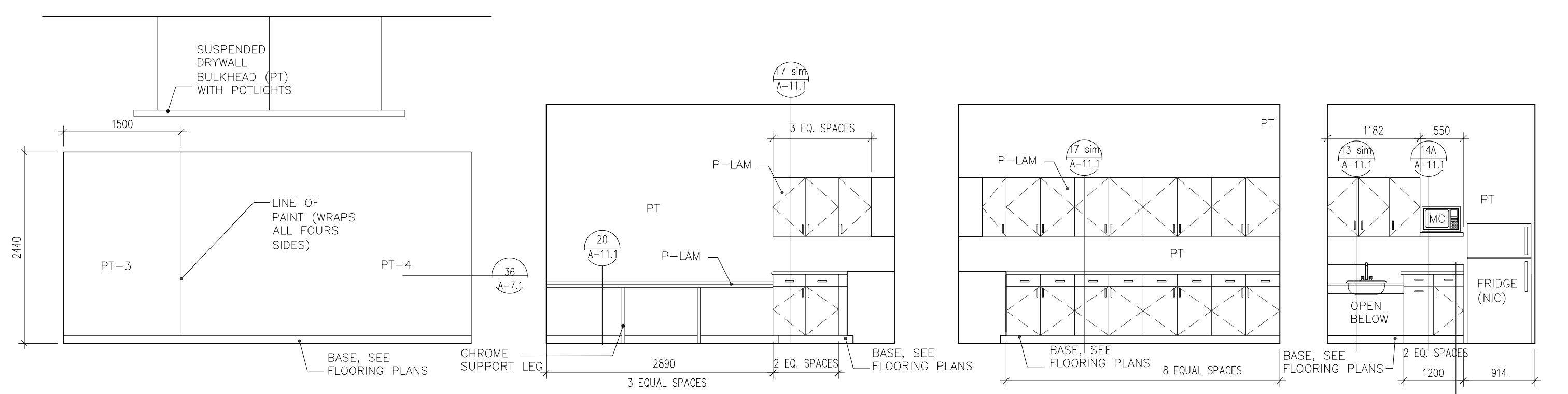
28 CORRIDOR - EN-WW-31
 A9.3 1:10



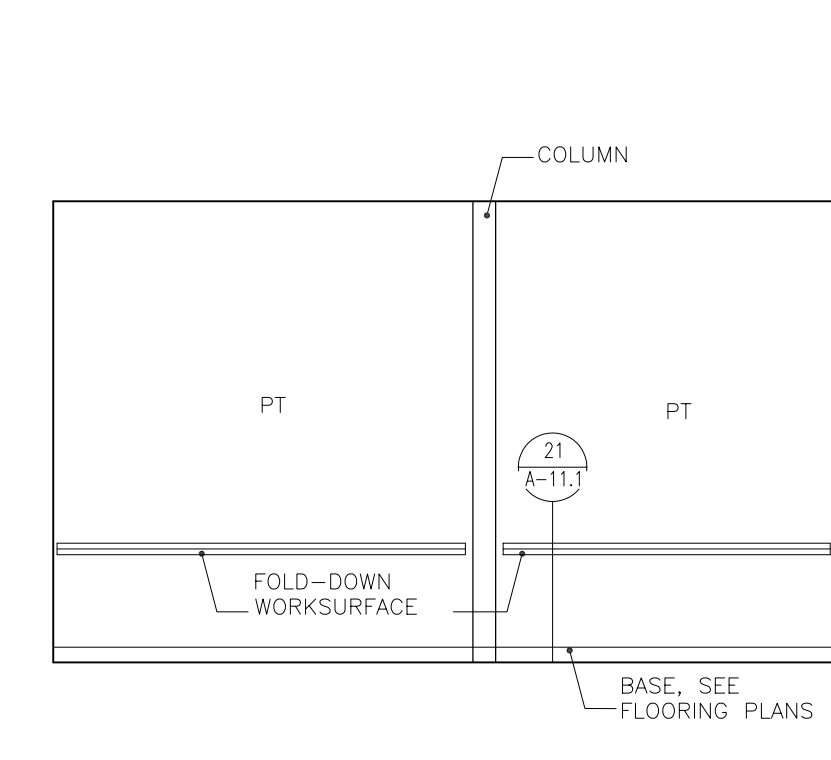
29 OPEN OFFICE AREA - EN-WW-42
 A9.2 1:10



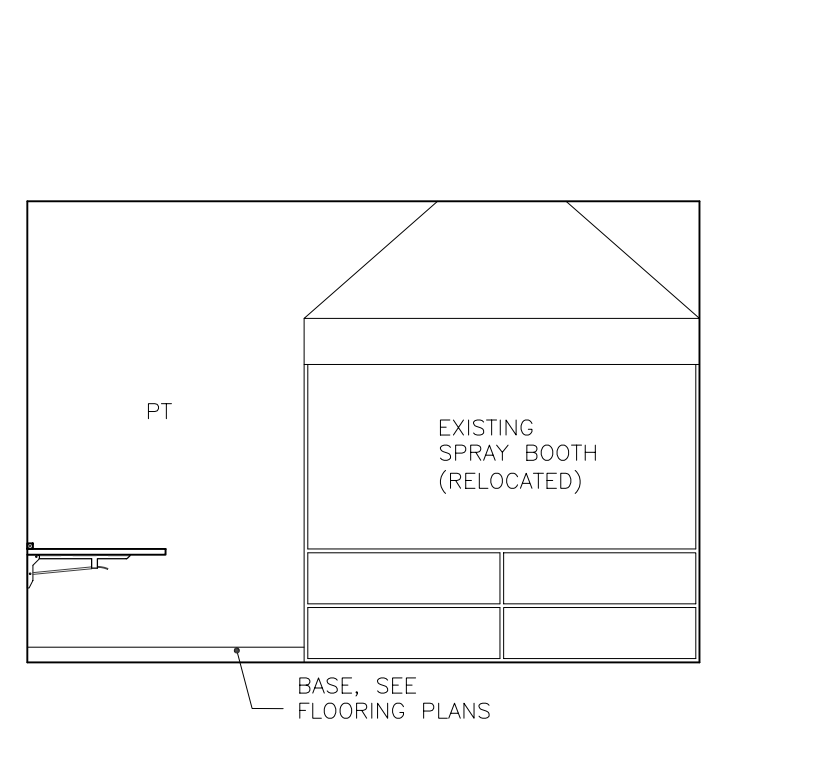
30 FILES - RO-WW-47
 A9.3 1:10



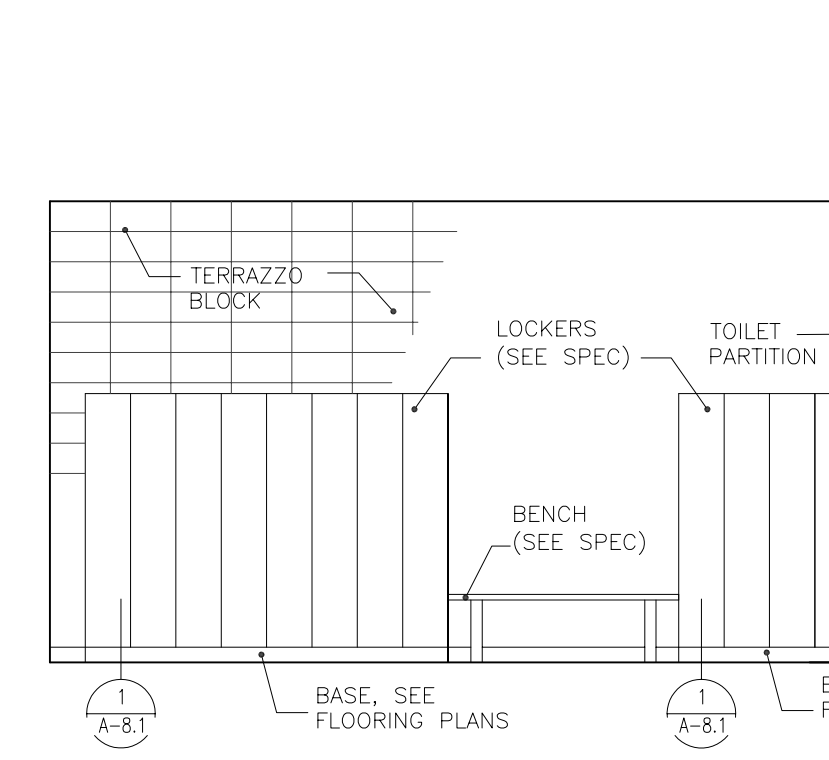
31 FILES - RO-WW-47
 A9.3 1:10



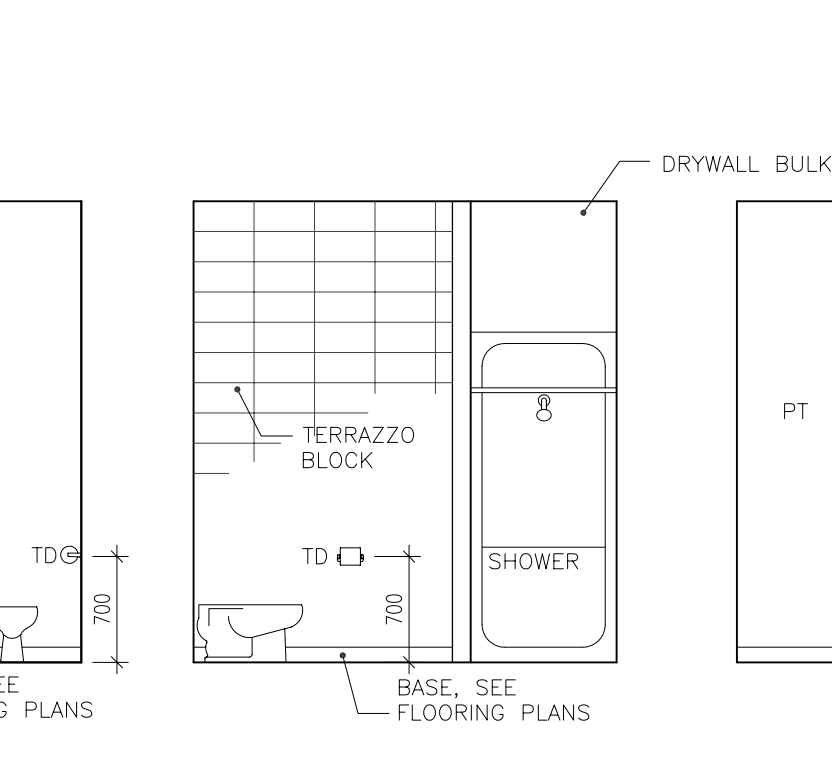
32 WORKROOM - EN-WW-44
 A9.3 1:10



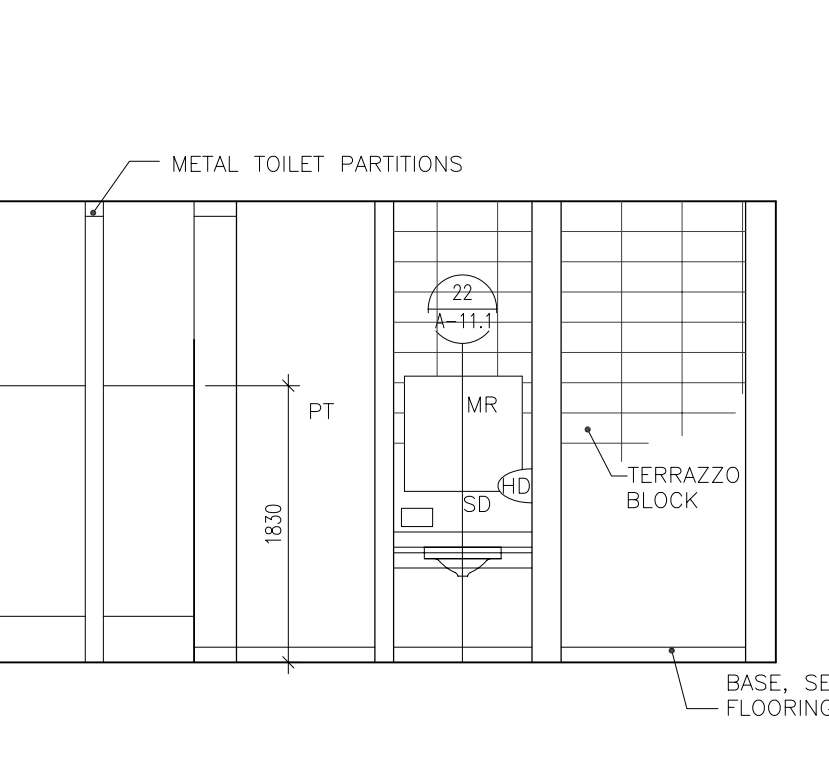
33 WORKROOM - EN-WW-44
 A9.3 1:10



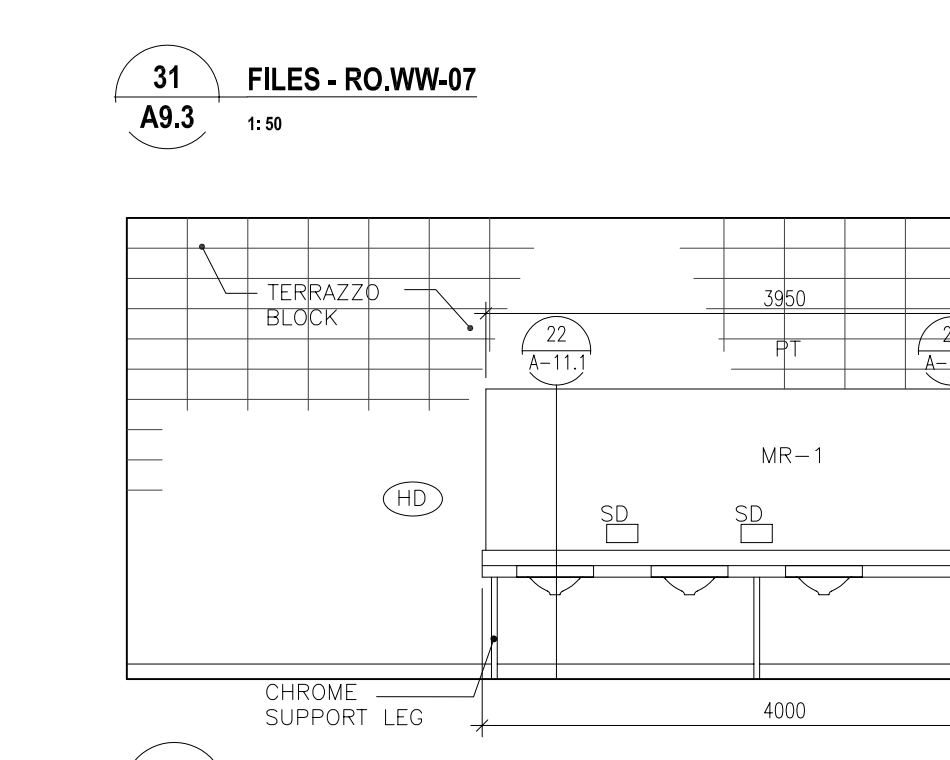
34 MEN'S LOCKERS - GEN-WW-08
 A9.3 1:10



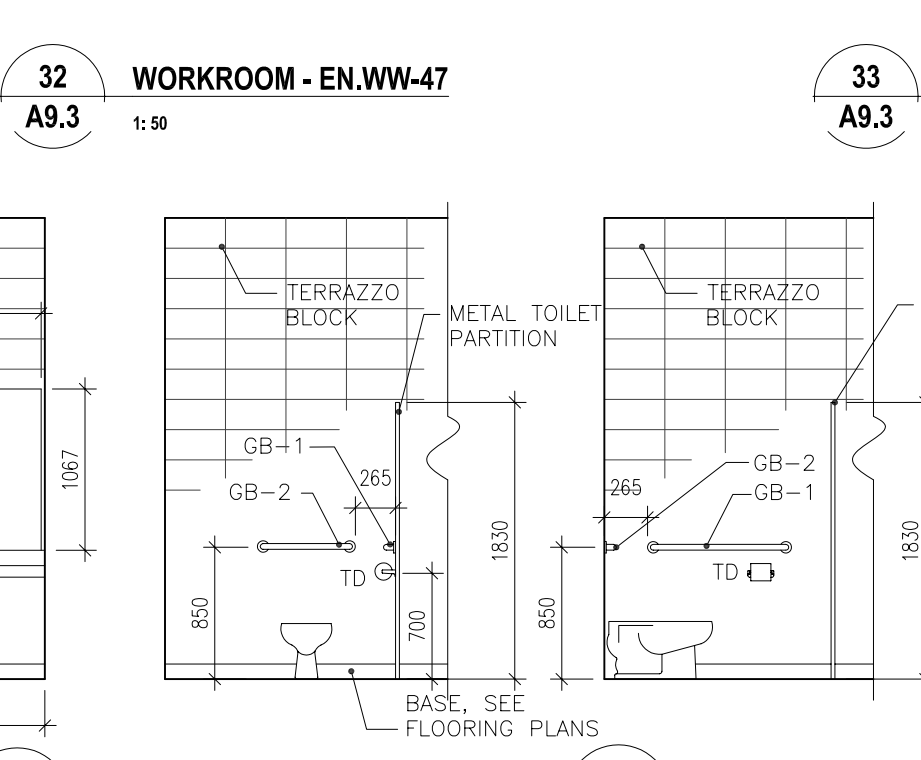
35 MEN'S LOCKERS - GEN-WW-08
 A9.3 1:10



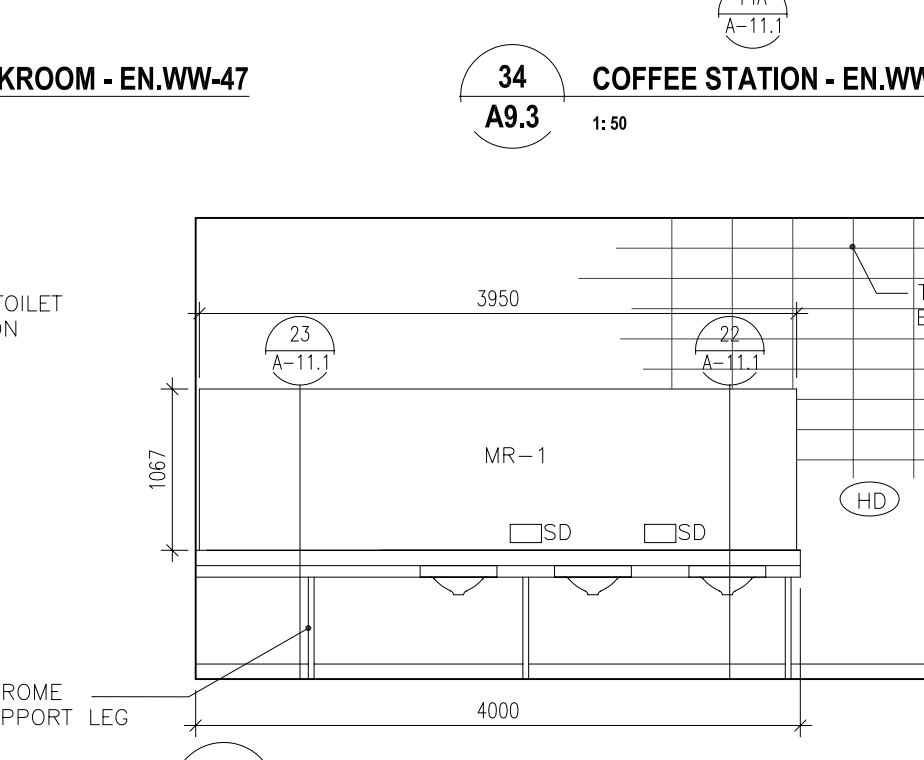
36 MEN'S LOCKERS - GEN-WW-08
 A9.3 1:10



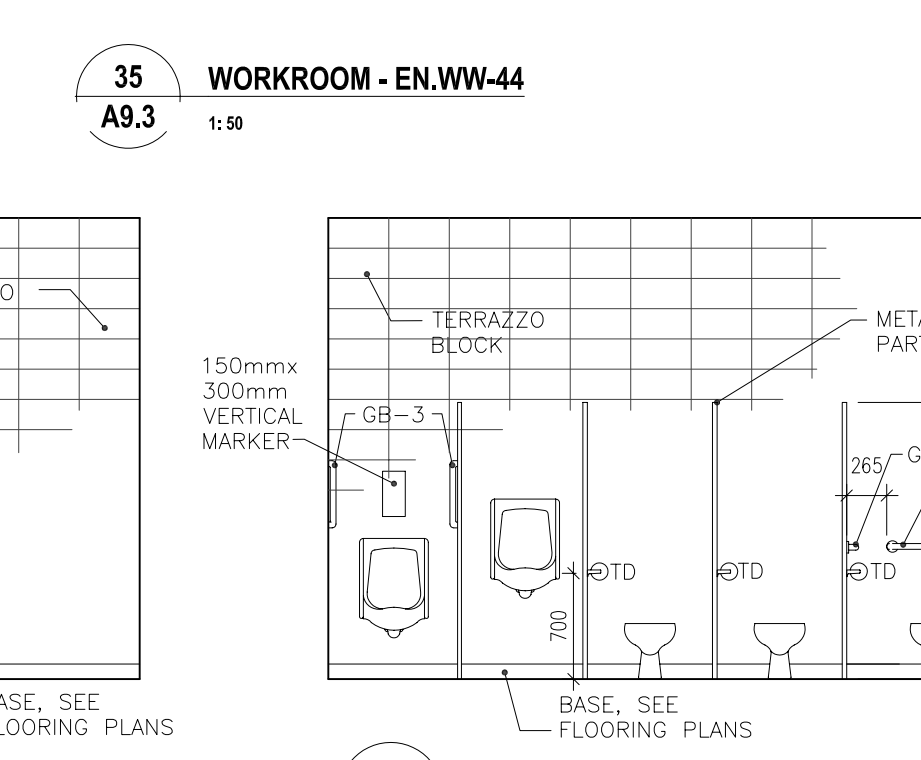
40 WOMEN'S WASHROOM GEN-WW-04-02
 A9.3 1:10



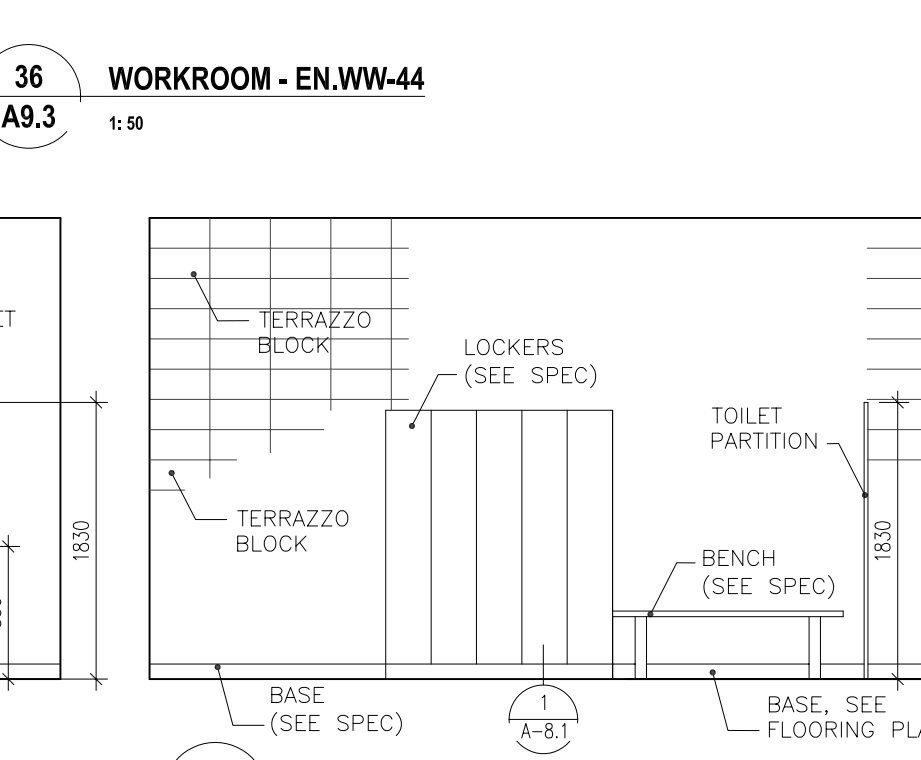
41 WOMEN'S WC GEN-WW-04-02
 A9.3 1:10



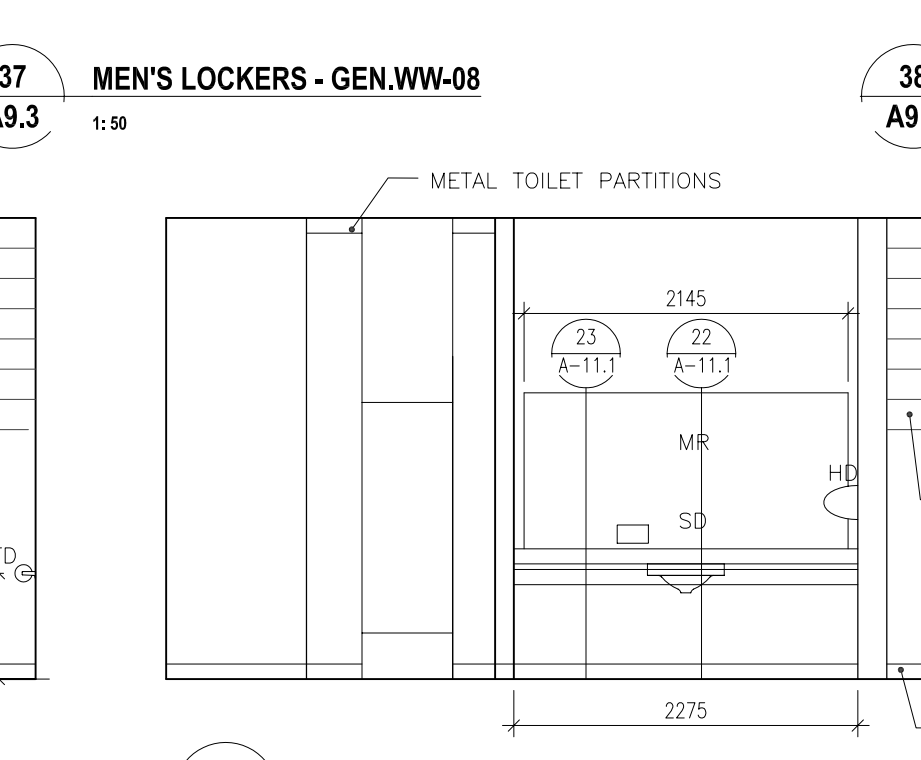
42 WOMEN'S WC GEN-WW-04-02
 A9.3 1:10



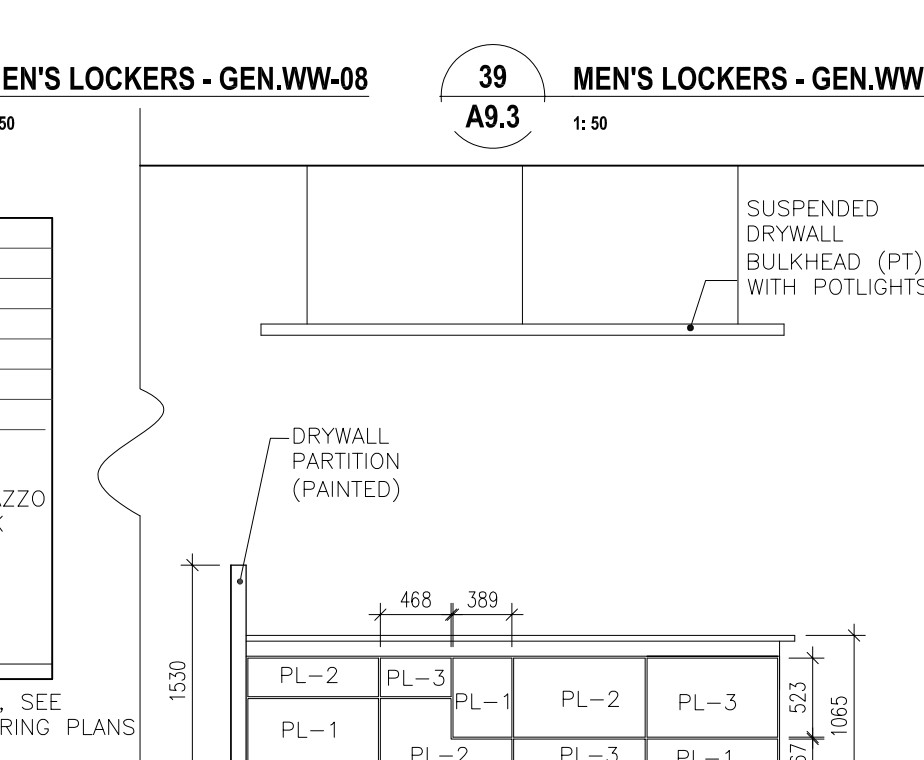
43 MEN'S WASHROOM GEN-WW-04-01
 A9.3 1:10



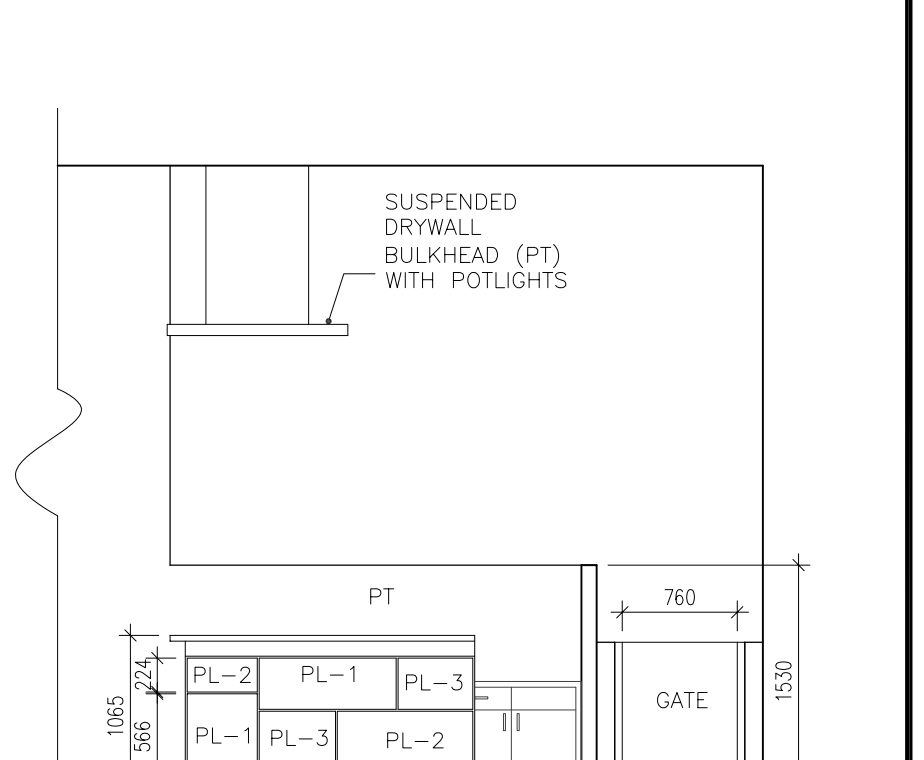
44 MEN'S WASHROOM GEN-WW-04-01
 A9.3 1:10



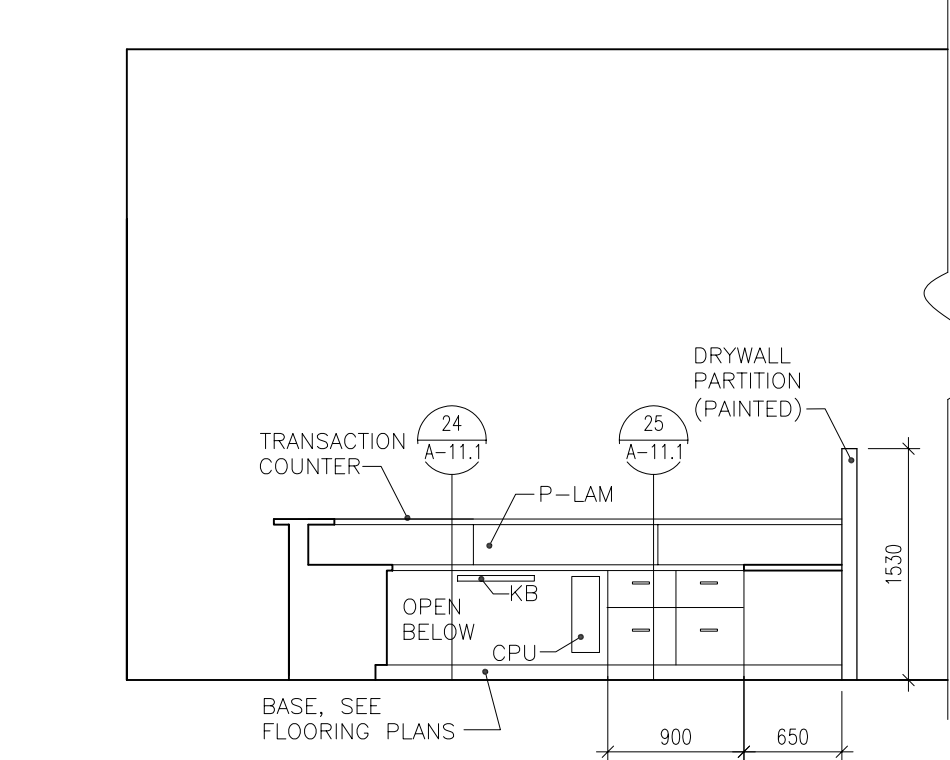
45 WOMEN'S LOCKERS - GEN-WW-09
 A9.3 1:10



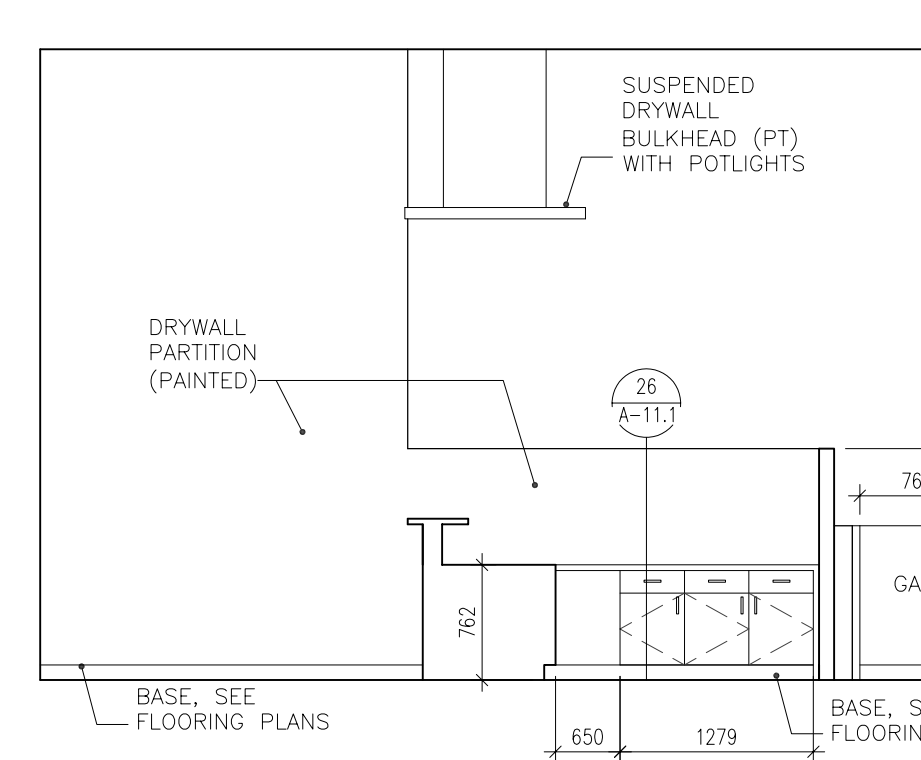
46 WOMEN'S LOCKERS - GEN-WW-09
 A9.3 1:10



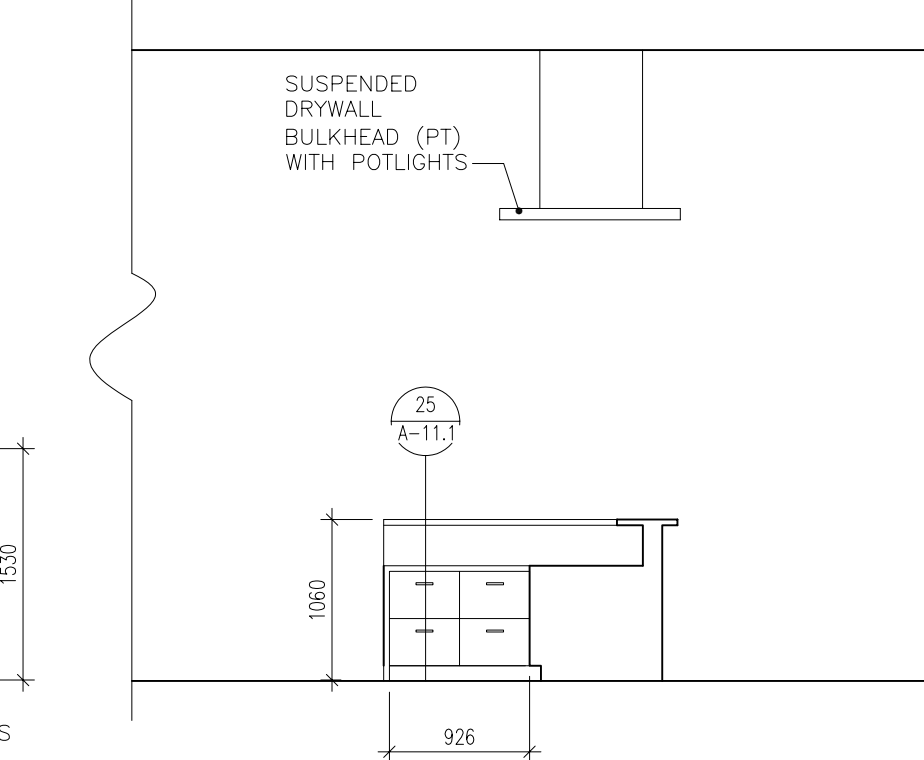
47 RECEIVING COUNTER GEN-WW-14
 A9.3 1:10



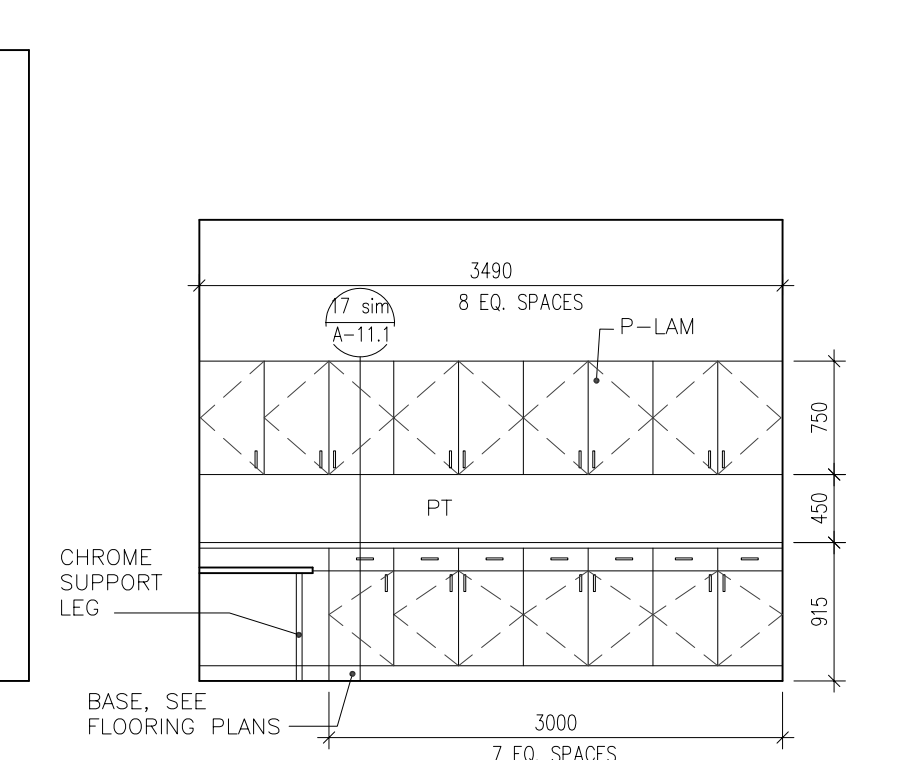
48 RECEIVING COUNTER GEN-WW-14
 A9.3 1:10



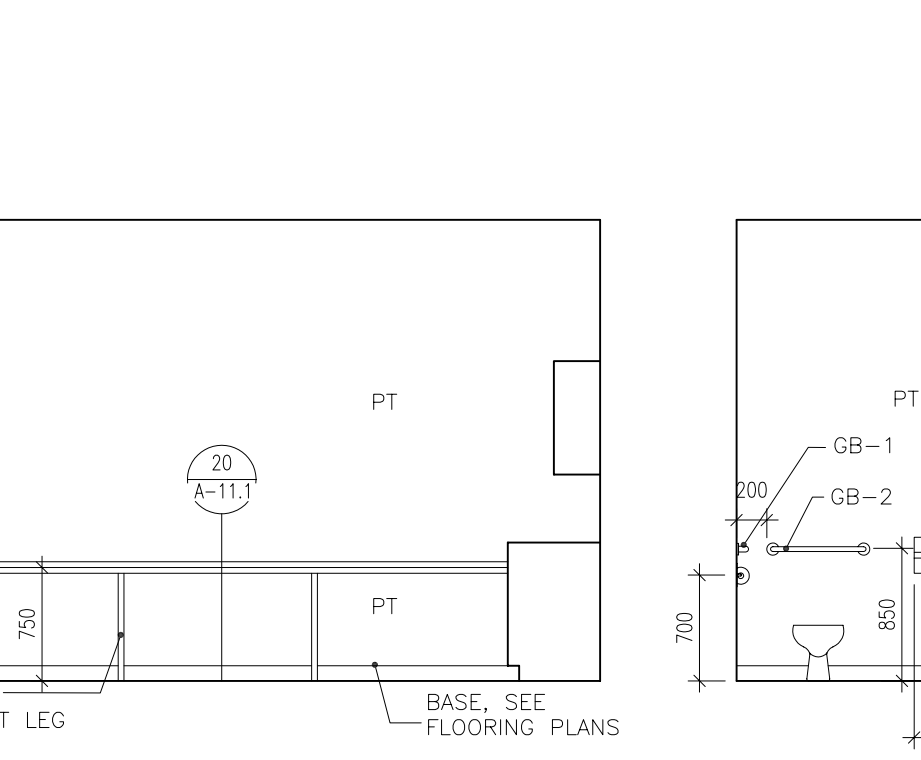
49 RECEIVING COUNTER GEN-WW-14
 A9.3 1:10



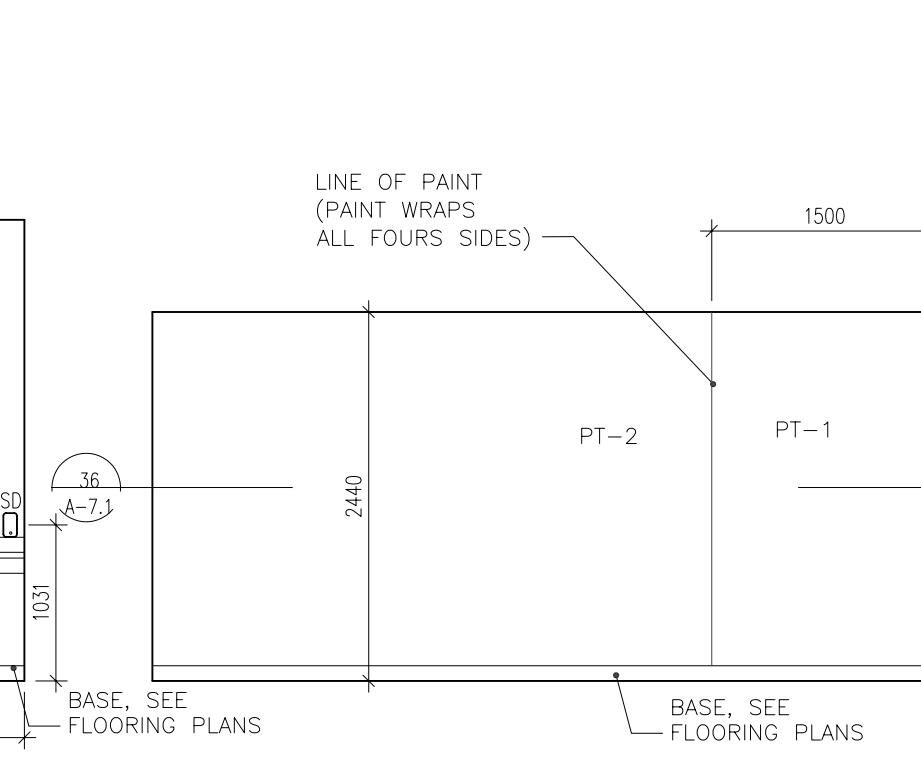
50 WORKROOM GEN-WW-17
 A9.3 1:10



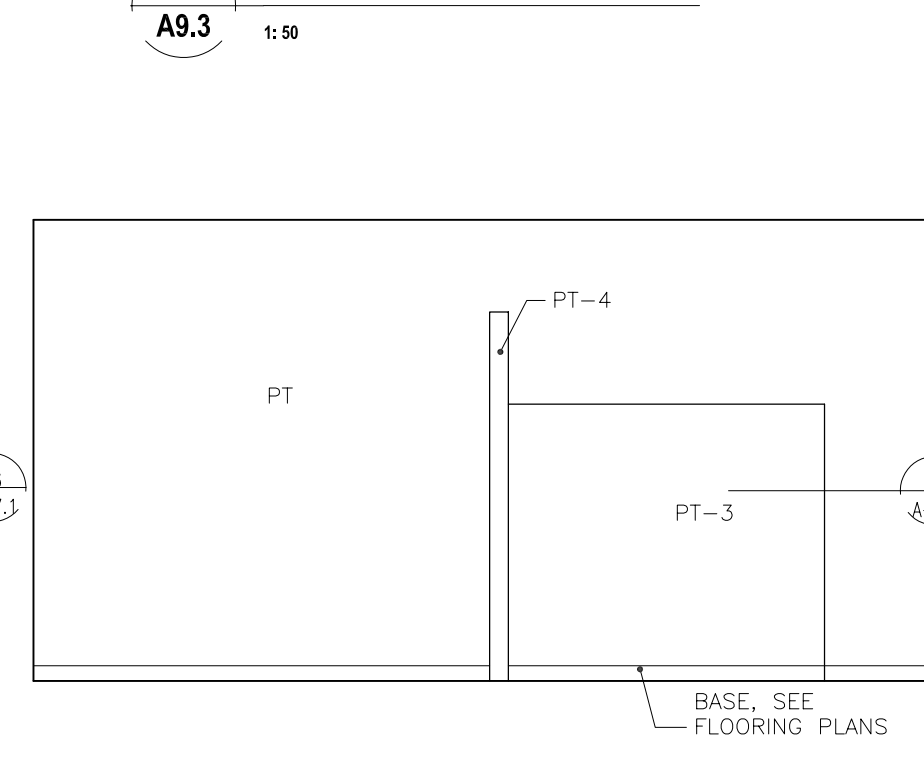
51 WORKROOM GEN-WW-17
 A9.3 1:10



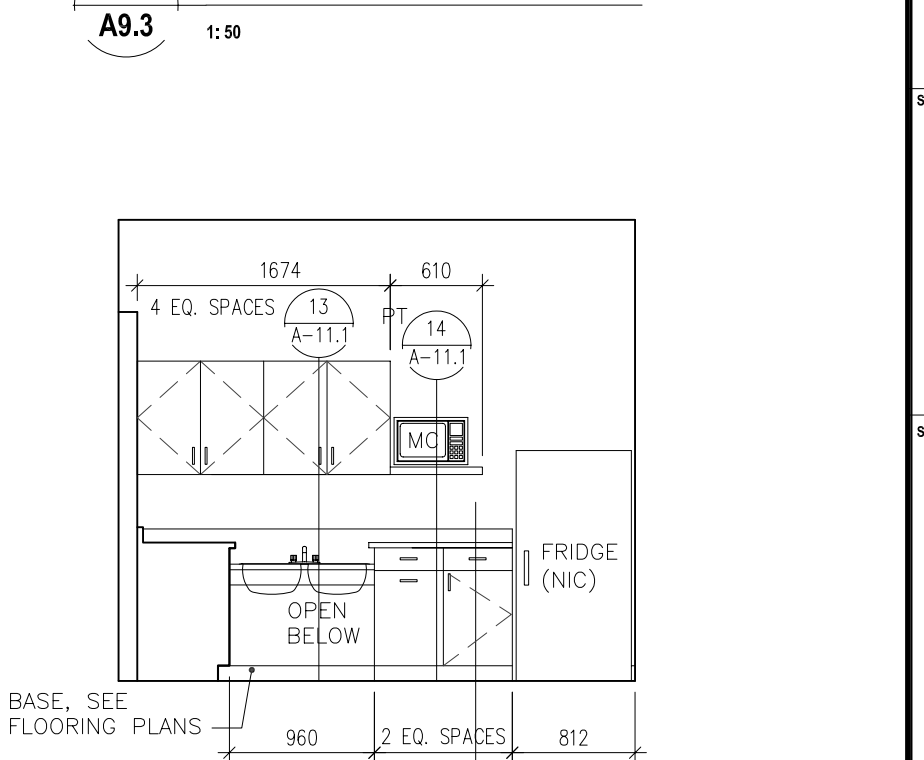
52 MEN'S W/C GEN-WW-03
 A9.3 1:10



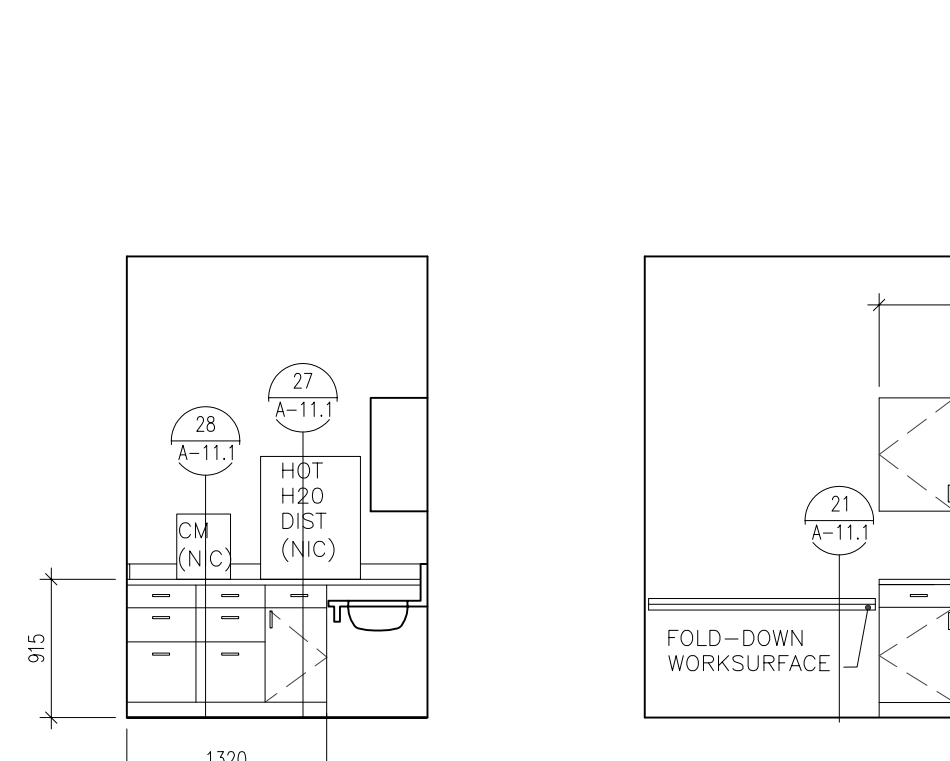
53 CORRIDOR BS-PW-03
 A9.3 1:10



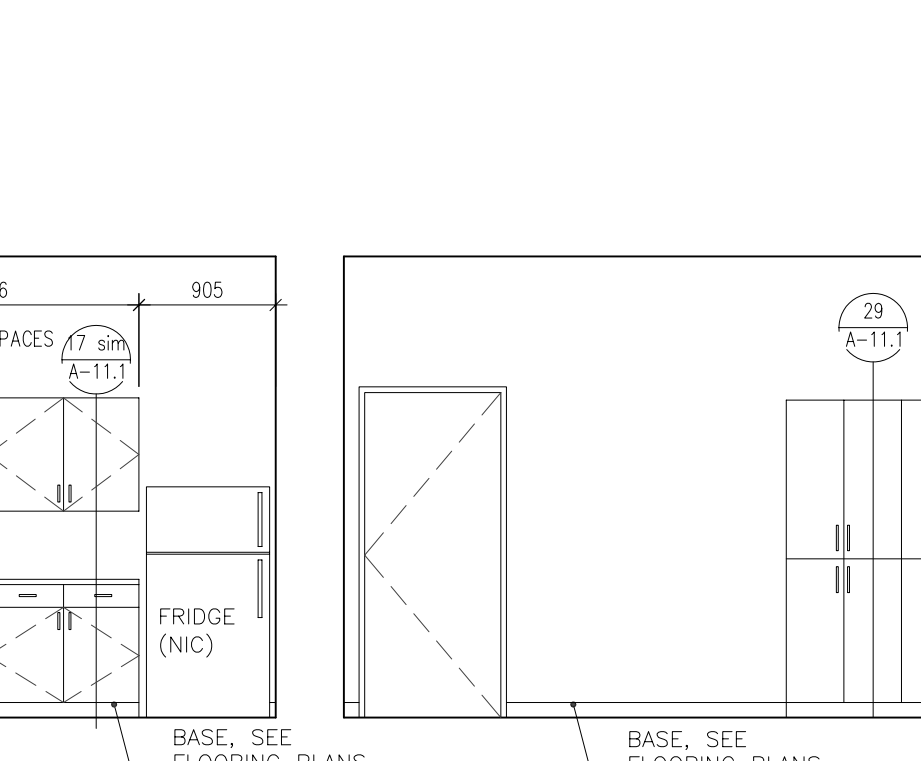
54 CORRIDOR BS-PW-03
 A9.3 1:10



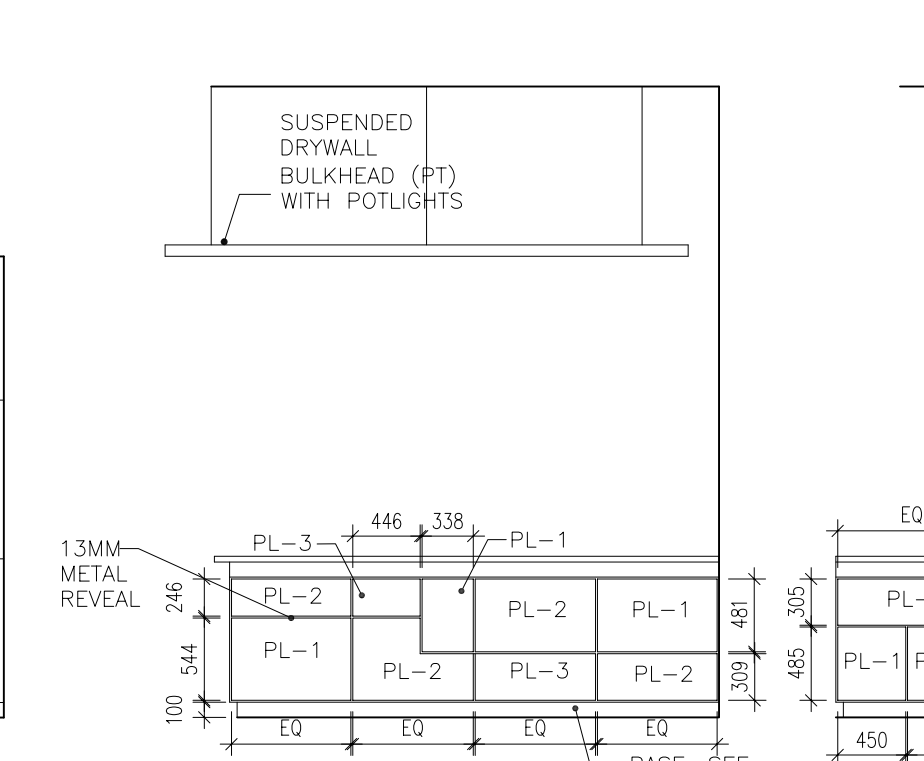
55 COFFEE STATION BS-PW-02
 A9.3 1:10



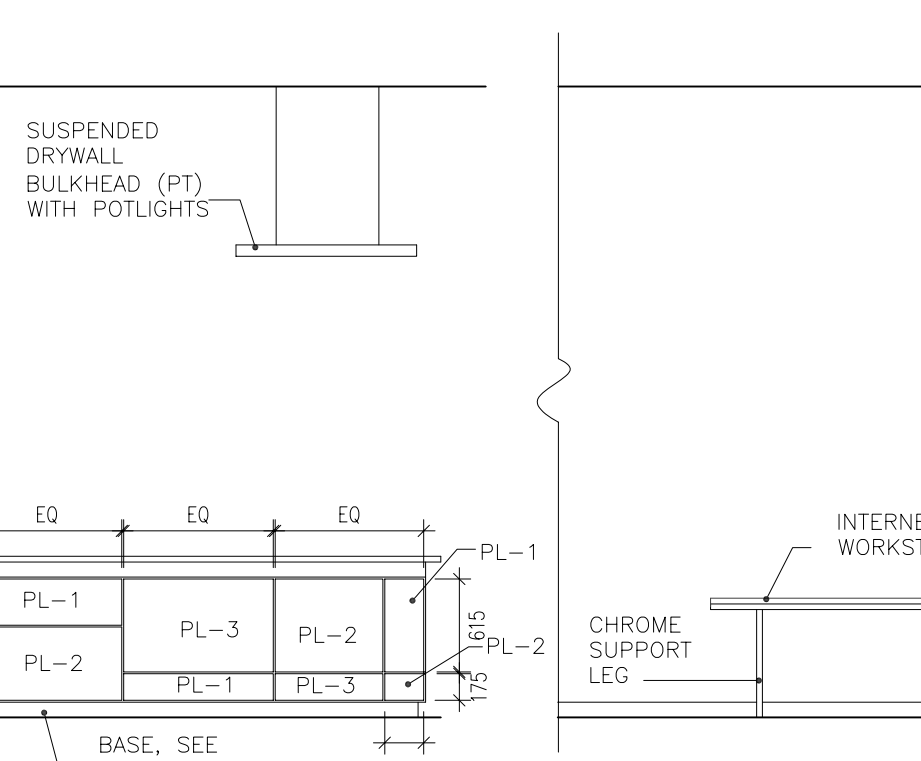
55A COFFEE ST BS-PW-02
 A9.3 1:10



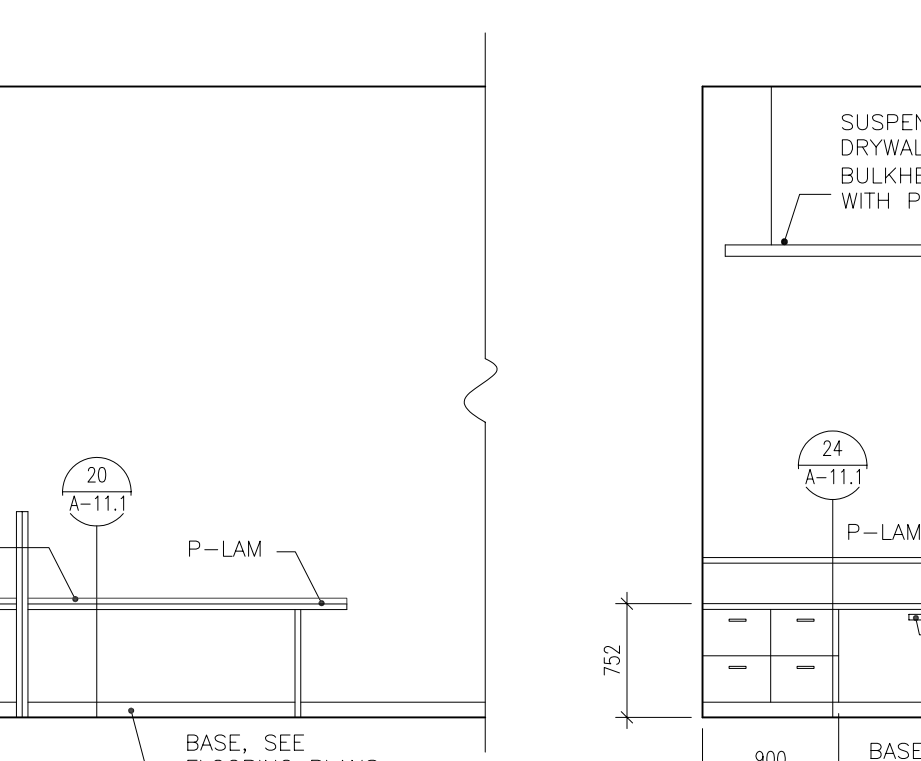
56 WORKROOM GEN-WW-35
 A9.3 1:10



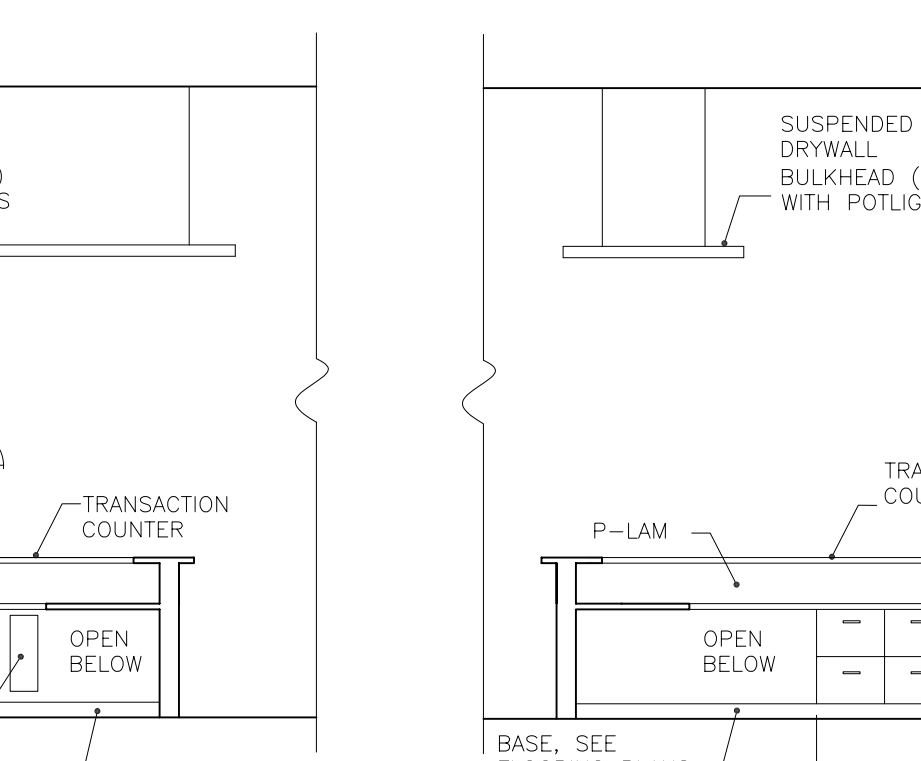
56A WORKROOM GEN-WW-35
 A9.3 1:10



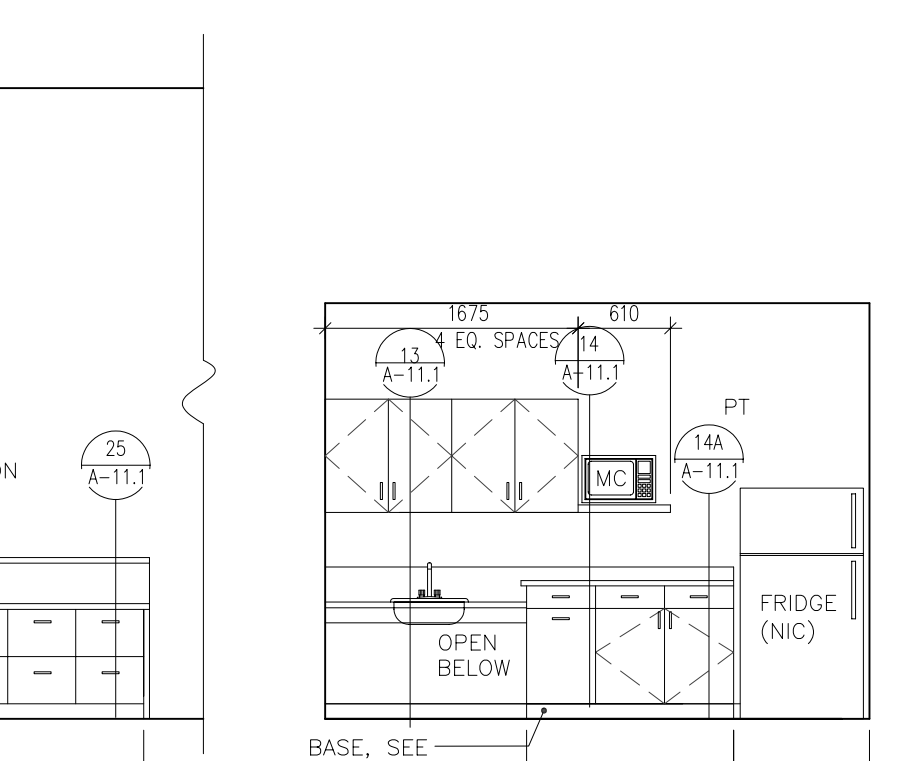
57 LIBRARY GEN-WW-34
 A9.3 1:10



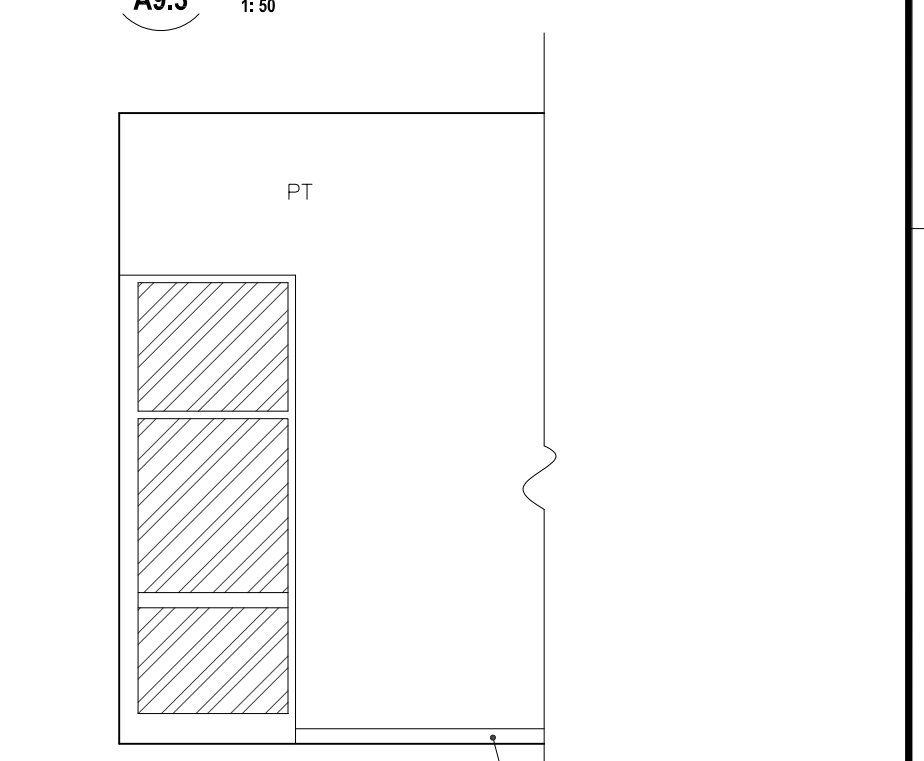
57A LIBRARY GEN-WW-34
 A9.3 1:10



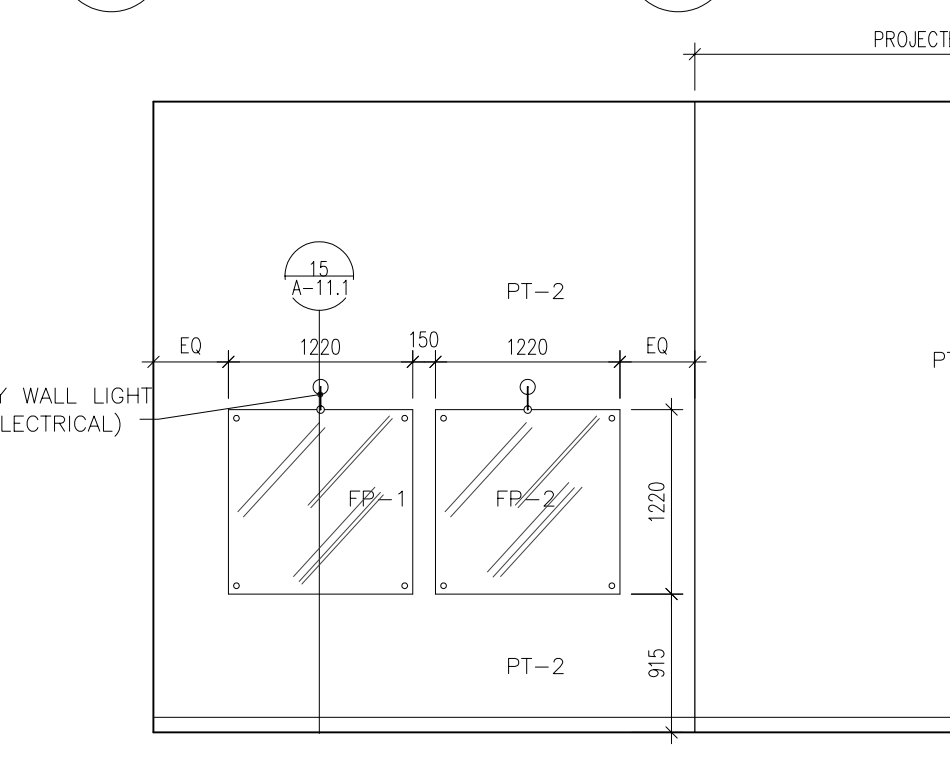
58 LIBRARY GEN-WW-34
 A9.3 1:10



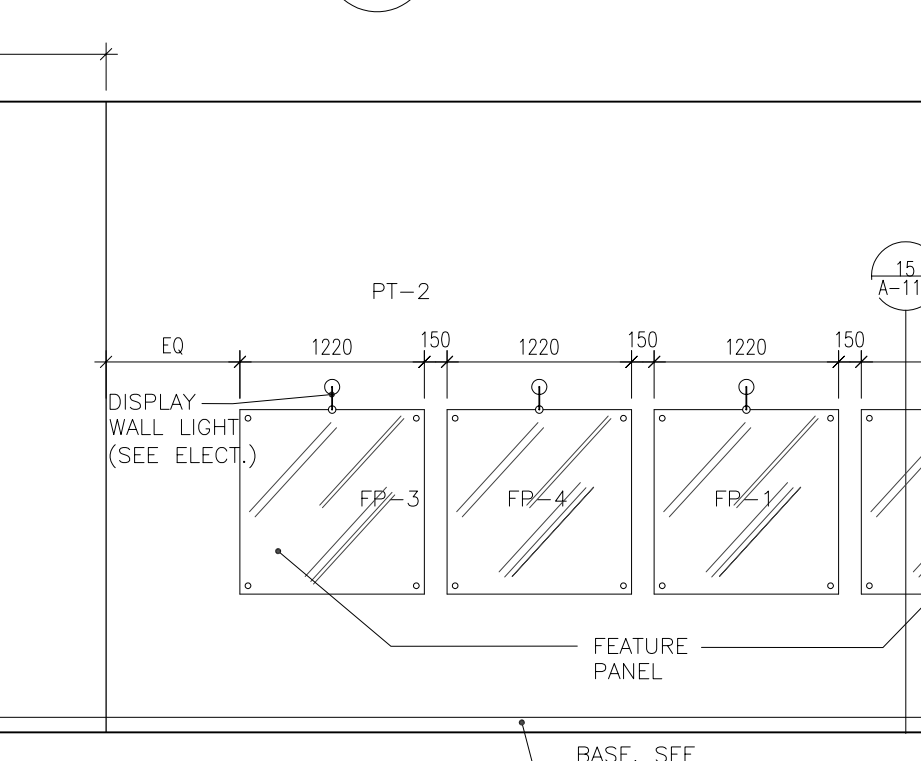
59 COFFEE STATION EN-PW-22
 A9.3 1:10



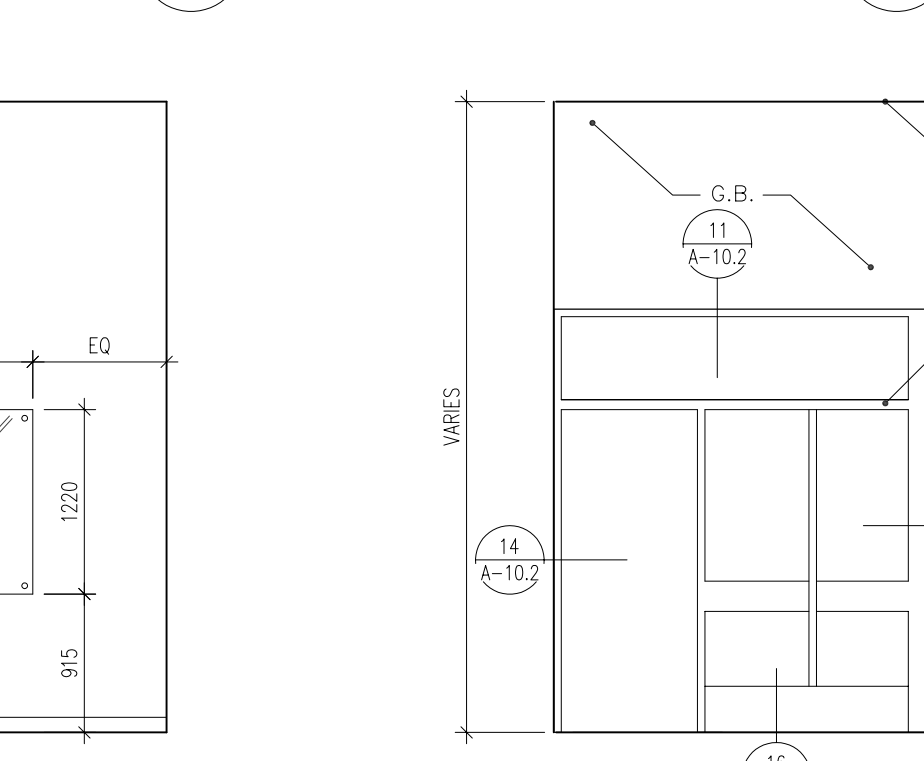
60 CORRIDOR GEN-WW-32
 A9.3 1:10



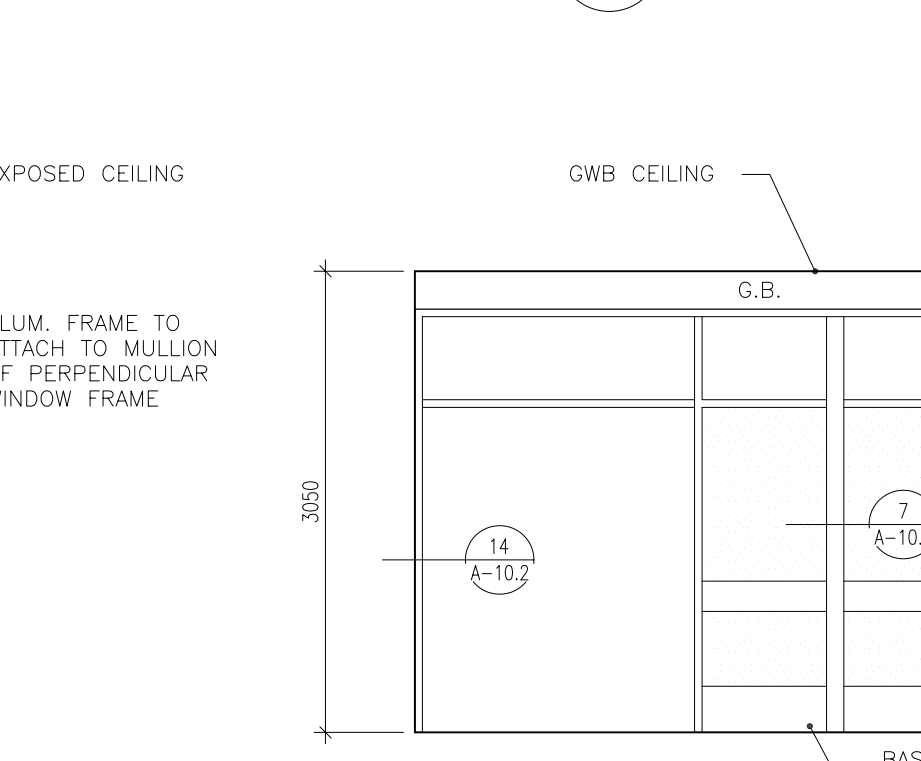
63 CORRIDOR GEN-WW-44
 A9.3 1:10



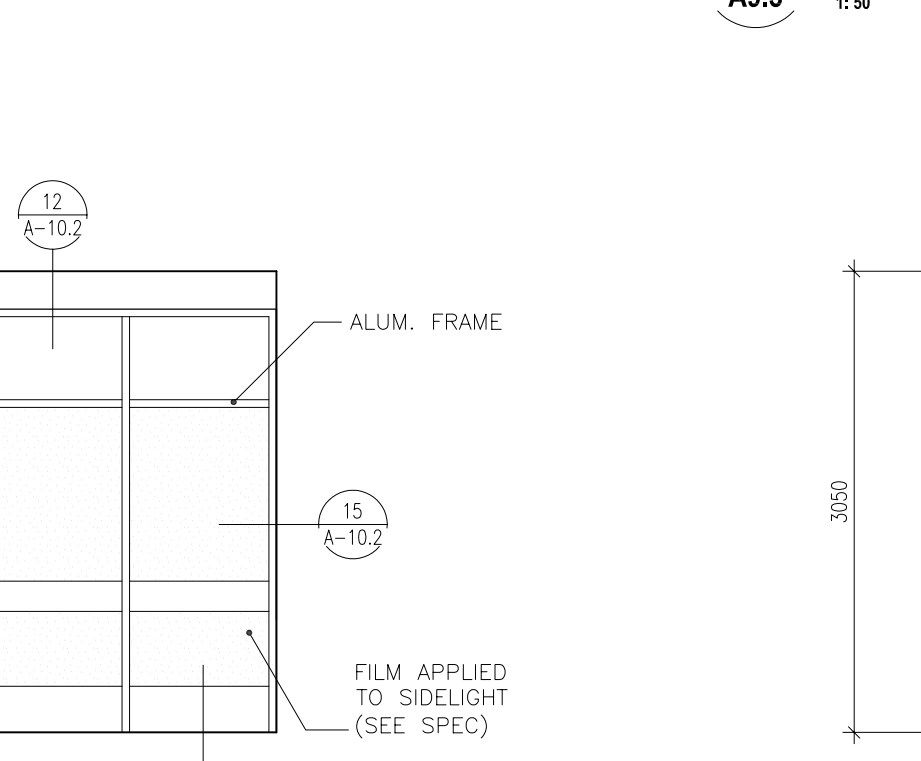
64 CORRIDOR GEN-WW-40
 A9.3 1:10



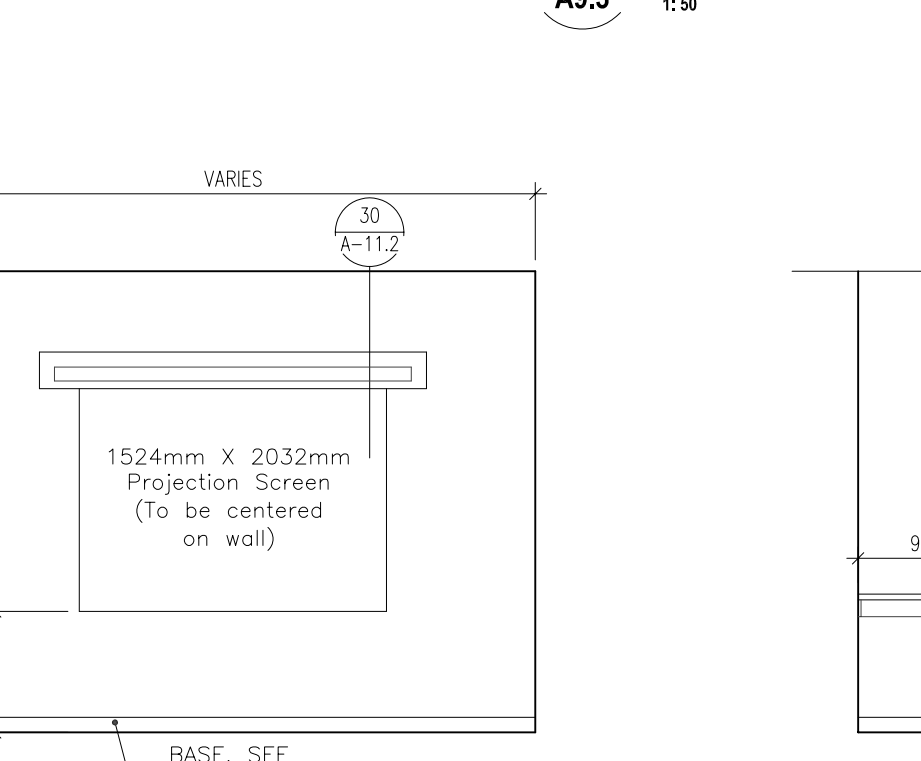
65 VESTIBULE GEN-WW-41
 A9.3 1:10



66 TYPICAL PROJECTION SCREEN MTG ROOM
 A9.3 1:10



67 SHIPPING AND RECEIVING GEN-WW-24
 A9.3 1:10



68 MEETING ROOM GEN-WW-21
 A9.3 1:10

Drawings and specifications, as instruments of service, are the property of the architect. The copyright in the same being reserved to him. No reproduction may be made without the permission of the architect and when made, must bear his name. Attention is directed to the contractor that any changes or modifications to the drawings and specifications must be made in accordance with the conditions on the bid and in full compliance with the contract documents. This drawing shall not be used for building purposes without the architect's consent.

THE CITY OF WINNIPEG
 1155 PACIFIC AVENUE
 PUBLIC WORKS DEPARTMENT RENOVATION
 PUBLIC WORKS AND WATER & WASTE
 DEPARTMENTS ADDITION