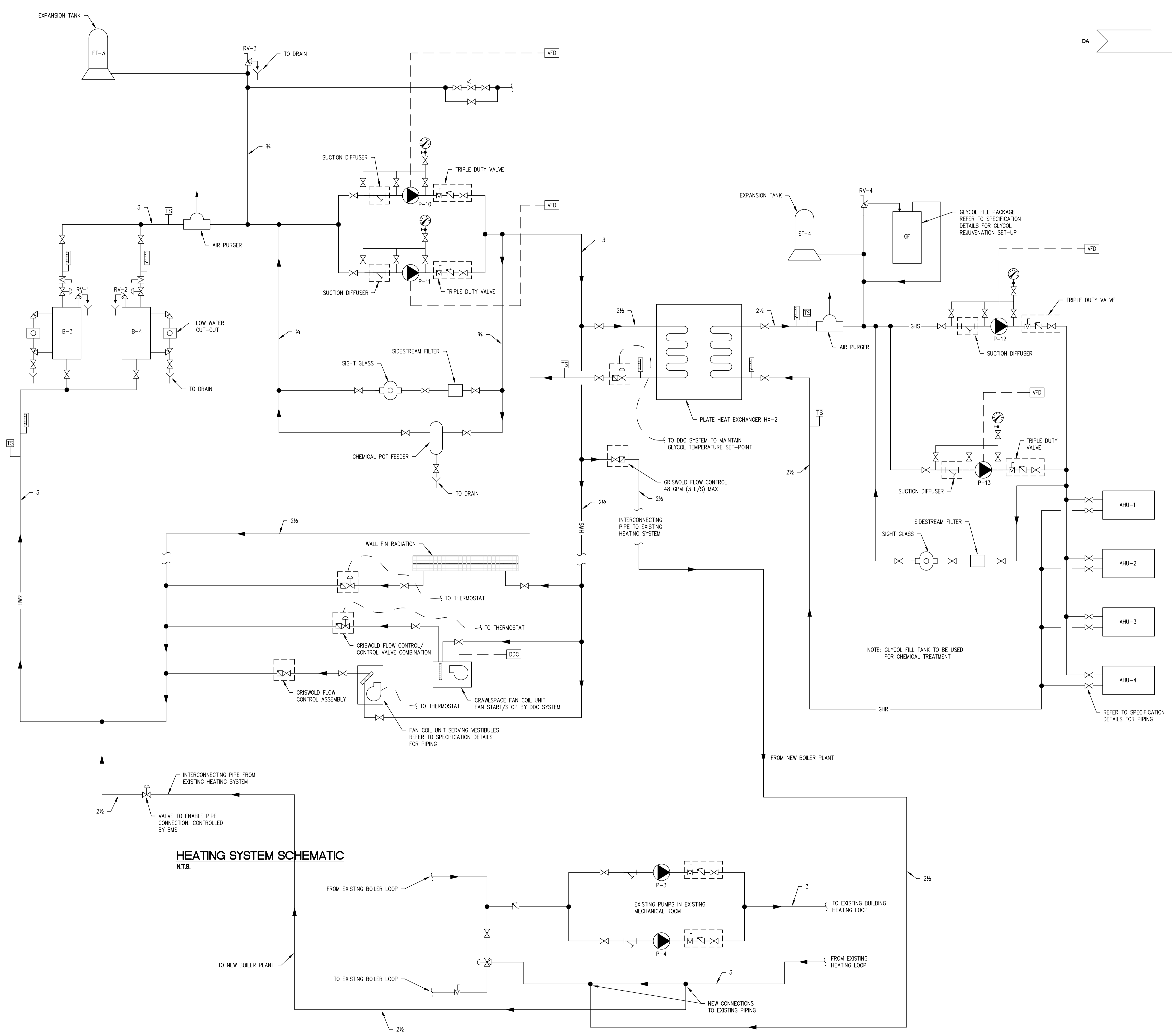
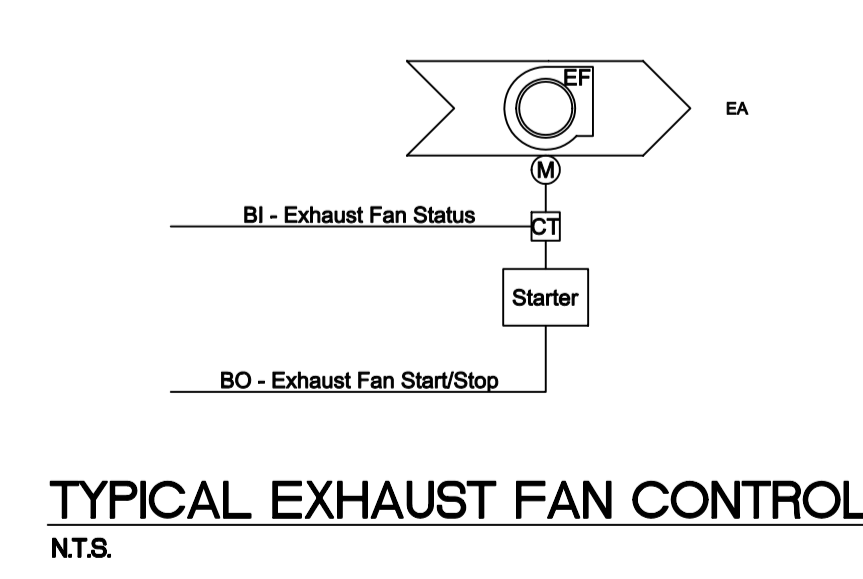
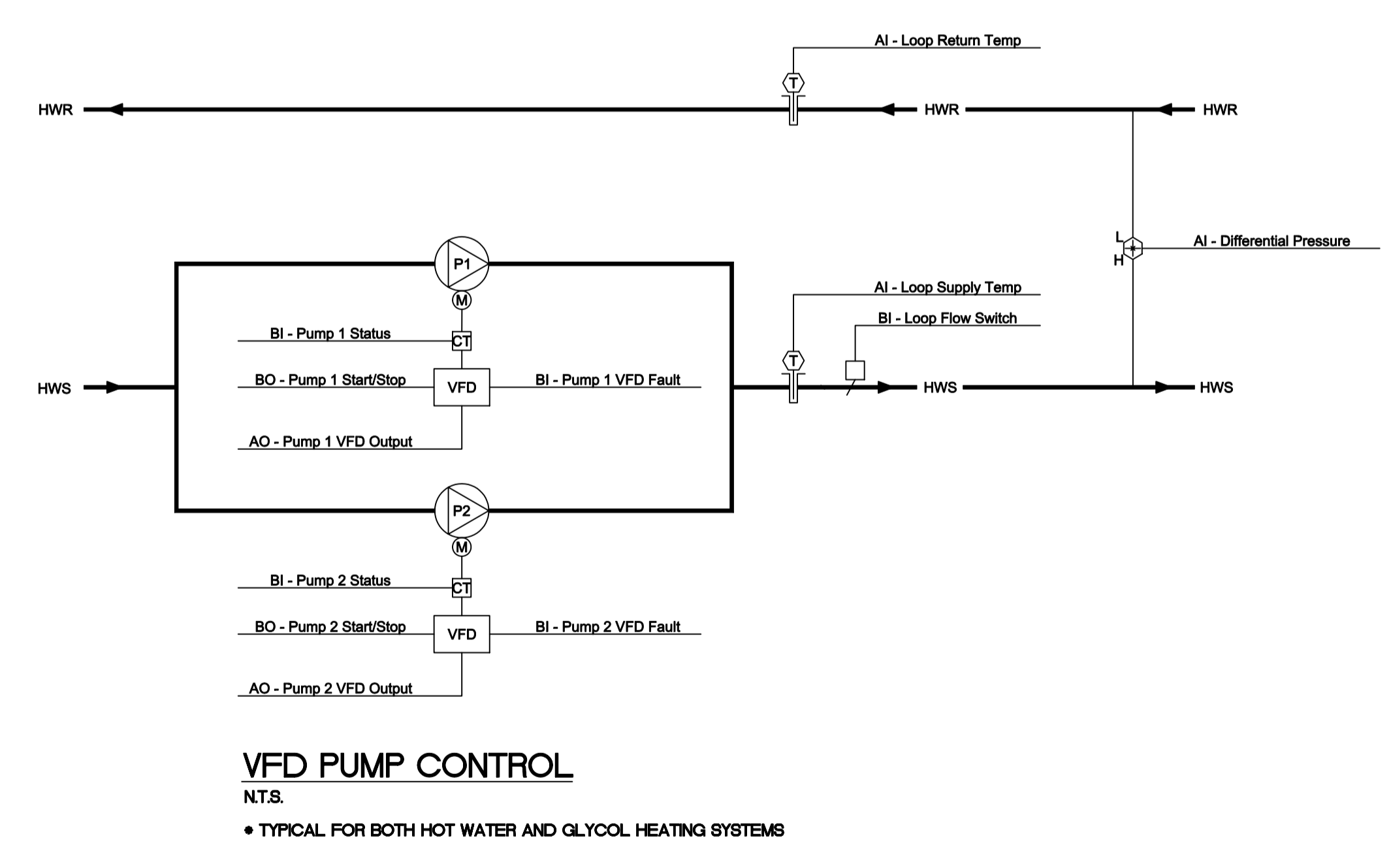
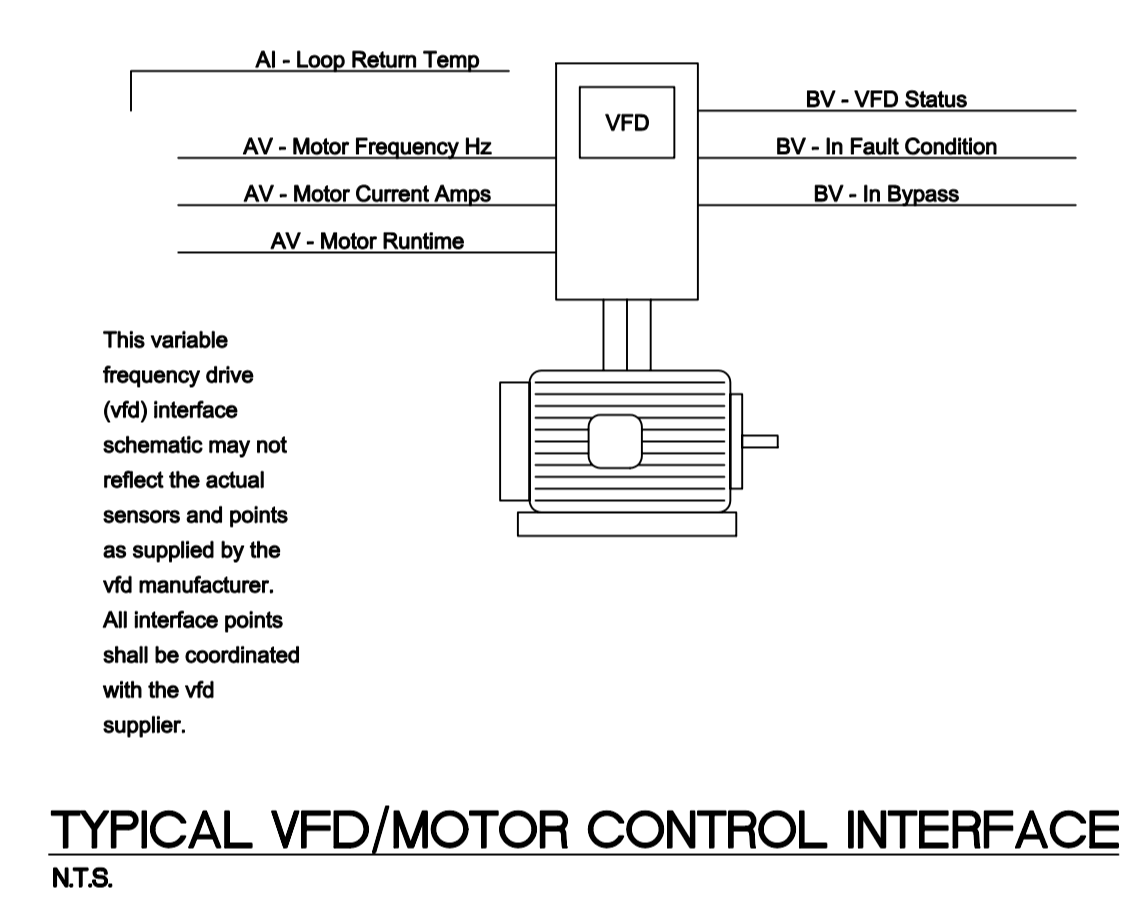
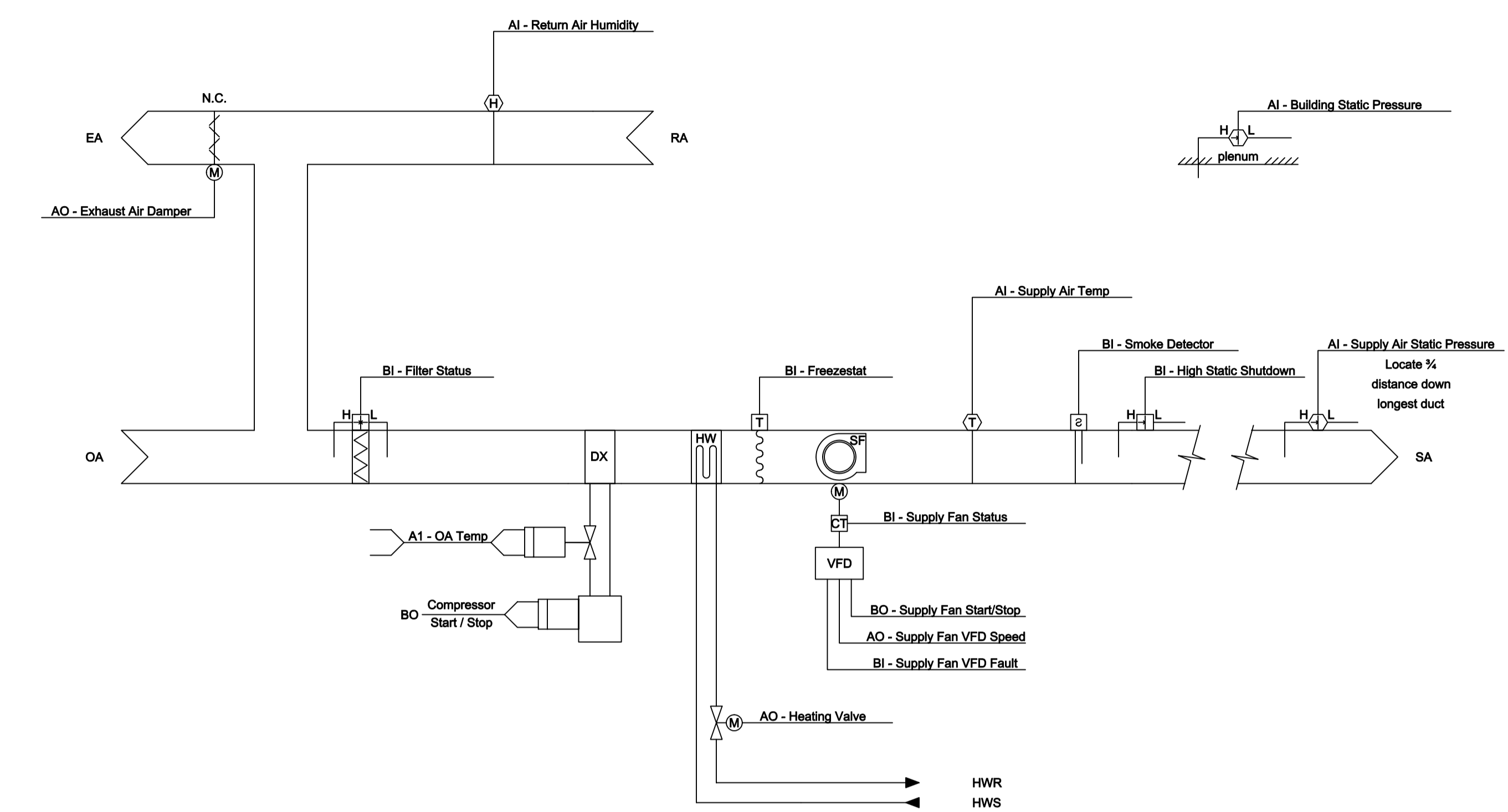


OWNER:	JC
DESIGNER:	HJW
DATE:	MAY 2004
PROJECT NO.:	01716
REVISIONS:	1. ISSUED FOR 50% REVIEW FEBRUARY 6, 2004 2. ISSUED FOR 75% REVIEW MARCH 5, 2004 3. ISSUED FOR PRETENDER REVIEW APRIL 2004 4. ISSUED FOR TENDER MAY 14, 2004



SMS ENGINEERING
 SMS Engineering Ltd. Consulting Engineers
 775 Sargent Street Winnipeg MB Canada R3H 0G3
 Telephone: 204.772.0201 Fax: 204.772.0100
 sms@smseng.com
 02-018-01

ORIGINAL CONTRACT DRAWING
 ISSUED AND RELEASED BY
 V.S. WALKER, P. ENG
 MAY 14, 2004

APCM
 Certificate of Authorization
 SMS Engineering Ltd.
 No. 1905 (Expiry: April 30, 2005)

Drawings and specifications, as
 instruments of service are the
 property of the architect, the
 copyright in the same being
 reserved to him. No reproduction
 may be made without the written
 permission of the architect and
 when made, must bear his name.
 All prints to be returned to the
 architect.
 The contractor shall verify
 dimensions and data related thereto
 with conditions on the site and is
 held responsible for reporting any
 discrepancy to the architect for
 adjustment.
 This drawing shall not be used for
 building purposes unless
 countersigned by:

THE
 CITY OF
 WINNIPEG

OFFICE ADDITION AND RENOVATION
 1155 PACIFIC AVENUE
 WINNIPEG, MANITOBA