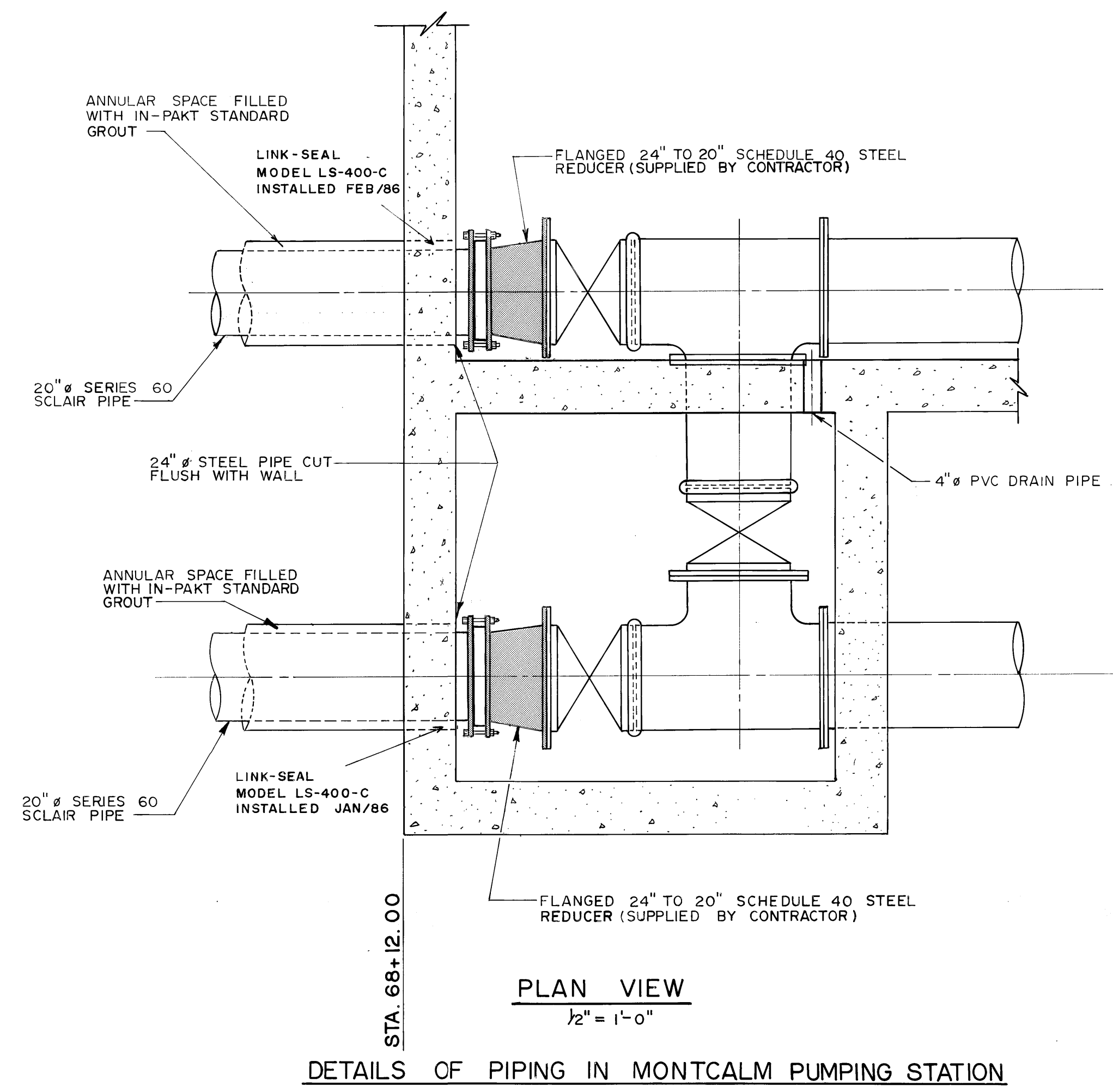
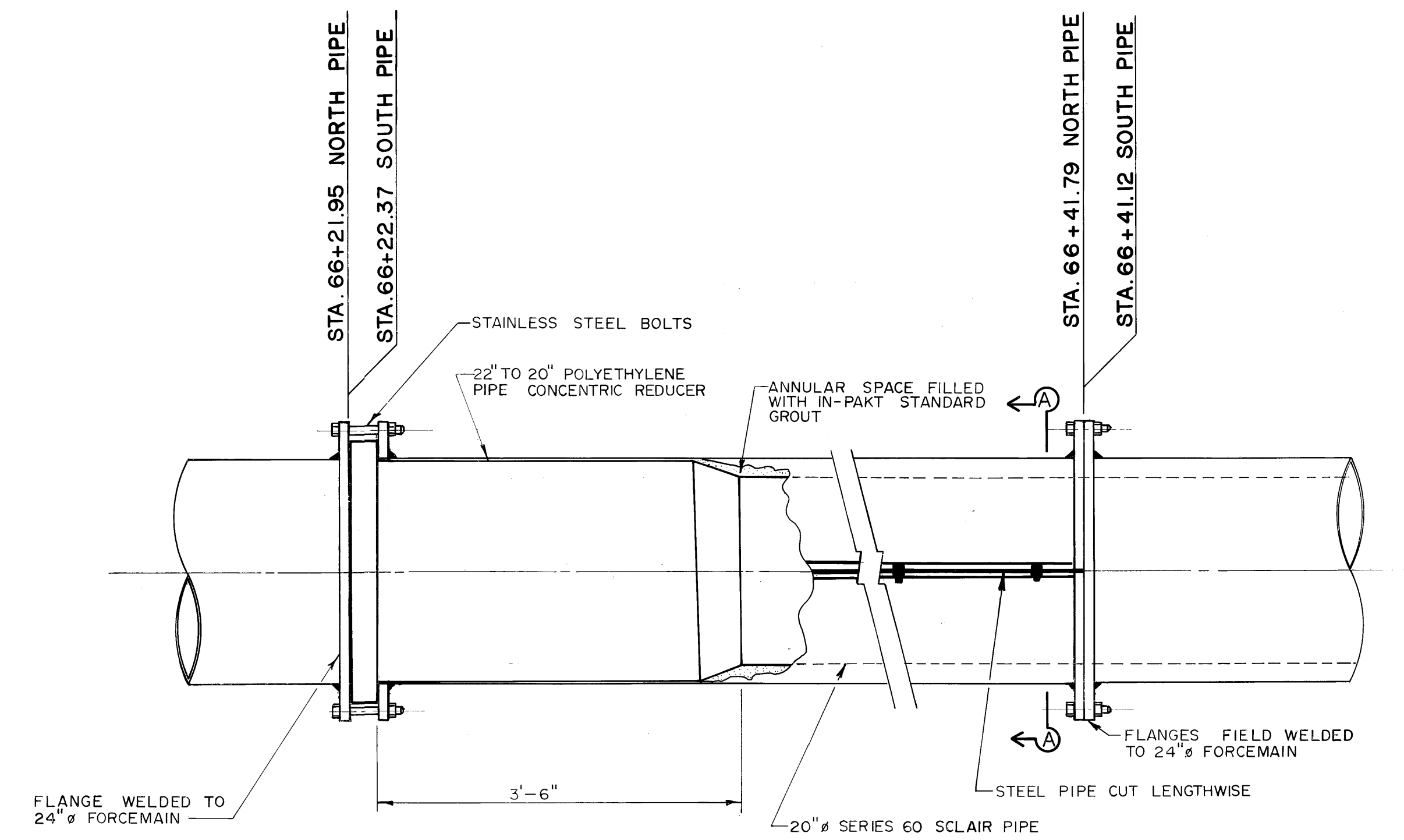
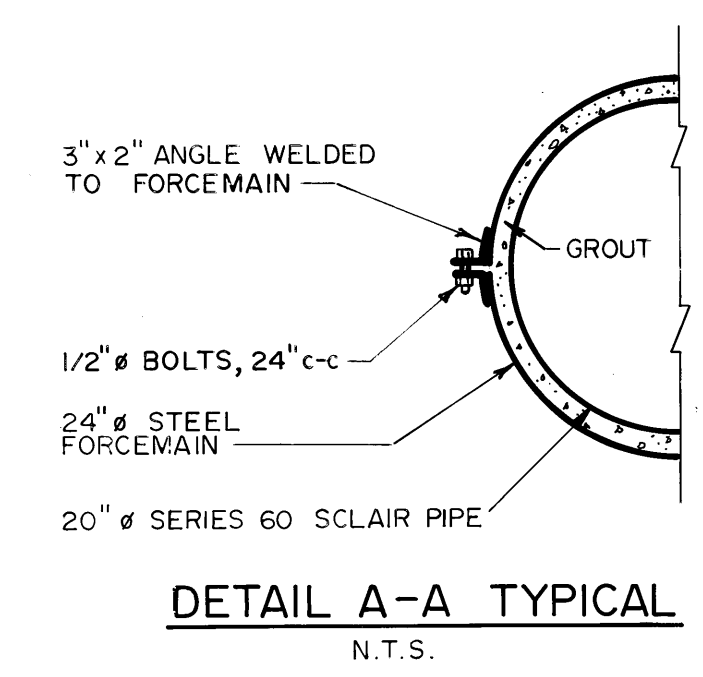
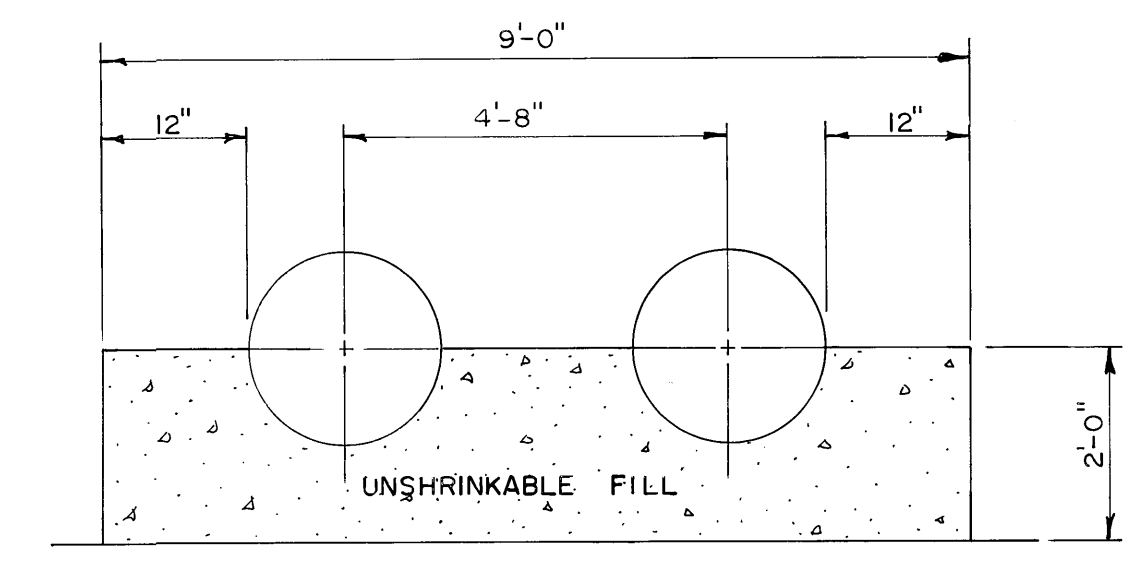


file # SP10275

REF. or Drawing No. **1091**
DETAILS



NOTE: NEW RUBBERIZED CLOTH GASKETS WERE INSTALLED BETWEEN ALL FLANGES.



NO.	REVISIONS	DATE	APP.
I	REVISED TO AS-BUILT	83/10/28	R.F.

R.A. Sordani
MAY 11/83

ENGINEER'S SEAL

DESIGNED BY: J. E.	DRAWN BY: R. F.
CHECKED BY: R. A. S.	DATE: MAY 3, 1983
APPROVED BY: <i>R.M. Gubing</i>	DATE: MAY 10/83

THE CITY OF WINNIPEG
WORKS & OPERATIONS DIVISION
WATERWORKS WASTE & DISPOSAL DEPARTMENT

REFER ALSO TO DRAWINGS 229a & 262a	
PIPING ALTERATIONS FOR THE MONTCALM PUMPING STATION AND FORCEMAINS	DATE: MAY 12/83
RELEASED FOR CONSTRUCTION: <i>R.M. Gubing</i>	DRAWING NO.: 1091
SCALE: AS SHOWN	

file # SP10275