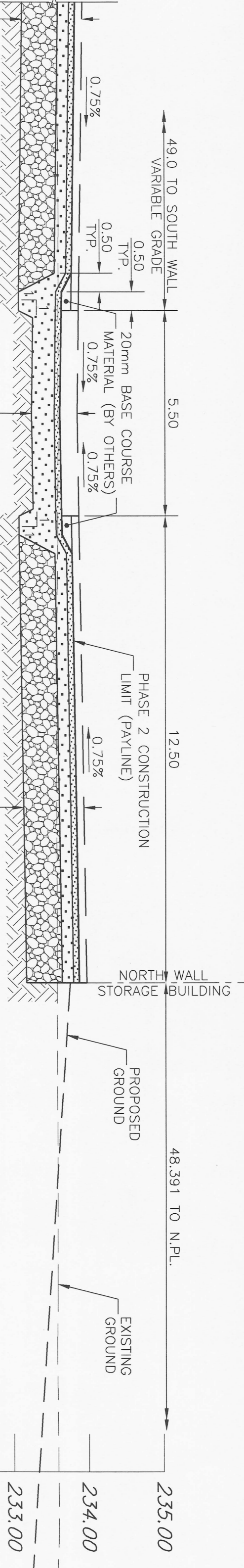
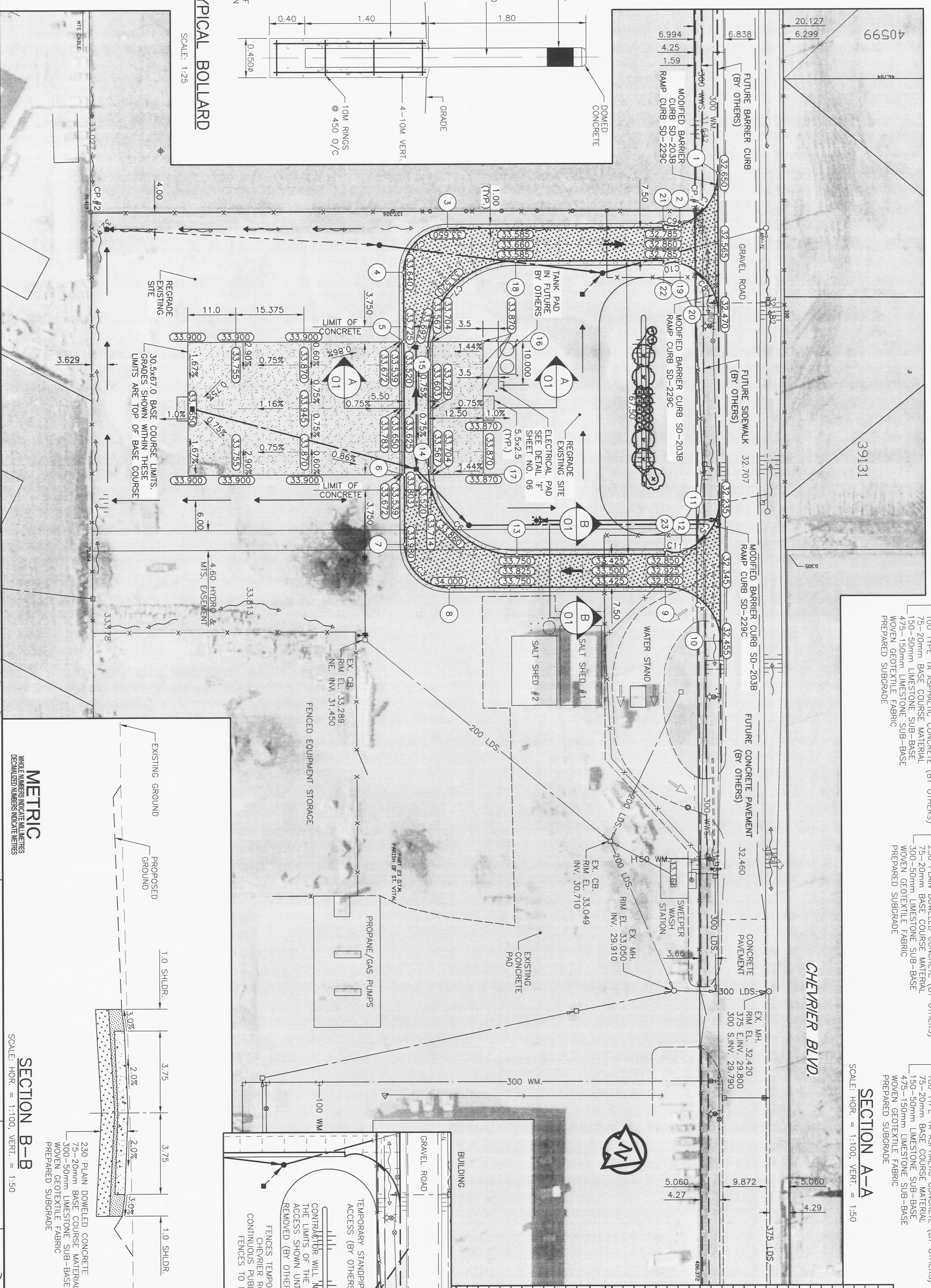
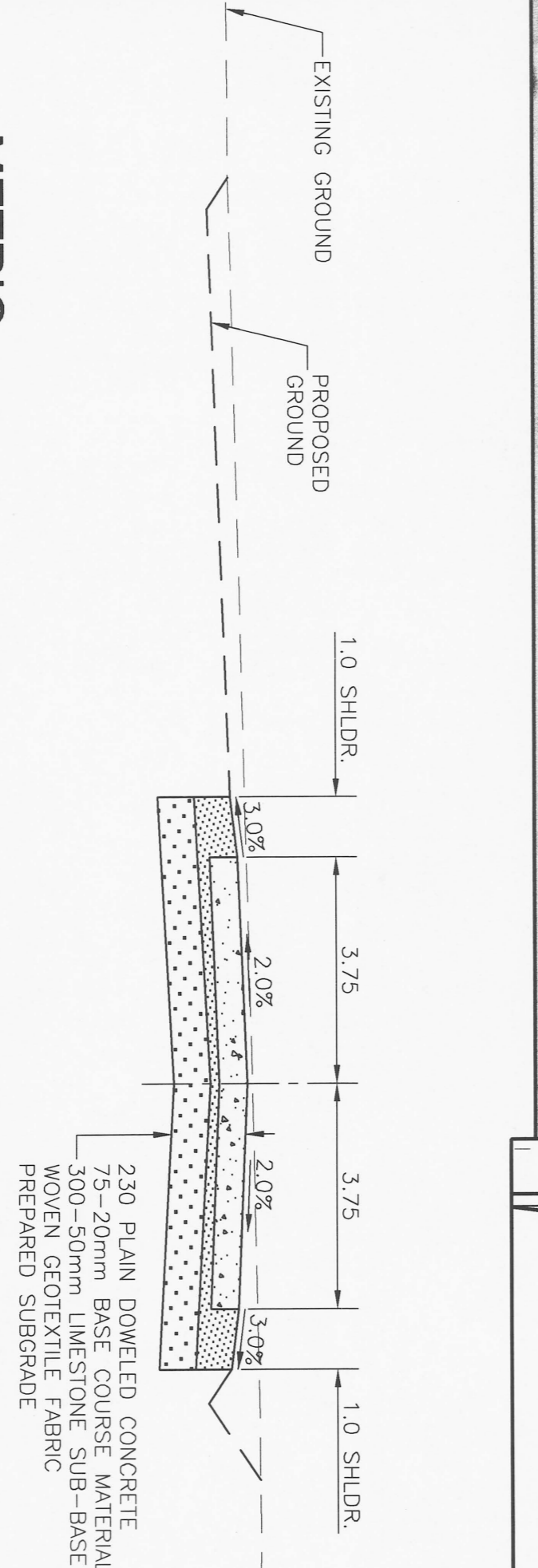


SURVEY BAR HORIZONTAL CONTROL POINTS—PROJECT COORDINATES			MAD83 DATUM				
CONTROL POINT	LOCATION	NORTHING	EASTING	ELEVATION	NORTHING	EASTING	ELEVATION
#1	P.I. OF N.P.L. & W.L.L. #1539 WAVERLEY ST	1137.551	1000.000	232.610	5520231.233	630514.249	-
#2	P.I. OF W.L.L. & S.L.L. #1539 WAVERLEY ST.	1000.000	1000.000	232.761	5520111.053	630580.695	-

NOTE: THE PROJECT DRAWINGS HAVE AN APPLIED SCALE FACTOR OF 1.0016 TO LIS INFORMATION TO MATCH LOCAL PROJECT COORDINATES

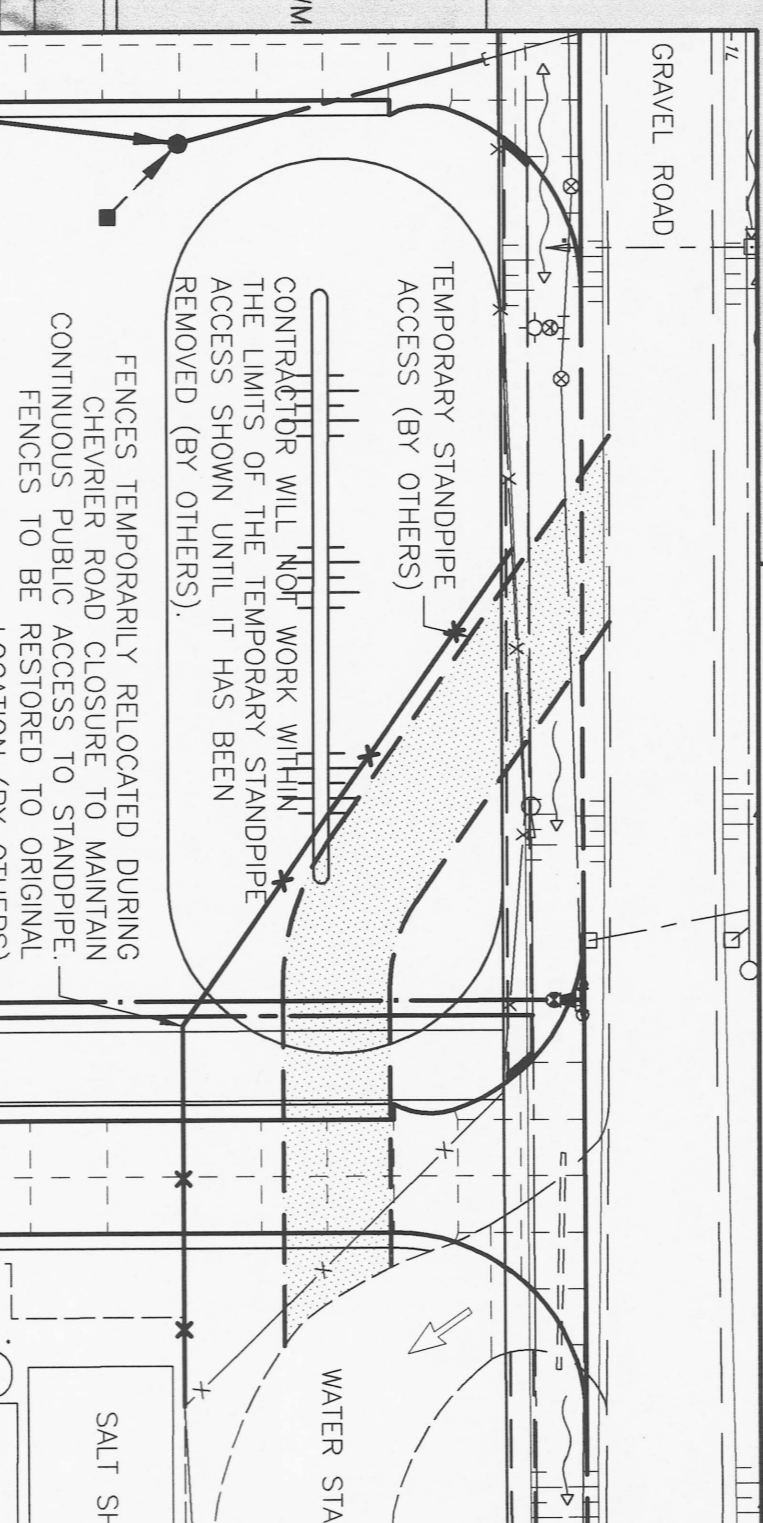


SECTION A-A  
 SCALE: HOR. = 1:100, VERT. = 1:50



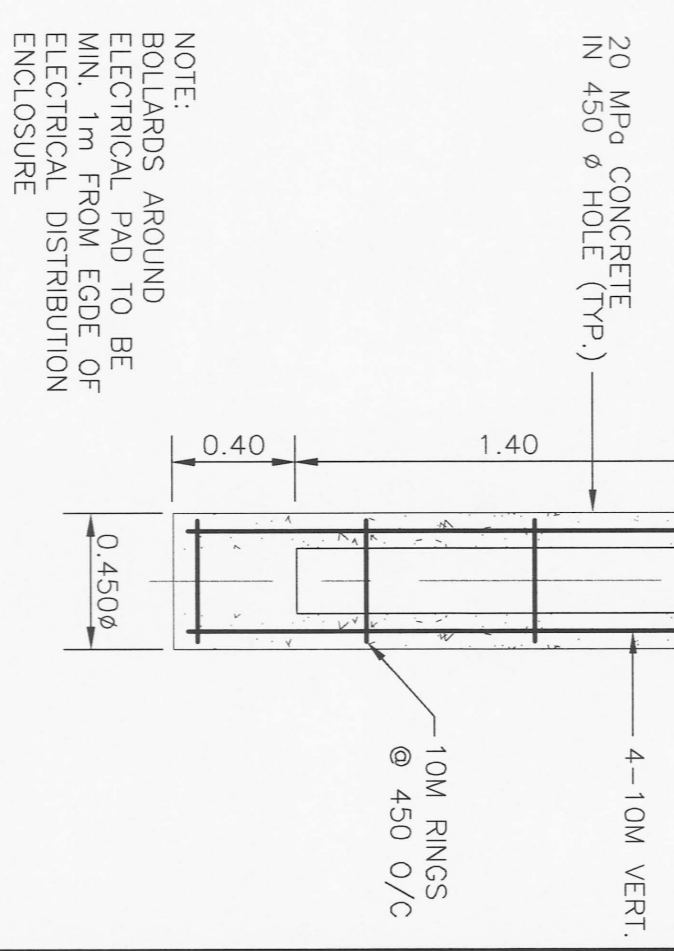
SECTION B-B  
 SCALE: HOR. = 1:100, VERT. = 1:50

COORDINATE LAYOUT				
POINT	DESCRIPTION	NORTHING	EASTING	TANGENT
1	P.C.	1142.805	991.471	9.151
2	P.C.C.	1134.095	1003.396	10.000
3	P.C.	1081.201	1003.985	10.000
4	P.O.T.	1071.201	1013.985	10.000
5	P.O.T.	1071.201	1029.985	10.000
6	P.O.T.	1071.201	1060.485	10.000
7	P.T.	1081.201	1078.485	10.000
8	P.C.	1130.421	1086.485	10.000
9	P.O.T.	1142.921	1088.971	10.000
10	P.C.	1134.176	1078.396	10.000
11	P.C.	1096.701	1078.396	10.000
12	P.C.	1076.701	1058.985	10.000
13	P.T.	1076.701	1031.485	10.000
14	P.C.	1089.201	1029.985	10.000
15	P.T.	1096.701	1011.485	10.000
16	P.C.	1134.131	1012.073	10.000
17	P.T.	1142.841	1023.985	10.000
18	P.C.	1130.305	1012.485	10.000
19	P.C.	1130.386	1077.985	10.000
20	P.C.	1130.386	1077.985	10.000
21	P.C.	1130.386	1077.985	10.000
22	P.C.	1130.386	1077.985	10.000
23	P.C.	1130.386	1077.985	10.000



STAGING DETAIL  
 SCALE: HOR. = 1:500

TYPICAL BOLLARD  
 SCALE: 1:25



EXISTING	PROPOSED	EXISTING	PROPOSED	EXISTING	PROPOSED	EXISTING	PROPOSED

NO.	REVISIONS	DATE	BY
1	ISSUED FOR CONSTRUCTION	04/23/04	DID
0	ISSUED FOR REVIEW	04/02/04	DID

**METRIC**  
 WING DIMENSIONS AND ELEVATIONS  
 DIMENSIONS IN METERS INDICATE METERS

**UMA Engineering Ltd.**  
 Consulting • Engineering • Construction • Management Services

**ENGINEER'S SEAL**  
 PROVINCE OF MANITOBA  
 REGISTERED PROFESSIONAL ENGINEER  
 A. NAGY  
 April 21, 2004

**THE CITY OF WINNIPEG**  
 PUBLIC WORKS DEPARTMENT  
 ENGINEERING DIVISION

**SAND and SALT STORAGE FACILITY**  
 at 1539 WAVERLEY STREET  
 YARD WORKS  
 PAVEMENT PLAN  
 HORIZONTAL LAYOUT, GRADES & SECTIONS

CITY DRAWING NUMBER: N/A  
 SHEET 1 OF 6  
 REV: 01

BID OPPORTUNITY No. 187-2004  
 Certificate of Authorization  
 UMA Engineering Ltd.  
 No. 286 Expiry: April 30, 2004