

**Field Notes for Installation:**

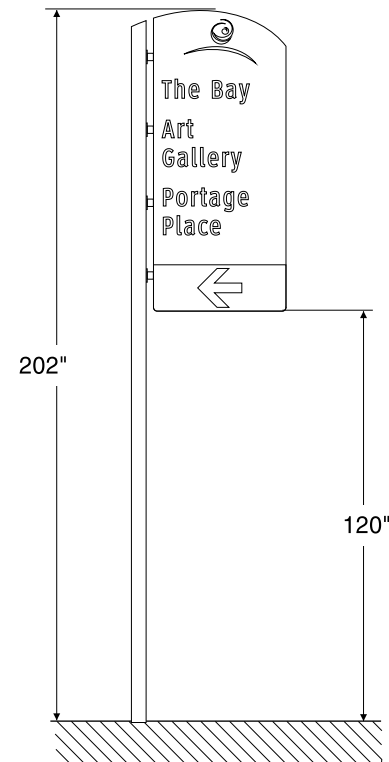
50' in front of existing star sign pole.

Pole Site Location S/S Broadway east of Osborne St.

(before Star sign pole)

Sign Panel	Panel Type
<b>BE2</b>	<b>B logo</b>

Pole Type **B**





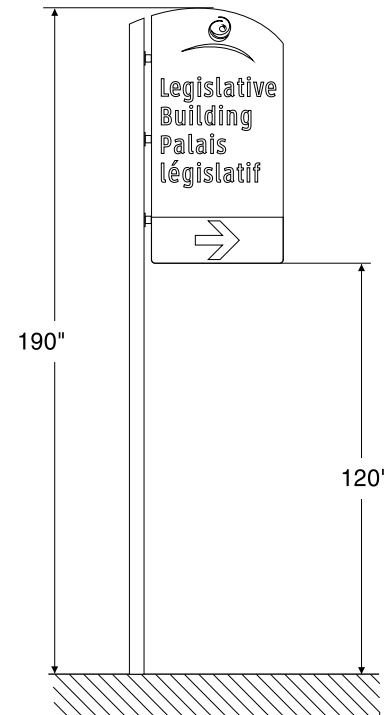
**Field Notes for Installation:**

25' west of pole holding last star sign (remove). Before Legislative Bldg. driveway.

Pole Site Location S/S Broadway east of Osborne St.  
(before Leg. Bldg. Driveway)

Sign Panel	Panel Type
<b>BE3</b>	<b>C logo</b>

Pole Type **C**





**Field Notes for Installation:**

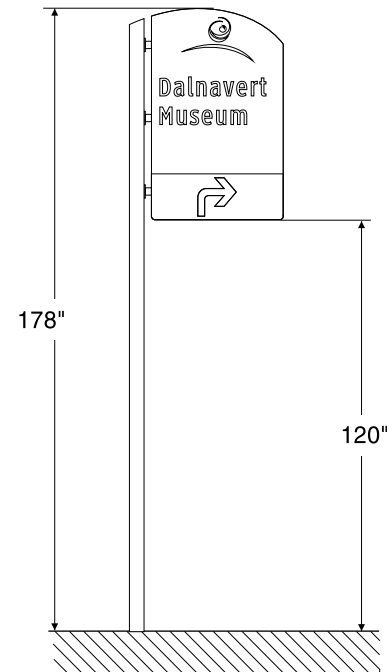
Just beyond driveway next to subway, @ 360 Broadway.

Pole Site Location S/S Broadway east of Edmonton St.

Sign Panel Panel Type

**BE4** **D logo**

Pole Type **D**



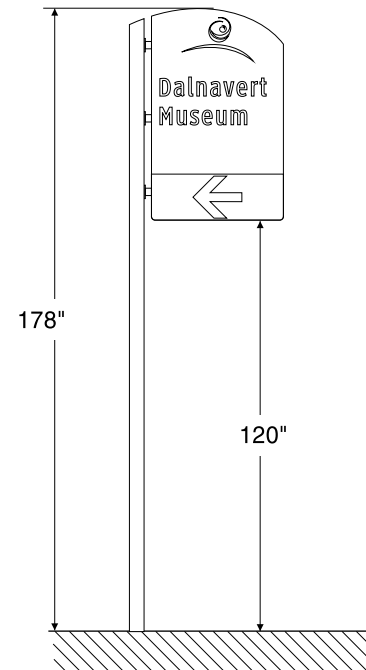


**Field Notes for Installation:**  
 Before entrance to alley, on left side of street.

Pole Site Location E/S Carlton south of Broadway

Sign Panel	Panel Type
<b>BE4-F</b>	<b>D logo</b>

Pole Type **D**





**Field Notes for Installation:**

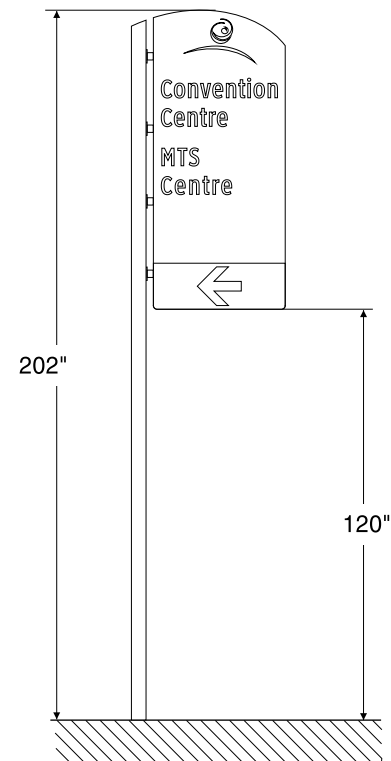
Just after Carlton at “No Parking/Stopping” sign pole at 354 Broadway.

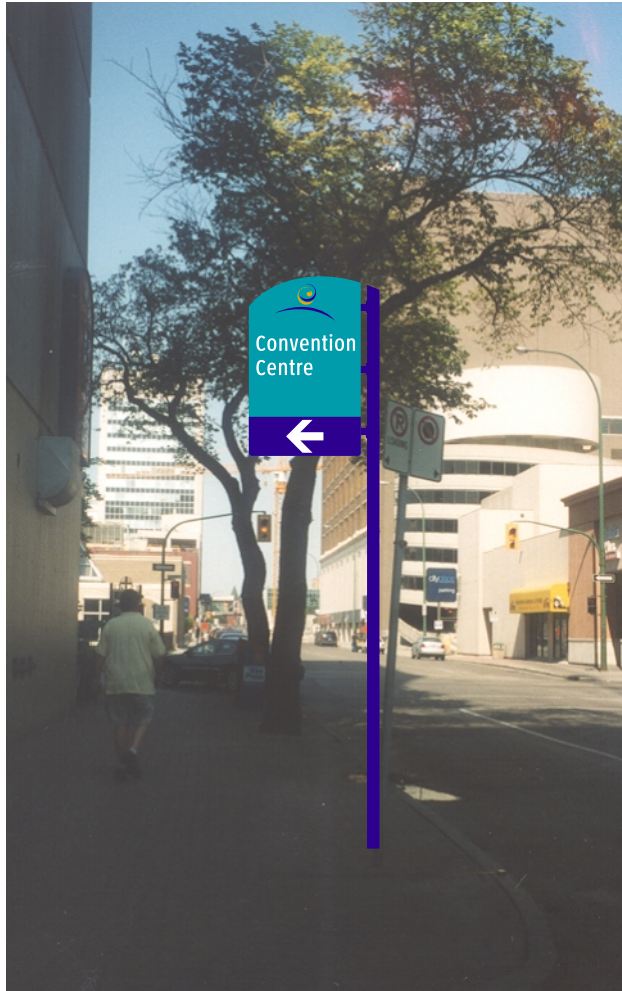
Pole Site Location S/S Broadway west of Hargrave St

Sign Panel Panel Type

**BE5** **B logo**

Pole Type **B**





**Field Notes for Installation:**

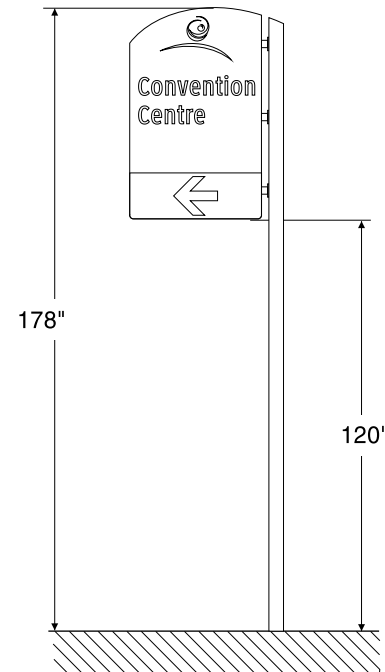
At "No Parking" sign pole before St. Mary, left side of street.

Pole Site Location W/S Hargrave St north of York Av

Sign Panel Panel Type

**BE5-F** **D logo R**

Pole Type **D**





**Field Notes for Installation:**

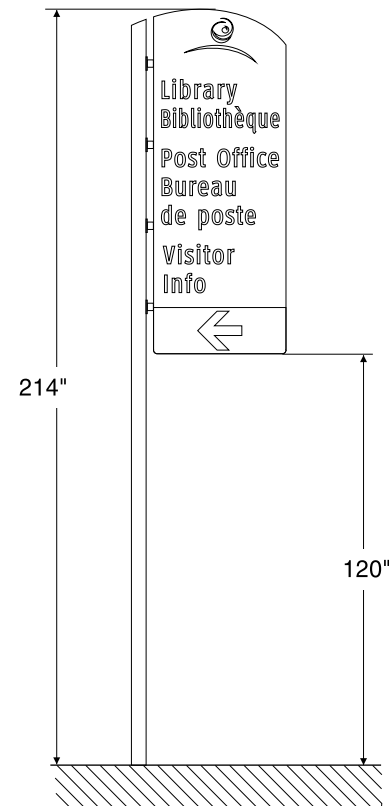
Just in front of 5th tree beyond Donald (at 280 Broadway).

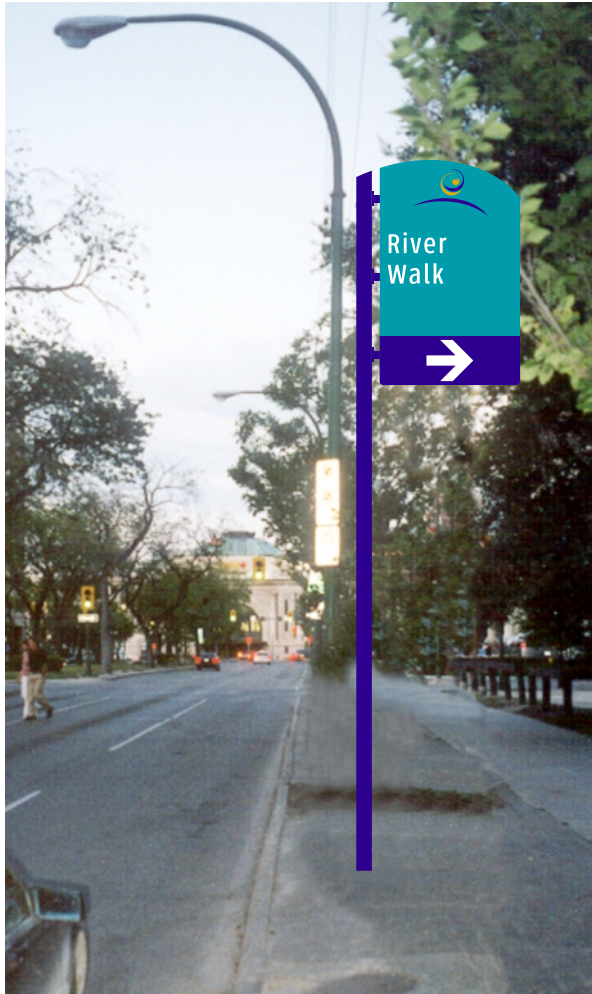
Pole Site Location S/S Boardway west of Smith St

Sign Panel Panel Type

**BE7** **A logo**

Pole Type **A**





**Field Notes for Installation:**

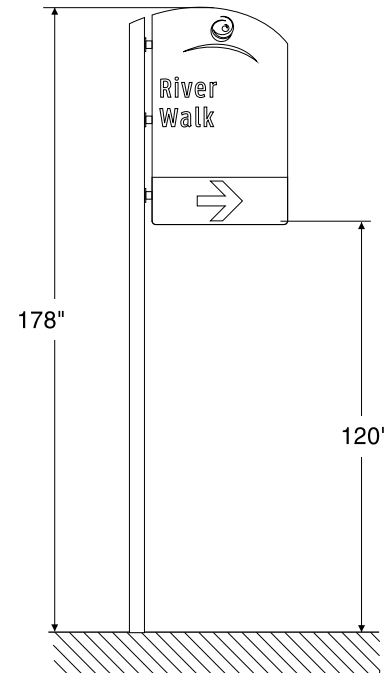
22' west of 2nd pole from Garry (at 250 Broadway).

Pole Site Location S/S Broadway west of Garry St

Sign Panel Panel Type

**BE8** **D logo**

Pole Type **D**



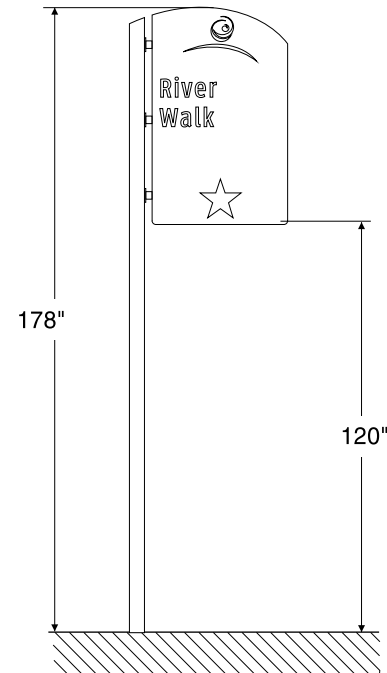


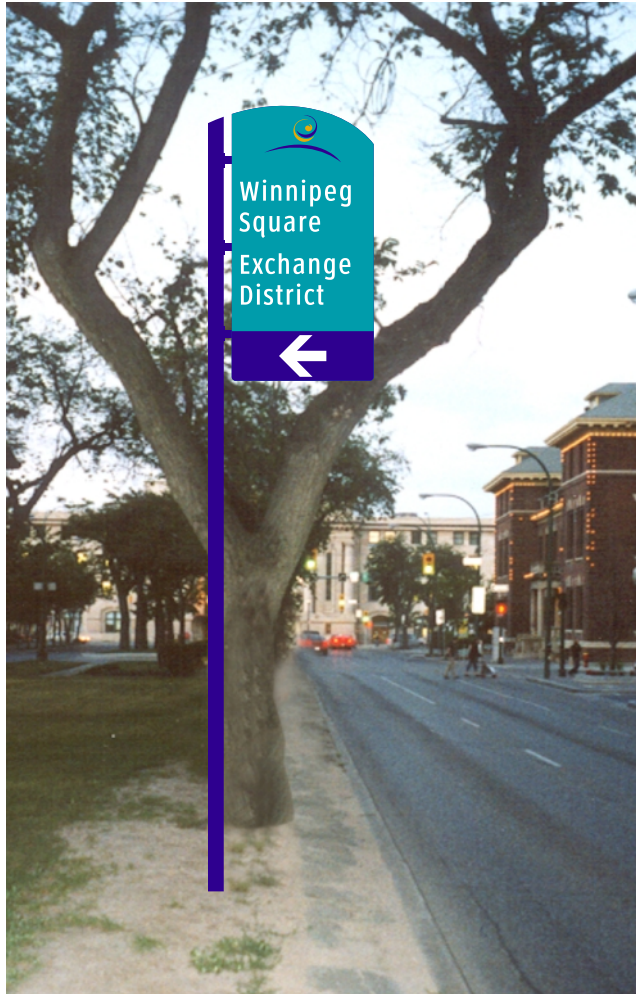


Pole Site Location	S/S Assiniboine facing traffic on	
	Garry St	
	Sign Panel	Panel Type
	<b>BE8-F</b>	<b>D logo</b>
	Pole Type	<b>D</b>

**Field Notes for Installation:**

New pole as indicated, sign facing oncoming traffic from Garry St.





**Field Notes for Installation:**

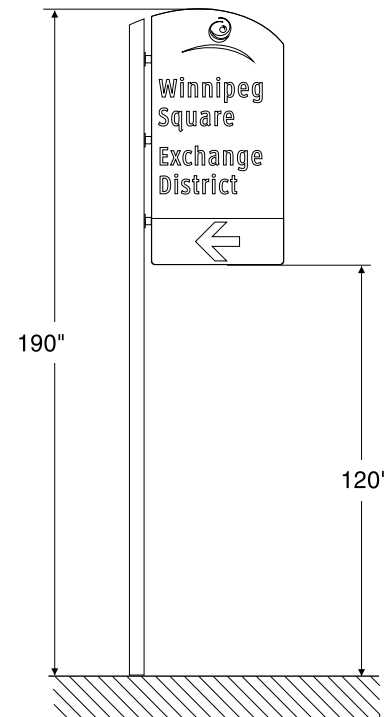
4' east of 2nd tree from Garry in median.

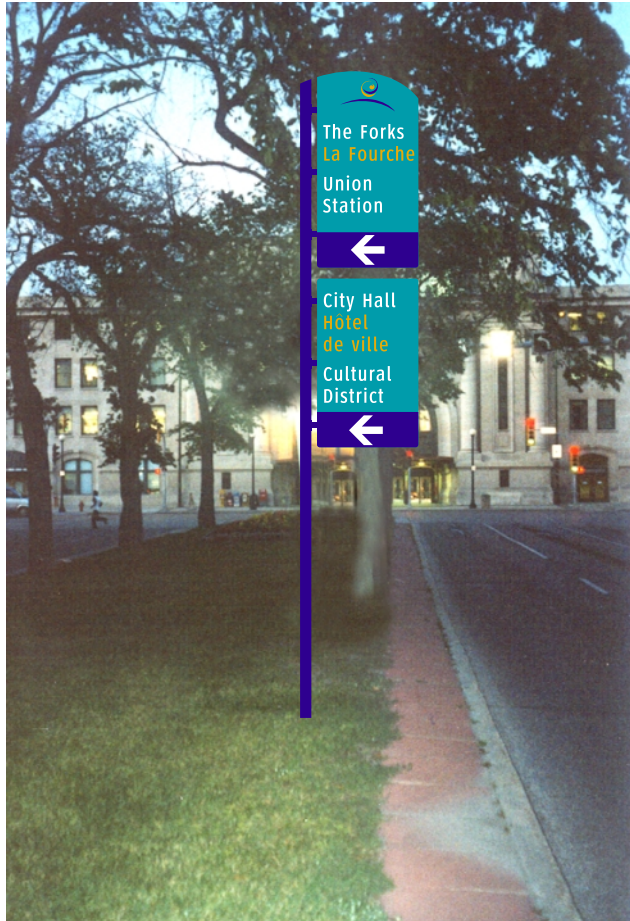
Pile Site Location Median on Broadway west of Fort St

Sign Panel Panel Type

**BE9** **C logo**

Pole Type **C**

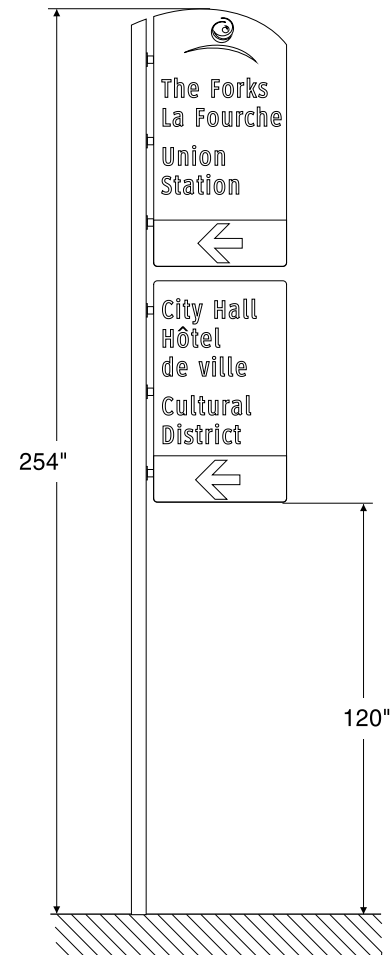




**Field Notes for Installation:**  
At Forks sign pole in median.

Pole Site Location Median on Broadway west of Main St

Sign Panel	Panel Type
<b>BE11-U</b>	<b>C logo</b>
<b>BE11-L</b>	<b>C lower</b>
Pole Type	<b>C+C</b>



Pole Site Location N/S Broadway west of Fort St

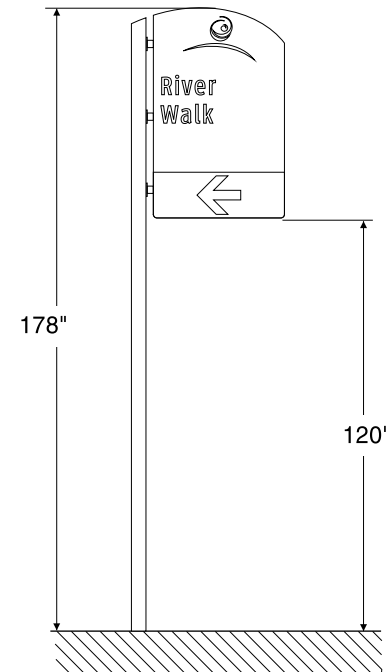
Sign Panel	Panel Type
<b>BW1</b>	<b>D logo</b>

Pole Type	<b>D</b>
-----------	----------



**Field Notes for Installation:**

120' back from Garry, in front of 4th tree back.





**Field Notes for Installation:**

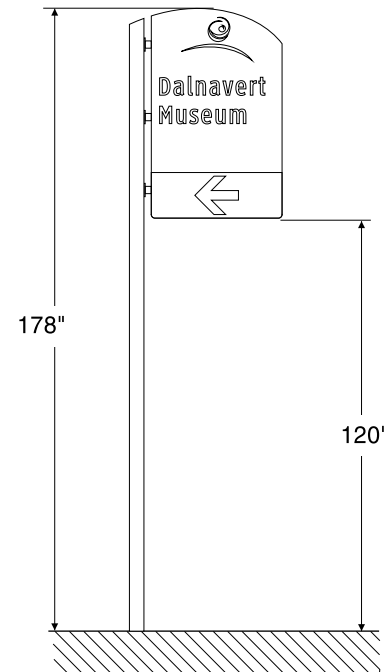
In front of 2nd light pole back from Carlton.

Pole Site Location N/S Broadway west of Hargrave St

Sign Panel Panel Type

**BW3** **D logo**

Pole Type **D**





**Field Notes for Installation:**

In front of 2nd tree west of Kennedy.

Pole Site Location N/S Broadway west of Kennedy St

Sign Panel	Panel Type
<b>BW4</b>	<b>C logo</b>

Pole Type	<b>C</b>
-----------	----------

