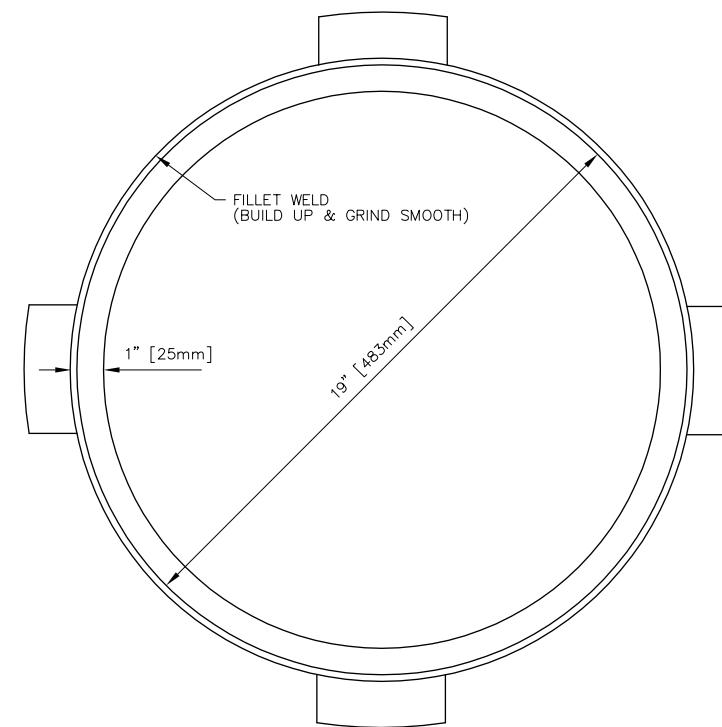
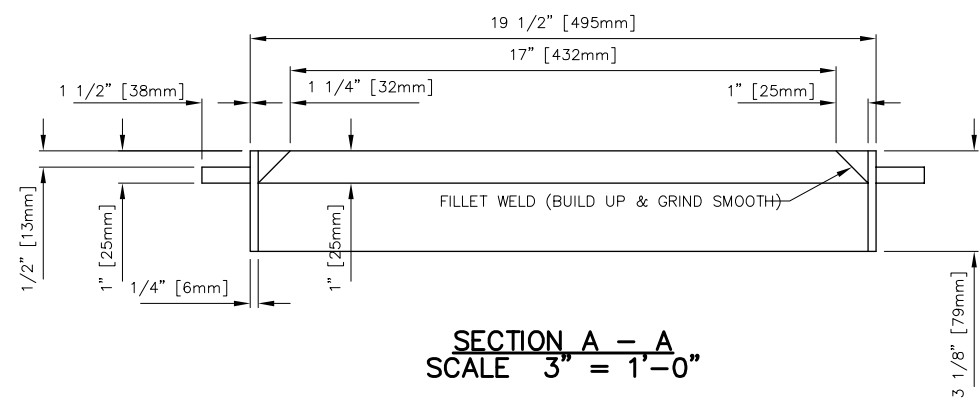


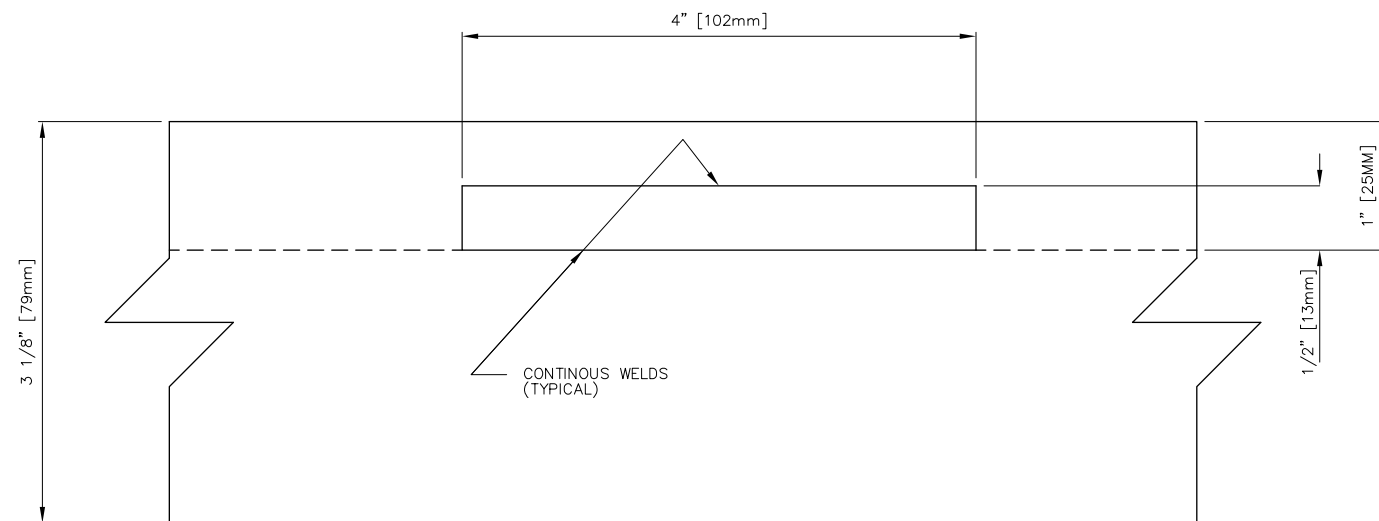
**PLAN VIEW**  
SCALE 3" = 1'-0"



**BOTTOM VIEW**  
SCALE 3" = 1'-0"



**SECTION A - A**  
SCALE 3" = 1'-0"



**SECTION B - B**  
SCALE 1" = 1"

**NOTES:**

1. TOP RING FORM REQUIRED FOR ST-60 BASE INSTALLATIONS.
2. RING = 1/4" THICK STEEL, HANDLES = 1/2" STEEL.
3. ALL WELDS ON TOP & BOTTOM SURFACES SHALL BE CONTINUOUS AND GROUND SMOOTH.
4. IMPERIAL ARE IN WHOLE NUMBERS AND METRIC NUMBERS ARE IN BRACKETS.
5. TOP RING FORM TO BE SUPPLIED BY CONTRACTOR.
6. COPIES OF ORIGINAL DRAWINGS AVAILABLE FROM TRAFFIC SIGNALS.

**MODIFICATION TO STANDARD DETAIL**


-DETAILS SHOWN FOR 508 (20") DIA PILE.  
-CONTRACTOR SHALL USE SIMILAR DETAILS FOR SUPPLYING A RING FORM FOR 450 (18") DIA PILES.

DRAWING REDUCED  
NOT TO SCALE

NO.	REVISIONS	DATE	BY

REFERENCE SPEC. NO.	
<b>CW 3620</b>	
DESIGNED BY	CHECKED BY
DRAWN BY <b>lwb</b>	SCALE <b>AS NOTED</b>
APPROVED BY	
----- DATE	

ENGINEER'S SEAL


**THE CITY OF WINNIPEG**  
 WORKS AND OPERATIONS DIVISION  
 STREETS AND TRANSPORTATION DEPARTMENT

**TOP RING FORM FOR STANDARD DUTY TRAFFIC SIGNAL POLE BASE**

SHEET	OF
CAD FILE DRAWING NUMBER	
CITY DRAWING NUMBER	
<b>ST - 116</b>	