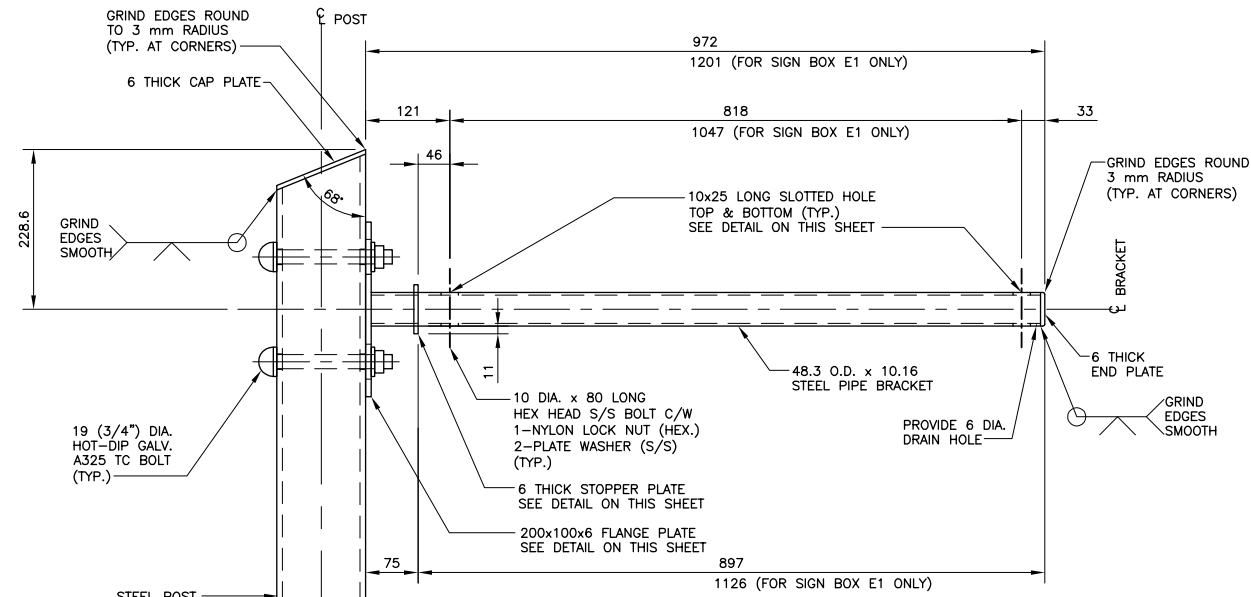
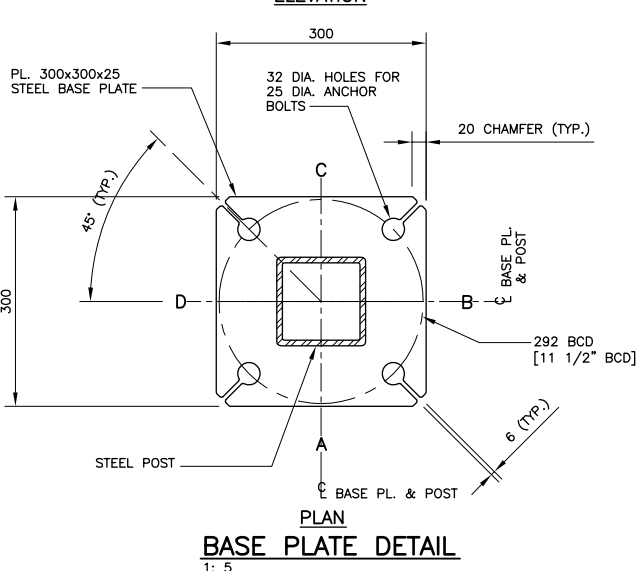
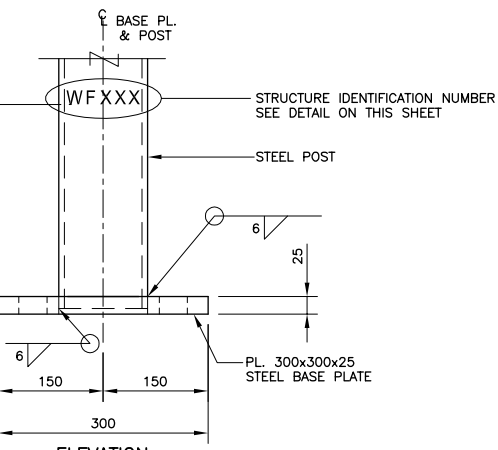
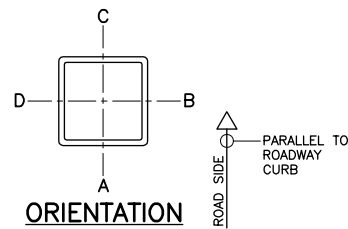


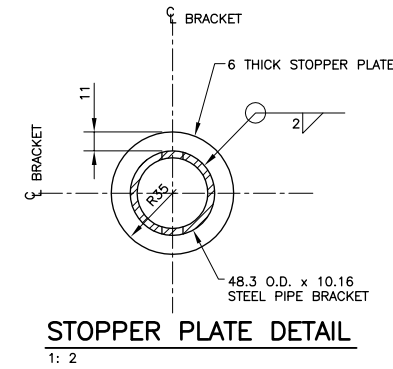
RHS POST ELEVATION
1: 15 (LHS ELEVATION IS OPPOSITE HAND)



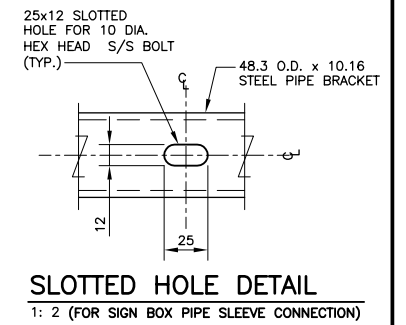
STEEL PIPE BRACKET DETAIL
1: 5



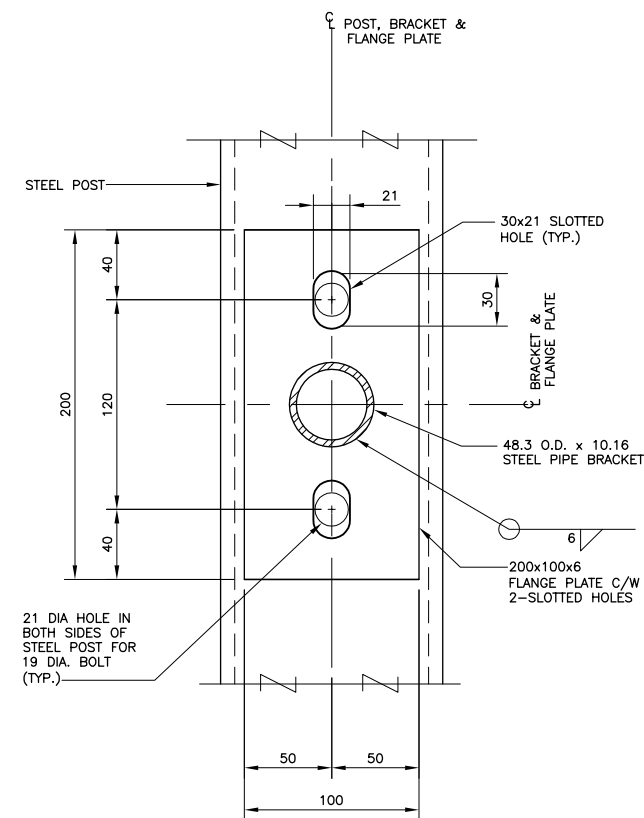
BASE PLATE DETAIL
1: 5



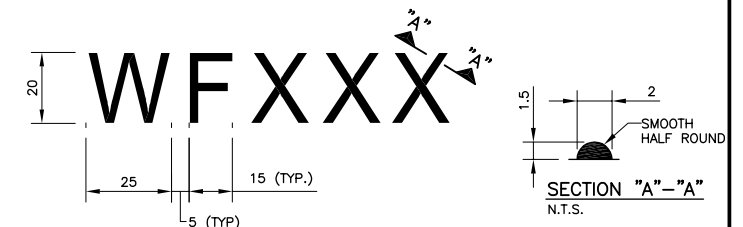
STOPPER PLATE DETAIL
1: 2



SLOTTED HOLE DETAIL
1: 2 (FOR SIGN BOX PIPE SLEEVE CONNECTION)



FLANGE PLATE DETAIL
1: 2



STRUCTURE IDENTIFICATION NUMBER SIZE
1: 1

DRAWING REDUCED
NOT TO SCALE

B.M. ELEV.	DESIGNED BY	S.S.R./A.S.D.				CITY DRAWING NUMBER WF-04-04			
	DRAWN BY	N.B.G.					WAYFINDER SIGNS		
	CHECKED BY	S.S.R.						SHEET 4 OF 11	
	APPROVED BY								SIGN BOX OPTION POST DETAILS
	HOR. SCALE	AS SHOWN							
VERTICAL									
NO. REVISIONS	DATE	DATE	DATE						
		SEPT. 2004							