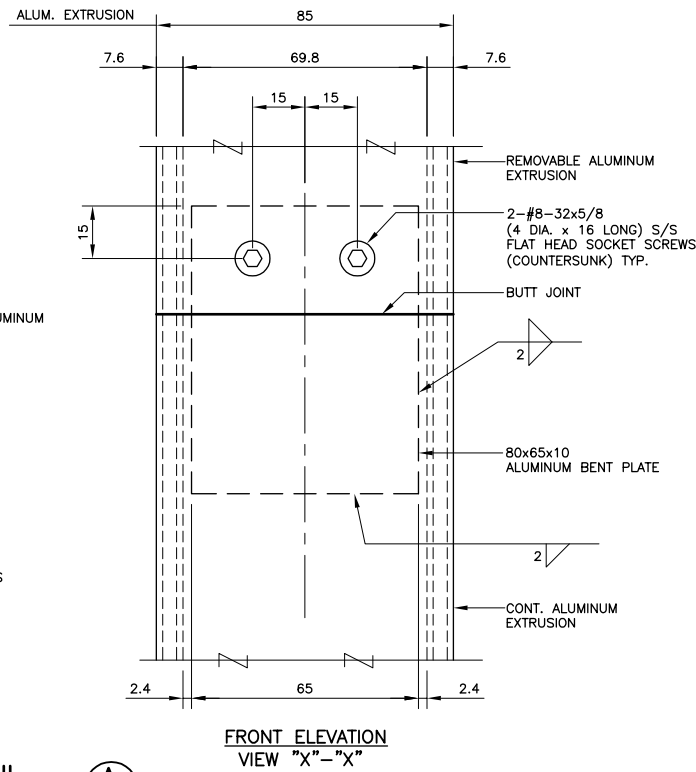
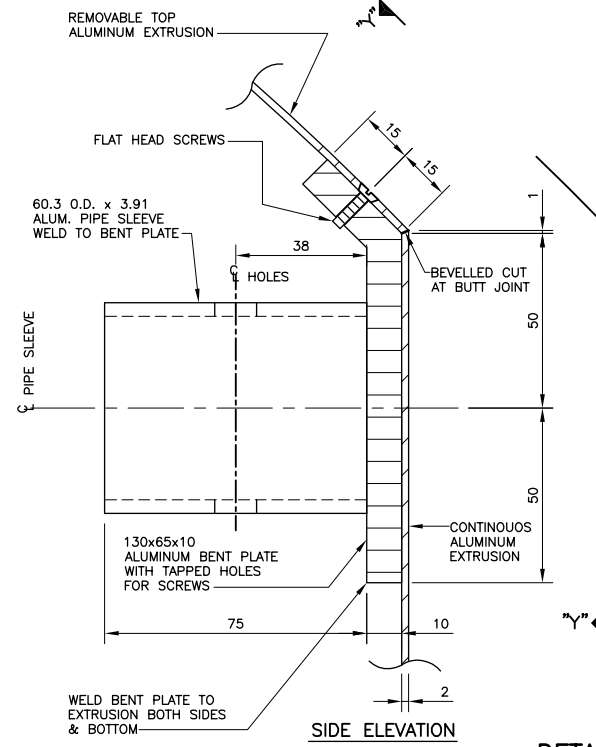


DETAIL A
1: 1

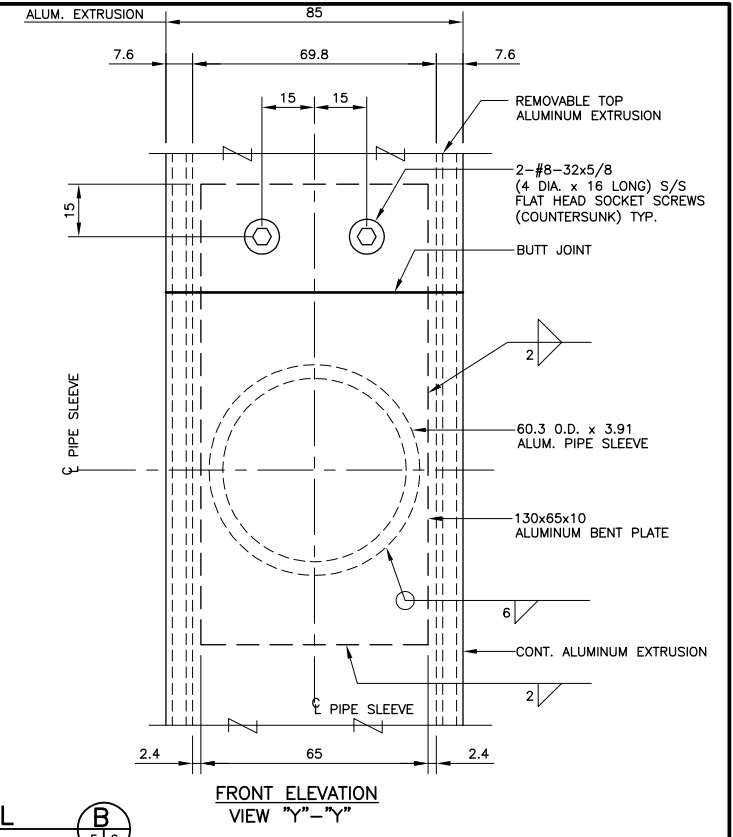


FRONT ELEVATION VIEW "X"-"X"

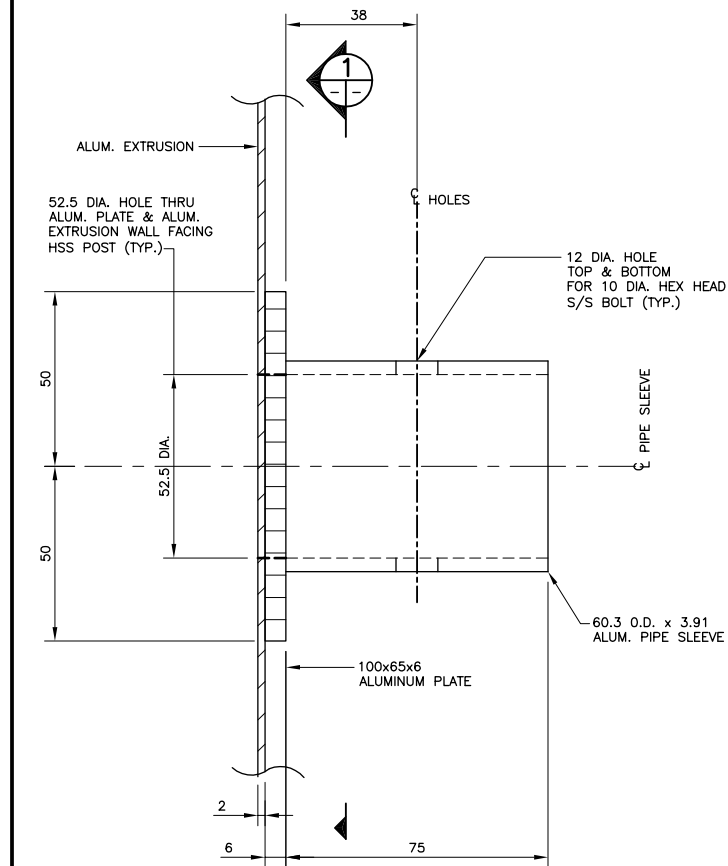


SIDE ELEVATION

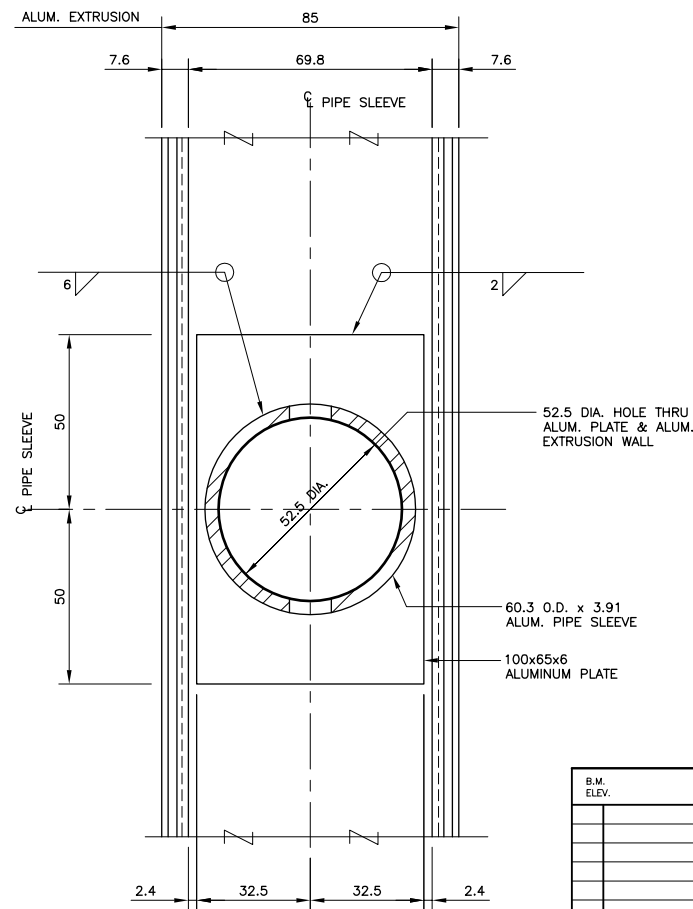
DETAIL B
1: 1



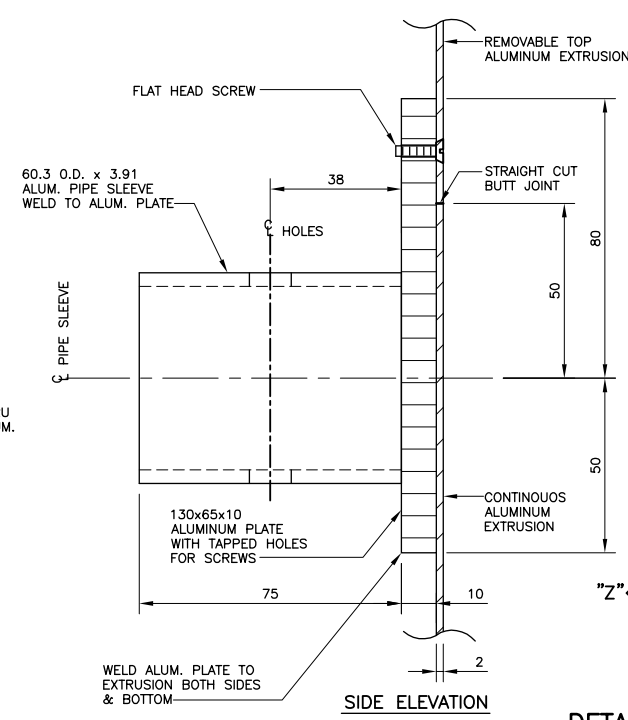
FRONT ELEVATION VIEW "Y"-"Y"



DETAIL C
1: 1

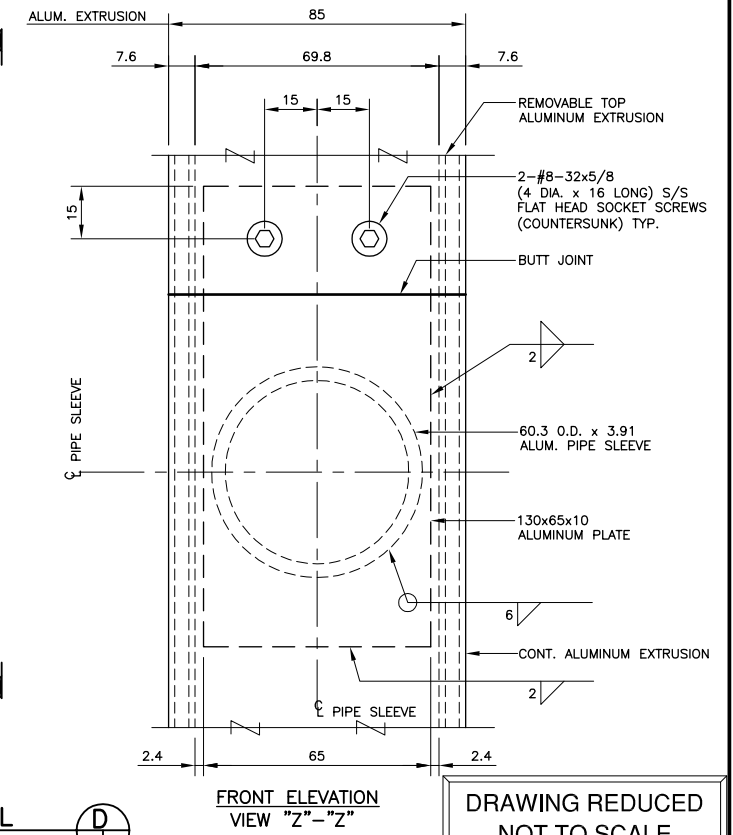


SECTION 1
1: 1



SIDE ELEVATION

DETAIL D
1: 1



FRONT ELEVATION VIEW "Z"-"Z"

DRAWING REDUCED NOT TO SCALE

B.M. ELEV. NO. REVISIONS DATE BY	DESIGNED BY	S.S.R./A.S.D.	DILLON CONSULTING RELEASED FOR CONSTRUCTION	ENGINEER'S SEAL S.S. RIHAL REGISTERED PROFESSIONAL ENGINEER	THE CITY OF WINNIPEG PUBLIC WORKS DEPARTMENT		
	DRAWN BY	N.B.G.				WAYFINDER SIGNS CITY DRAWING NUMBER WF-04-06 SHEET 6 OF 11	
	CHECKED BY	S.S.R.					SIGN BOX OPTION SIGN BOX DETAILS - SHEET 2 OF 2
	APPROVED BY						
	HOR. SCALE	AS SHOWN					
VERTICAL SCALE		CONSULTANT PROJECT NO. 04-3144-1000	DATE SEPT. 2004				