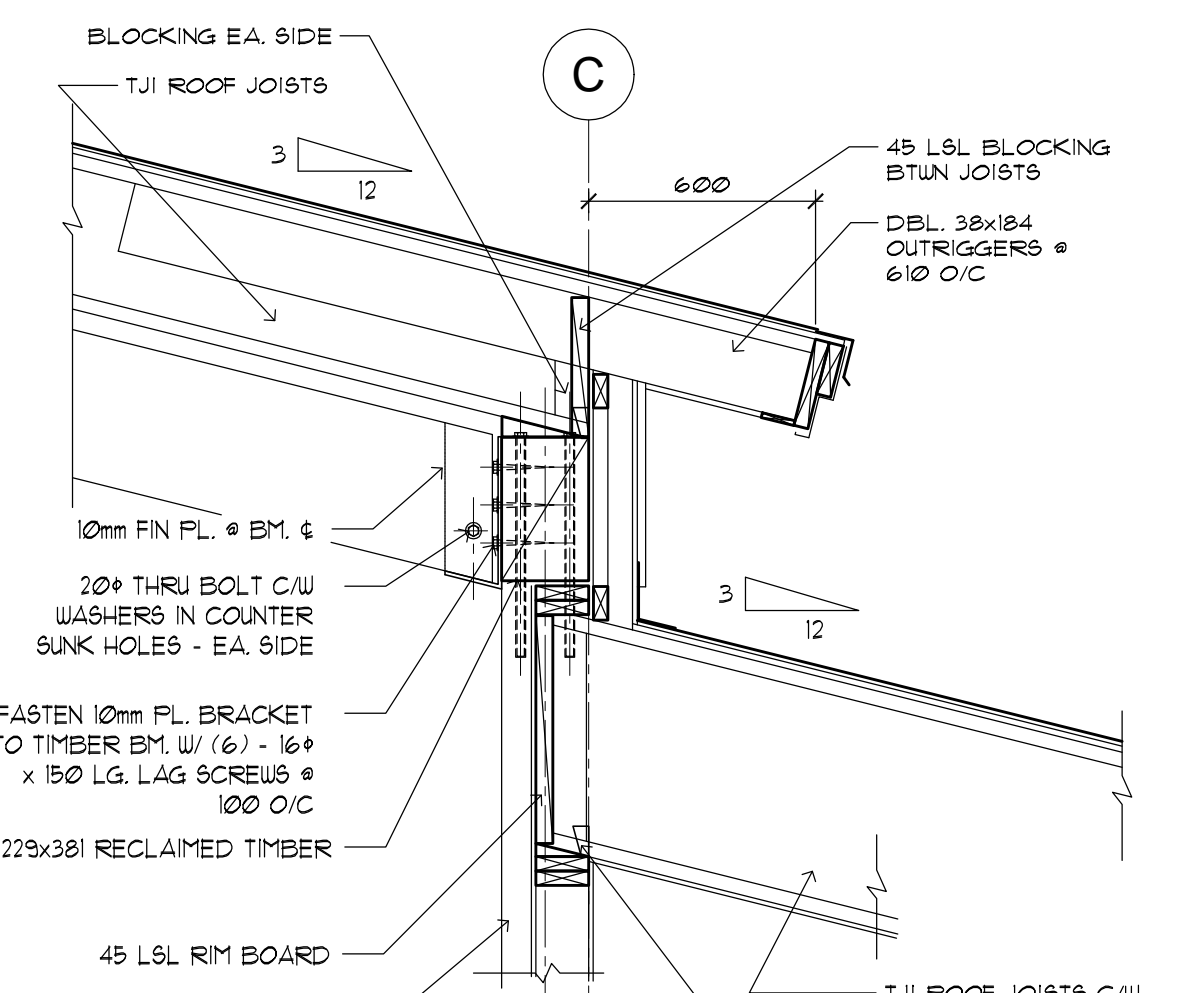
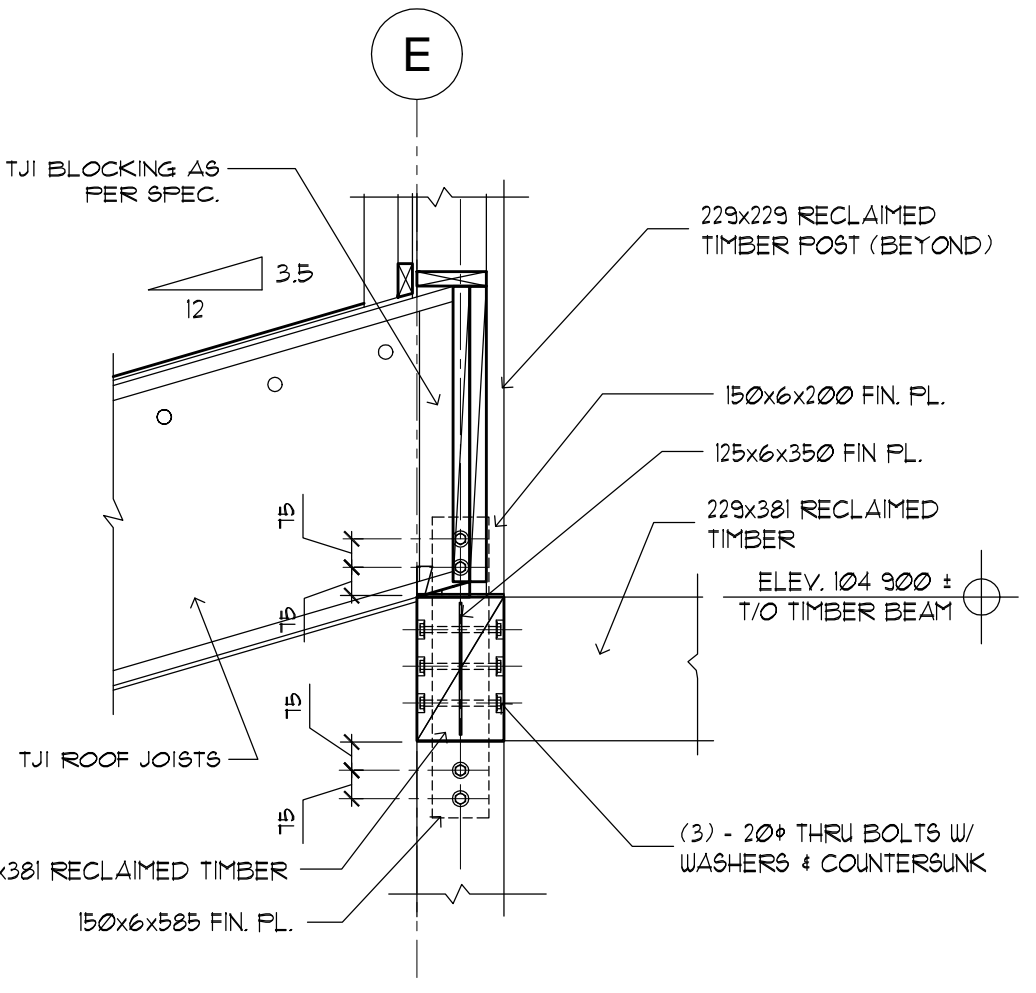


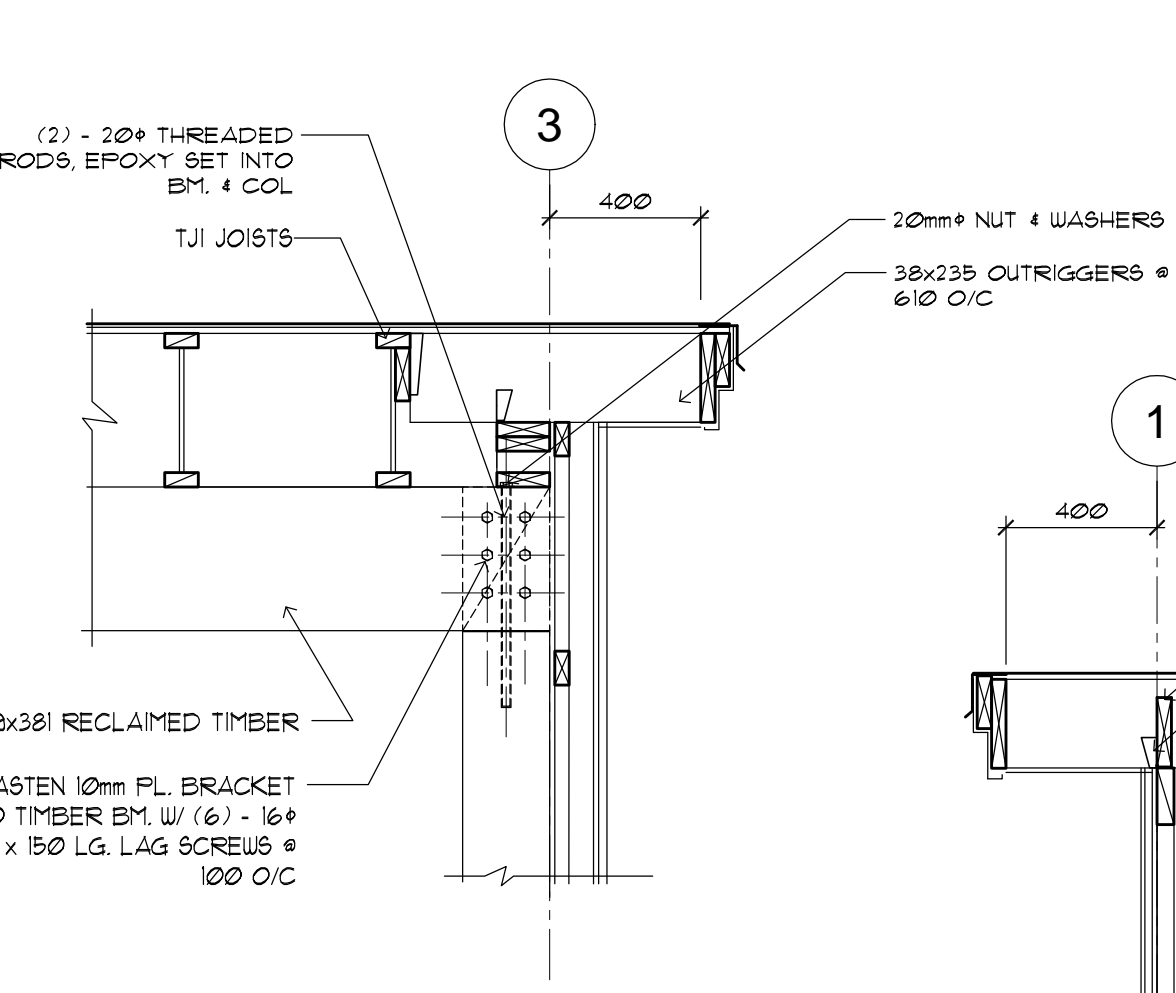
11 SECTION
S-4 1:20



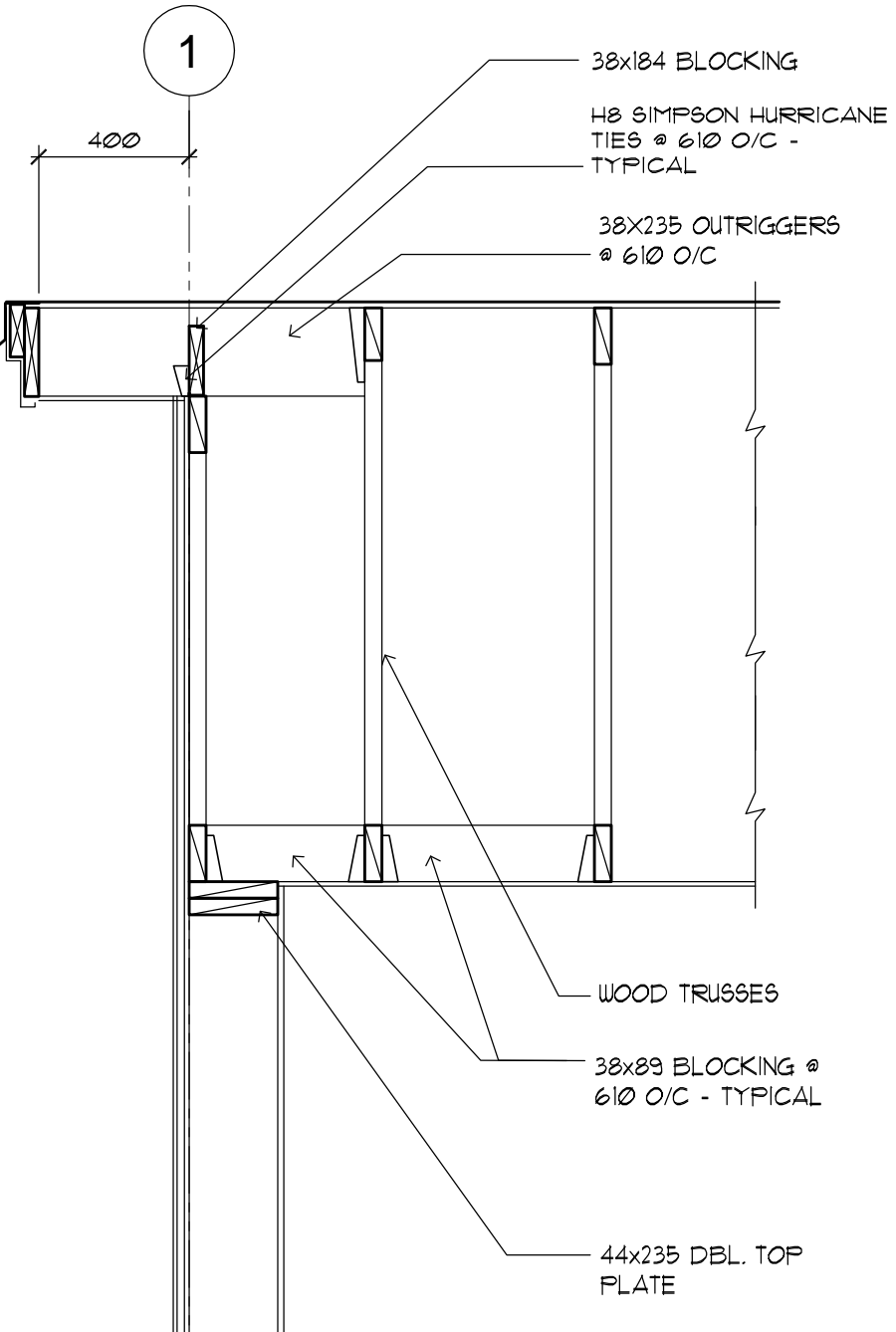
10 SECTION
S-4 1:20



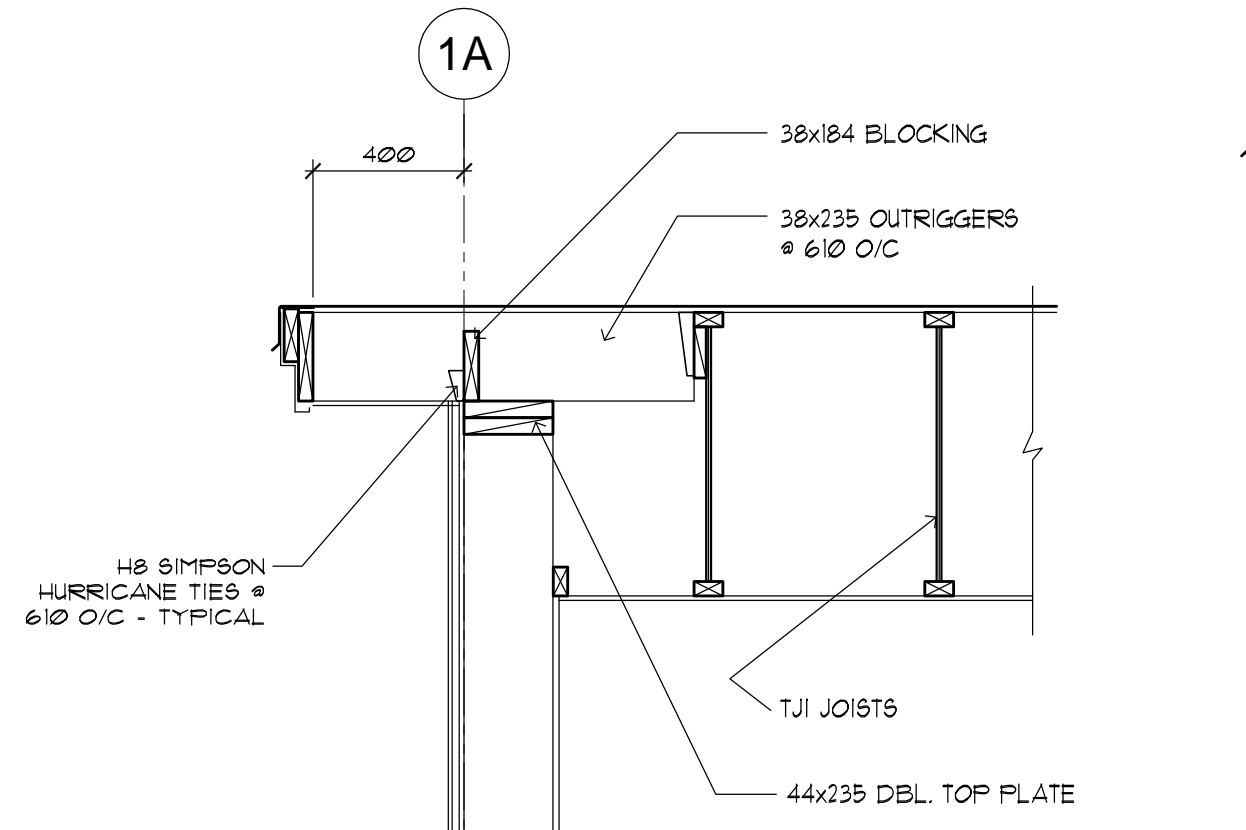
9 SECTION
S-4 1:20



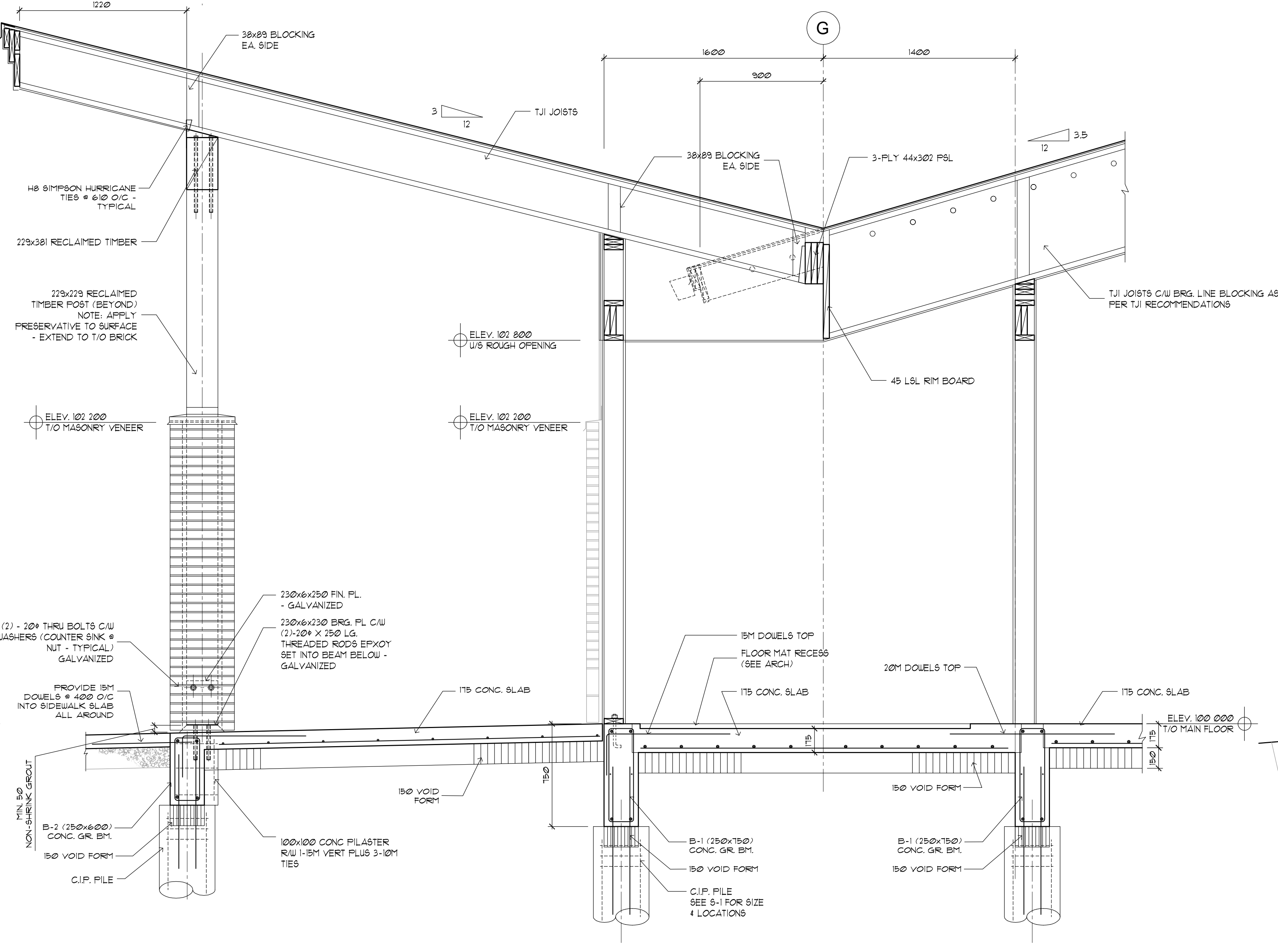
12 SECTION
S-4 1:20



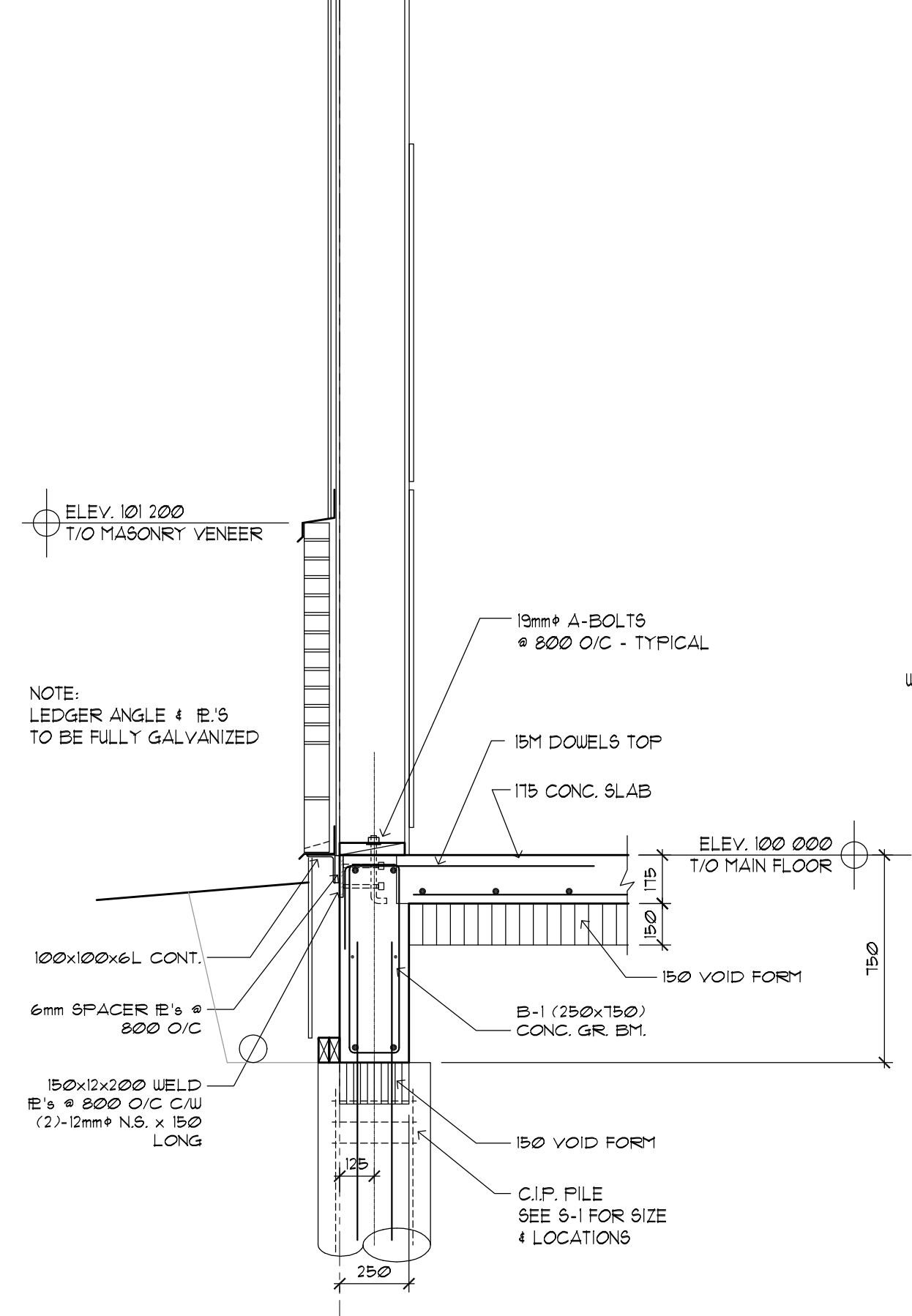
1 WALL SECTION
S-4 1:20



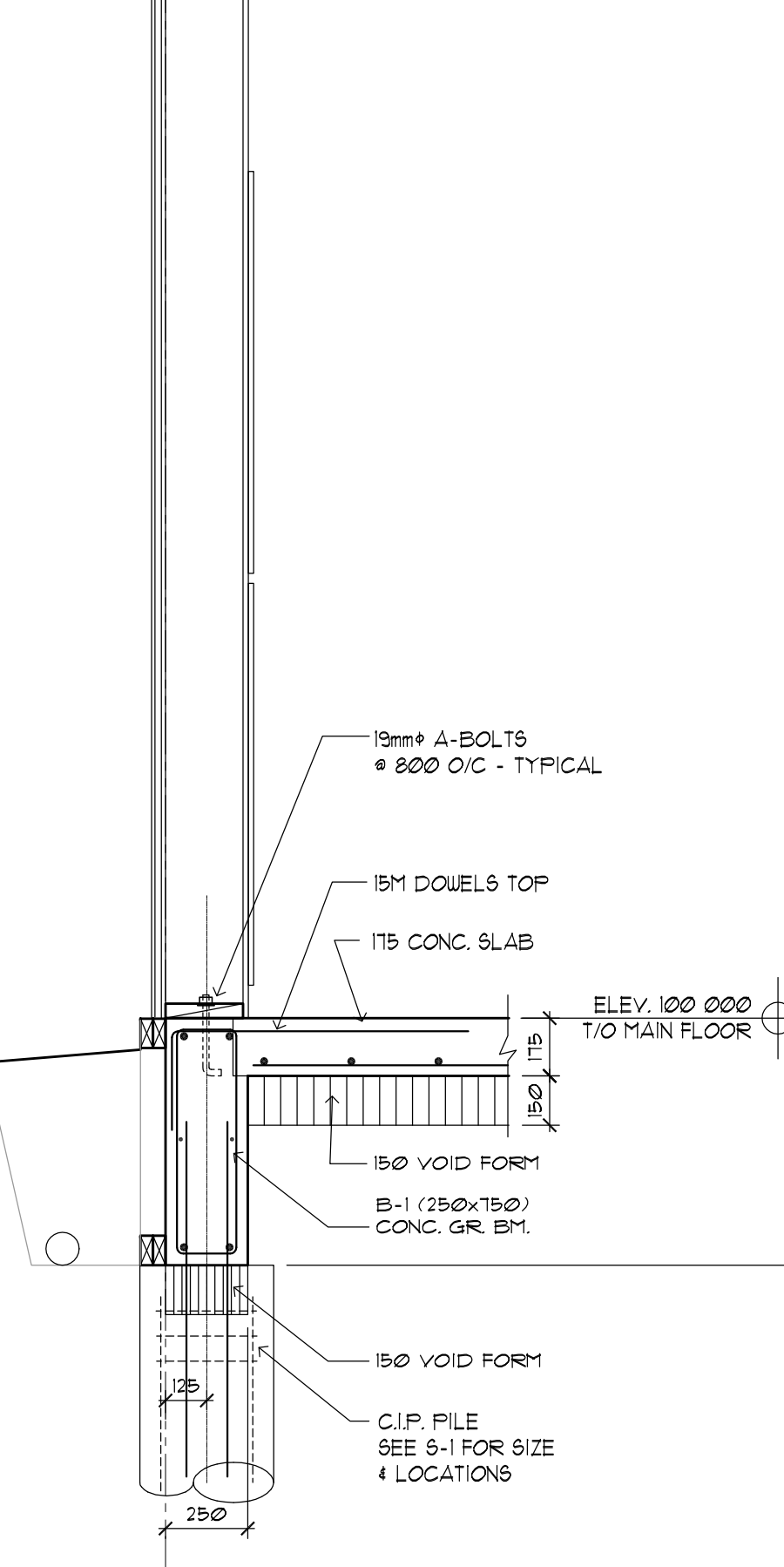
1A SECTION
S-4 1:20



7 WALL SECTION
S-4 1:20



8 WALL SECTION
S-4 1:20



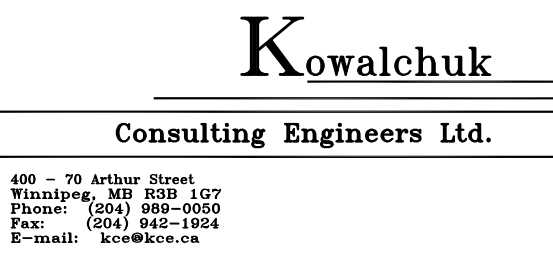
6 WALL SECTION
S-4 1:20

REVISIONS		
NO.	DATE	PARTICULARS
1	05-03-23	EXPANDED TENDER

NOTES



THIS DRAWING MUST NOT BE SCALED.
THE CONTRACTOR SHALL VERIFY ALL DIMENSIONS AND OTHER DATA ON SITE PRIOR TO COMMENCEMENT OF WORK. ALL DISCREPANCIES, ERRORS, AND OMISSIONS ARE TO BE REPORTED TO THE ENGINEER.
DRAWING AND SPECIFICATIONS, AS INSTRUMENTS OF SERVICE, ARE THE PROPERTY OF THE ARCHITECT. THE COPYRIGHT IN THE SAME BEING RESERVED TO HIM.
NO REPRODUCTION MAY BE MADE WITHOUT THE PERMISSION OF THE ARCHITECT, AND WHEN MADE, MUST BEAR HIS NAME. ALL PRINTS TO BE RETURNED TO THE ARCHITECT ON REQUEST.



PROJECT TITLE

RED RIVER COMMUNITY CENTRE REDEVELOPMENT

LOCATION
WINNIPEG, MB
293 MURRAY AVENUE

CLIENT
THE CITY OF WINNIPEG

DRAWING TITLE
SECTIONS AND DETAILS

DRAWN CML	APPROVED -	DRAWING S-4
SCALE 1:20	DATE ISSUED 05-03-23	
JOB NUMBER 03-050	DATE PLOTTED -	REVISION R-1