

Job/File No.: 0316

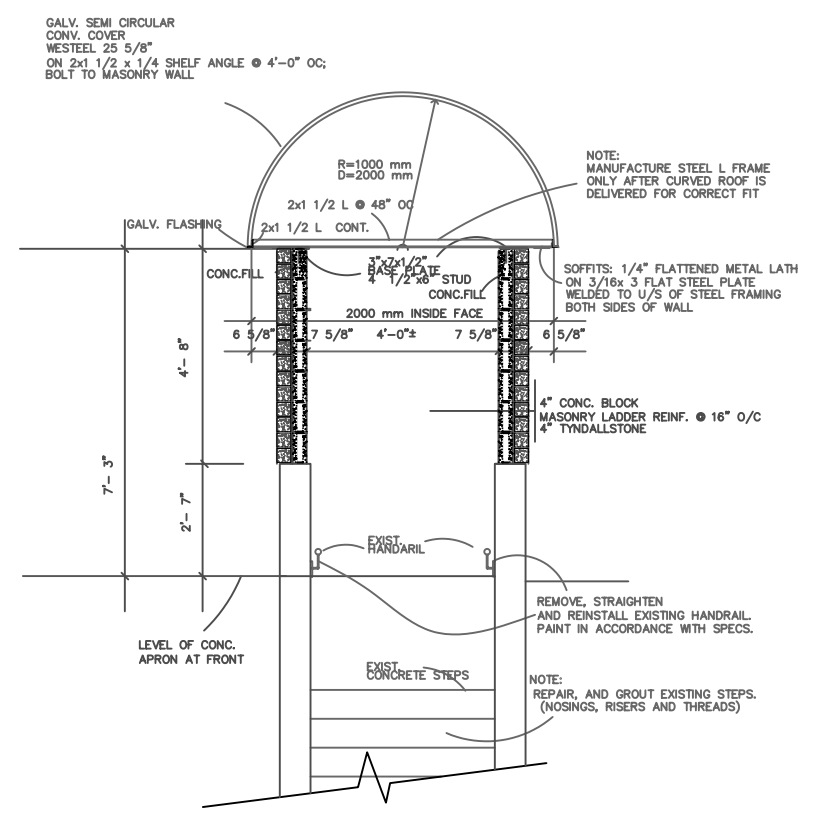
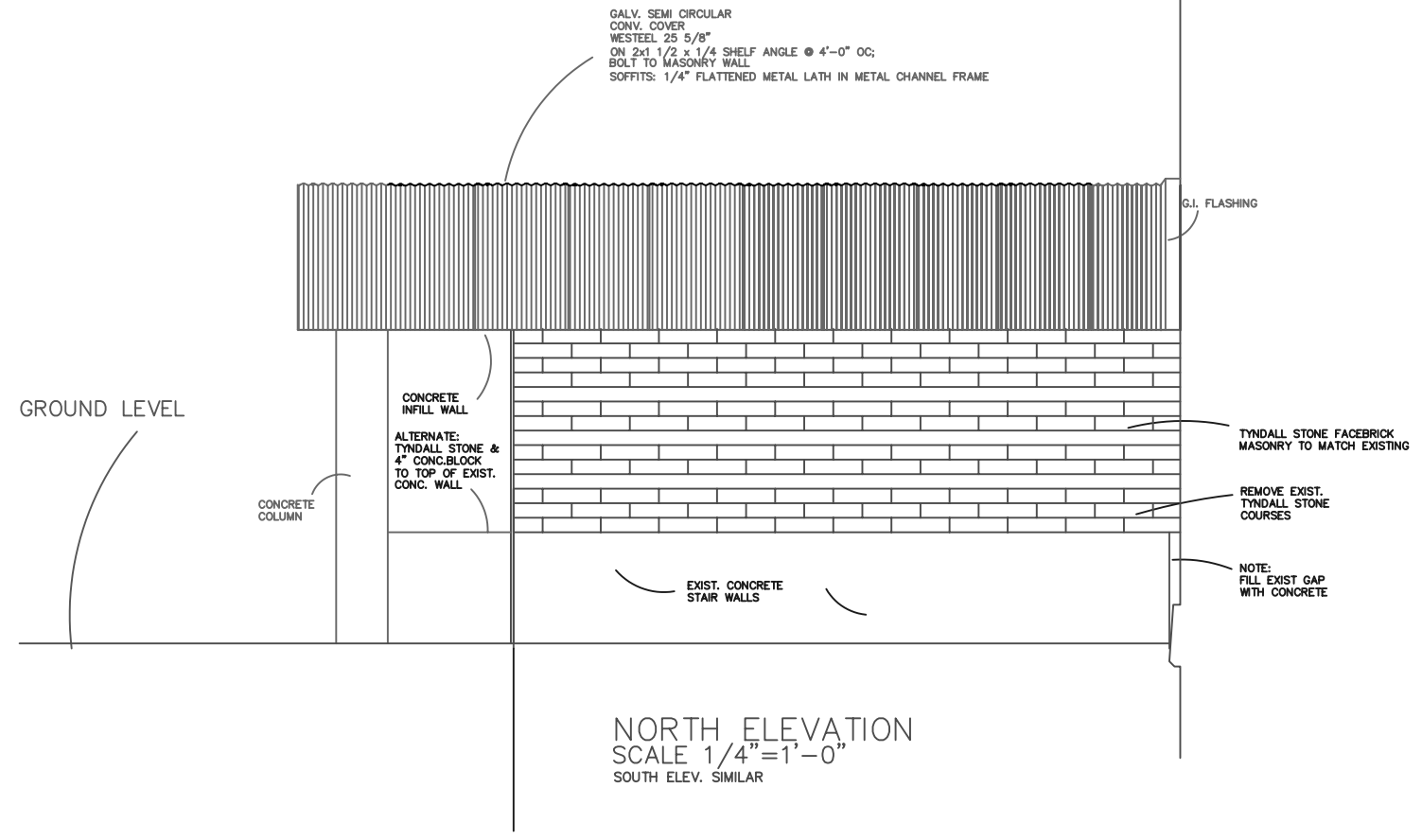
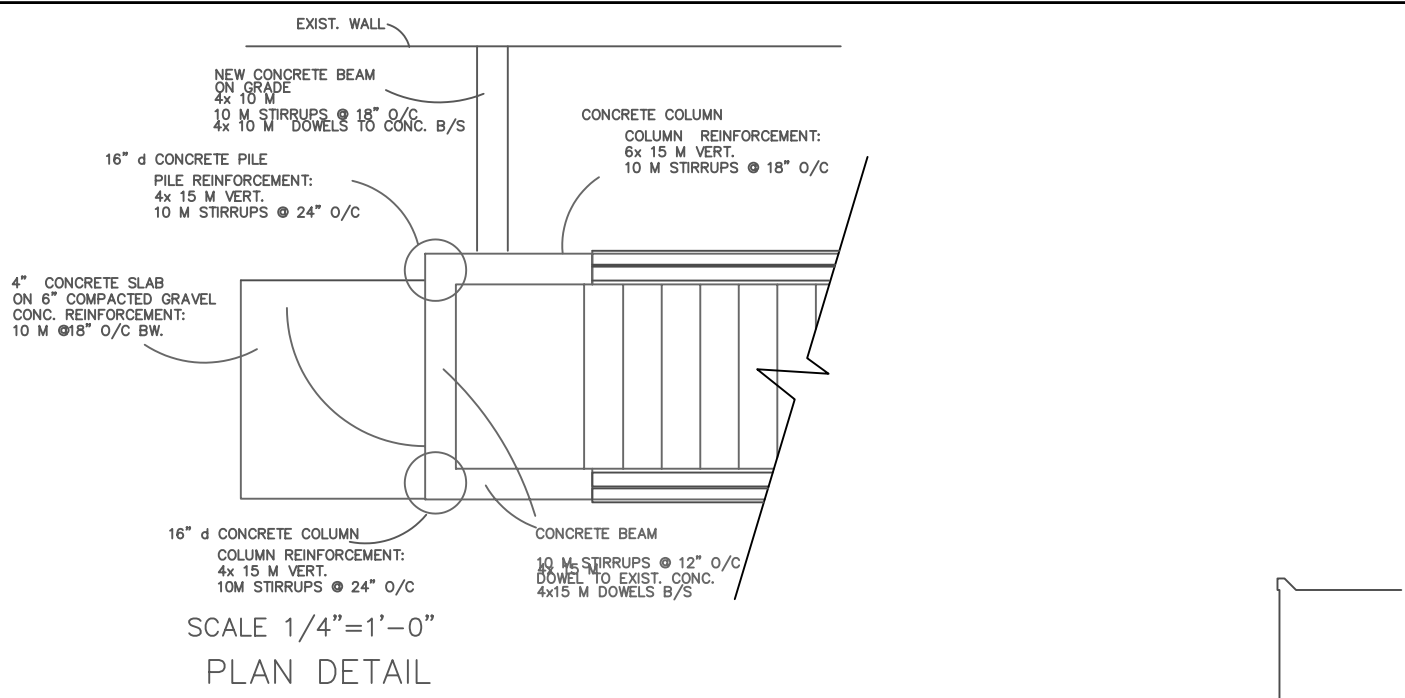
Dr: FJS

Date: July 4, 2003

Address: 1400 ROTHESAY STREET, WINNIPEG, MB

### GENERAL NOTE:

RELOCATE DOOR SENSOR FOR SECURITY



SECTION 2/21  
SCALE 1/4"=1'-0"

