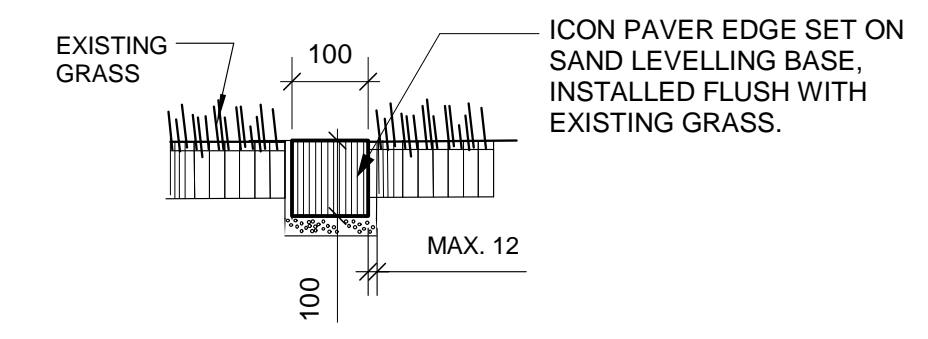
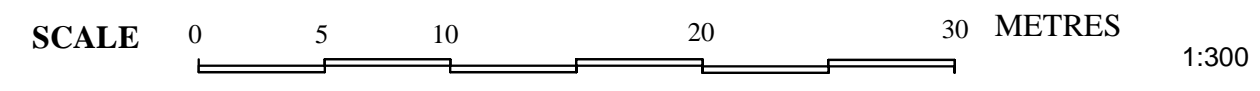
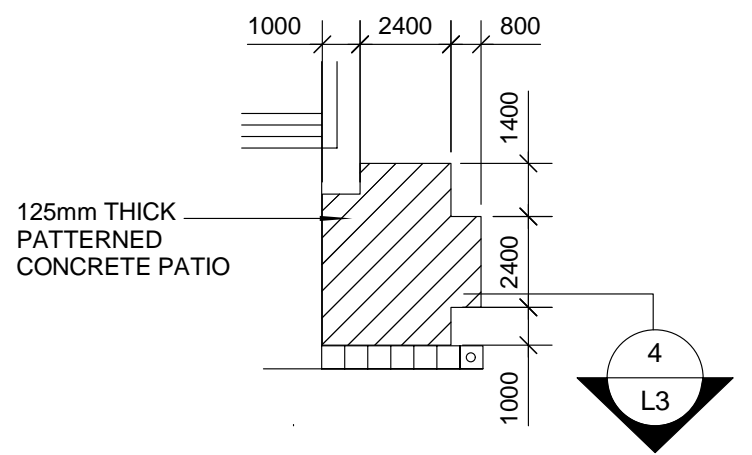


2 TREE PIT / PLANTING DETAIL
L3 Scale: 1:25

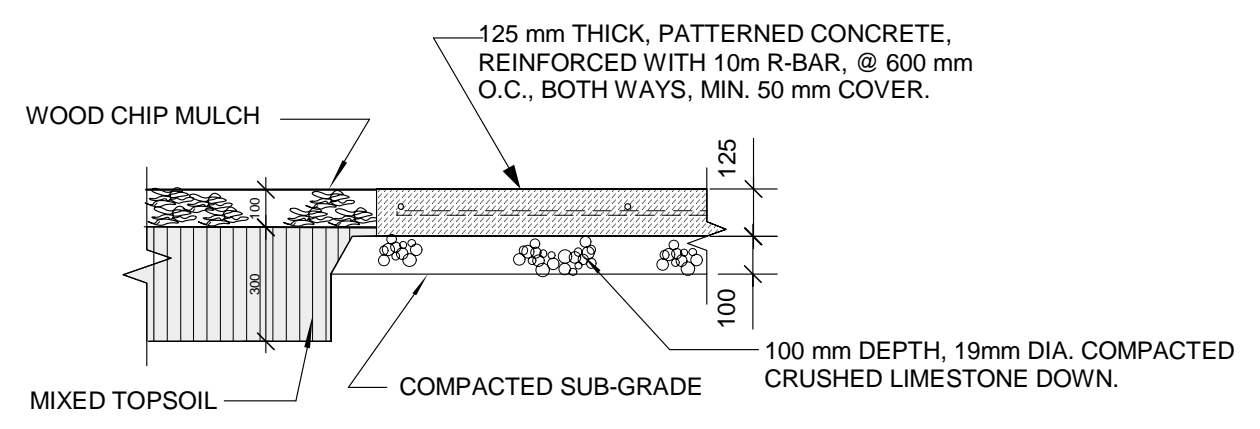
1 SITE PLAN
L3 Scale: 1:300



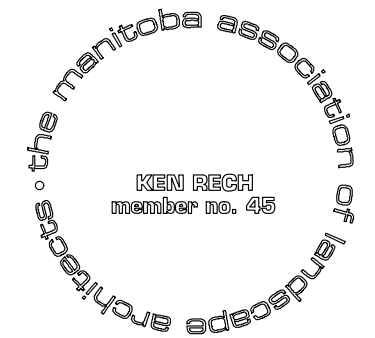
3 I-CON PAVER EDGE SECTION
L3 Scale: 1:10



5 PATIO LAYOUT
L3 Scale: 1:200



4 SHRUB BED/CONCRETE PATIO SECTION
L3 Scale: 1:20



| | | | | |
|--|--------------------------------------|----------------------------|----------------------------|-------------------------|
| PROJECT TITLE CLIFTON SCHOOL | DRAWING TITLE LAYOUT PLANS | SCALE AS NOTED | DRAWN BY K. RECH | SHEET NO. L-3 |
| KEN RECH LANDSCAPE ARCHITECTS INC 1480 Wellington Crescent Winnipeg Manitoba Fax 489-6852 R3N 0B3 Tel(204) 489-6616 | | DATE APRIL 19/04 | FILE NO. 04-01K | |