

Appendix C

Butterfly Valve Reviewed Shop Drawings

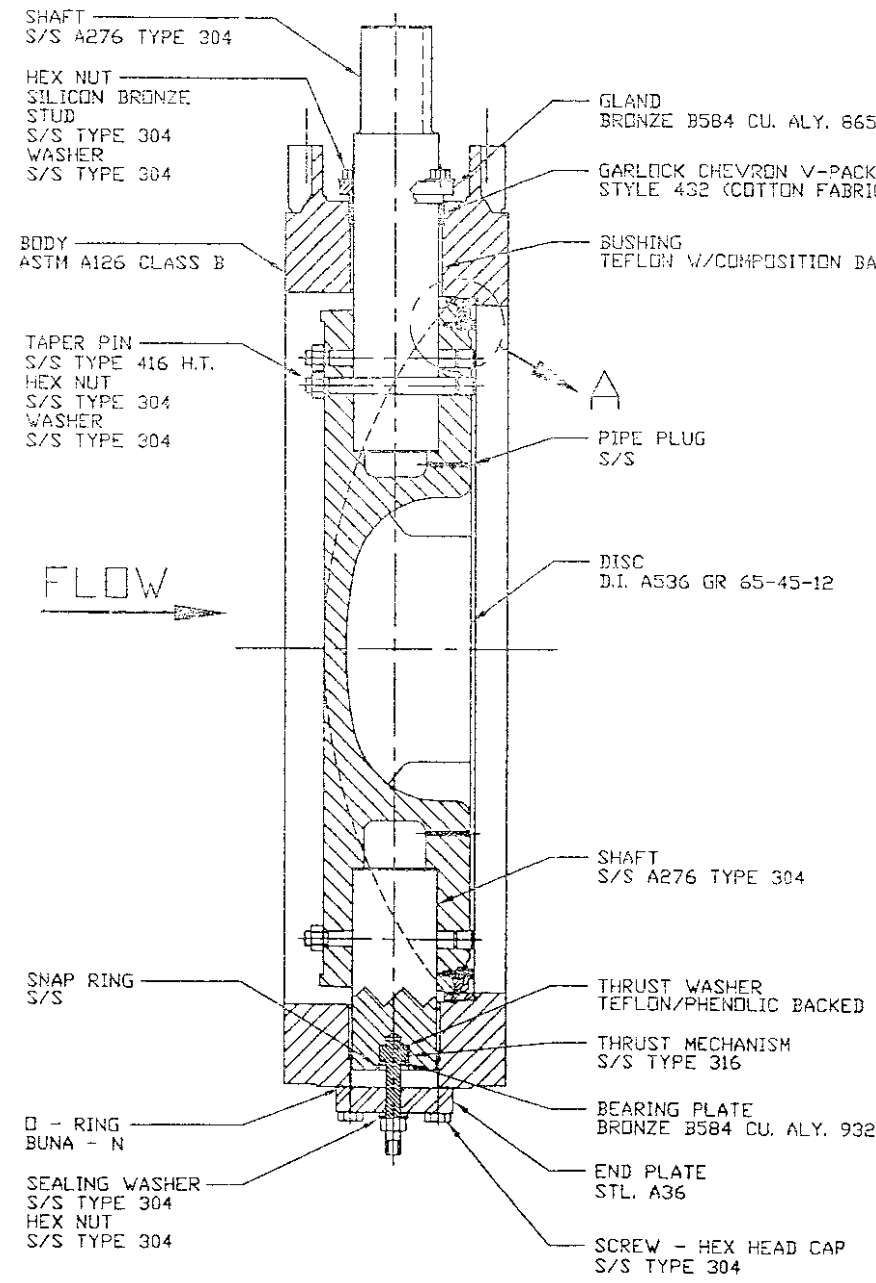
SIZE	A	B	C	D	E	FF	G	GG	H	K	W	T	V	Z	X	ØL	M	N	KEYWAY
54	52.98	66.25	37.75	33.38	3.00	15.00	62.75	14	(38) 2.00'	(6) 1.75'-5 X 2.75' DP.	6.75	1.25'-7 X 2.25' DP.	19.62	12.25	3.75/7.31	6.50	14.75	15.50	1.50 WIDE X 0.75 DEEP
66	64.63	80.00	44.50	40.50	3.38	18.00	75.00	52	(44) 2.00'	(8) 1.75'-5 X 2.75' DP.	7.75	1.25'-7 X 2.25' DP.	19.62	14.62	3.75/7.56	7.00	17.75	18.75	1.75 WIDE X 0.89 DEEP

PAINT SYSTEM:
 SURFACE PREP. PER SSPC-6 (COMMERCIAL BLAST)
 INTERIOR - AMERLOCK 400 HIGH SOLIDS EPOXY - 2 COAT
 EXTERIOR - AMERLOCK 400 HIGH SOLIDS EPOXY - 2 COAT
 FINISH COLOR: MEDIUM GRAY

TESTING: HYDRO TEST @ 300 PSI FOR 10 MINUTES
 LEAK TEST @ 150 PSI WATER FOR 5 MINUTES
 ALLOWABLE LEAKAGE RATE - DROP TIGHT
 PERFORMANCE TEST 3 CYCLES (VES 062)

PACKAGING: COMMERCIAL (VES 0035)

FLOW RECOMMENDED IN DIRECTION SHOWN
 VALVE MAY BE INSTALLED WITH SHAFT IN EITHER
 VERTICAL OR HORIZONTAL POSITION
 ROTATE SHAFT CLOCKWISE TO CLOSE VALVE



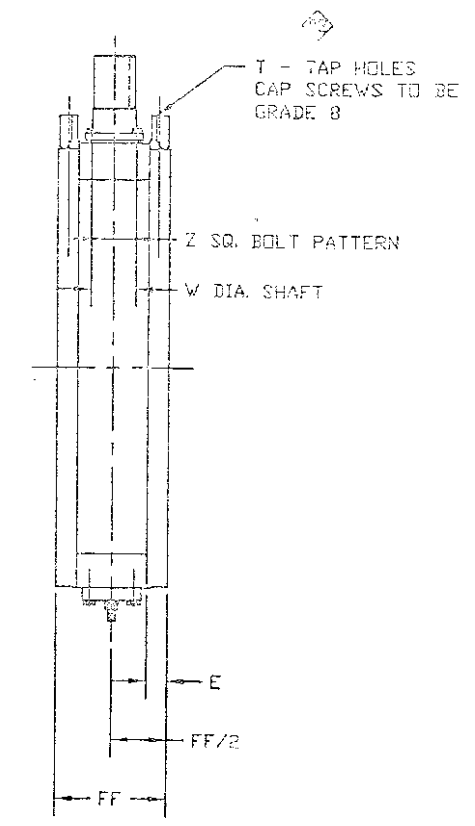
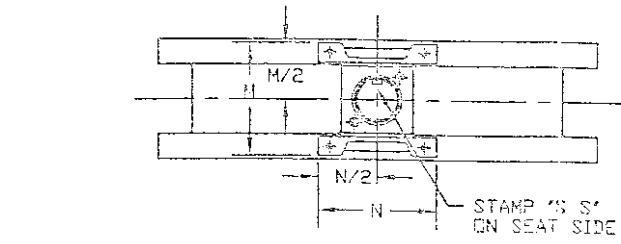
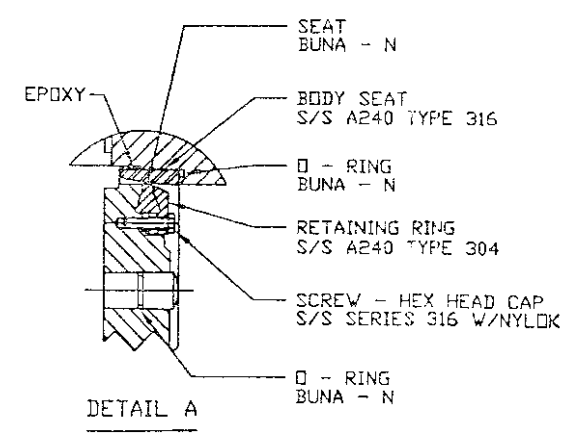
Earth Tech (Canada) Inc.

NOTE:
 Reviewed for compliance with design intent.
 V-DIMENSION = ADAPTER-BRACKET THICKNESS + MAX. VALVE STEM LENGTH INTO ACTUATOR DRIVE SLEEVE rests with the O-ring.

Responsibility for verification and correlation of field construction, foundation, supports, techniques of construction, installation and operation of all parts of the work rests with the Contractor.

REMOVED ✓
 REVIEWED AS MODIFIED ✓
 REVISE AND RE-SUBMIT ✓
 NOT REVIEWED ✓

Project No. **63672 - DEACON UV DISINFECTION**
 Date: **MAR. 04, 2004** By: *[Signature]*



CUSTOMER: MUELLER FLOW CONTROL
 777 CENTURY ST.
 WINNIPEG, MANITOBA R3H 0M2
 CANADA

CUSTOMER P.O. NO. 17591 WT
 RODNEY HUNT CO SO NO. 031011-4

PROJECT: CITY OF WINNIPEG TENDER 493-2003
 DEACON ULTRAVIOLET (UV) LIGHT DISINFECTION PROJECT

REVISION LEVEL 04
 THIS IS AN AUTOCAD GENERATED DRAWING - NO MANUAL REVISIONS ALLOWED

RODNEY HUNT COMPANY ORANGE, MA. 01364-1251

THIS DRAWING IS THE PROPERTY OF RODNEY HUNT COMPANY. ACCEPTANCE OF THIS DRAWING CONSTITUTES AGREEMENT ON THE PART OF ANY USER THEREOF THAT IT IS TRANSMITTED OR COPIED TO OTHERS. IF IT IS COPIED OR REPRODUCED WITHOUT THE WRITTEN PERMISSION OF RODNEY HUNT COMPANY, THE USER SHALL BE RESPONSIBLE FOR ALL DAMAGES AND LOSSES INCURRED BY THE USER.

84' & 66' - 153B BUTTERFLY VALVES	DATE 12/15/03
DRAWN VKK	DESIGNED
CHECKED	APPROVED
SCALE NTS	
ORDER NO 031011-4	DWG NO V031011

NO.	DATE	BY	CHK	DATE	ALT	CHANGE
1	02/15/04	VKK				DELETED CUSTOMER TO VERIFY INFO. ADDED ØL DIMENSION, ADDED KEYWAY DIMENSIONS, ADDED TOP FLANGE DIMENSIONS (M.N.), SHAFT STICK OUT 8.00 WAS 8.89, CHANGED 15-Ø SERIES 304 FASTENERS TO TYPE 304
2	02/15/04	VKK				CHEVRON V-PACKING WAS SQUARE PACKING-FIBER AND GRAPHITE, ADDED FINISH COLOR: MEDIUM GRAY
3	02/15/04	VKK				V-DIMENSION 13.62 WAS 9.00 FOR 54" VALVE AND 10.00 FOR 66" VALVE
4	02/15/04	VKK				V-DIMENSION 13.62 WAS 9.00 FOR 54" VALVE, 1.25'-7 X 2.25' DP. WAS 1.00'-6 X 2.00' DP. FOR 66" VALVE