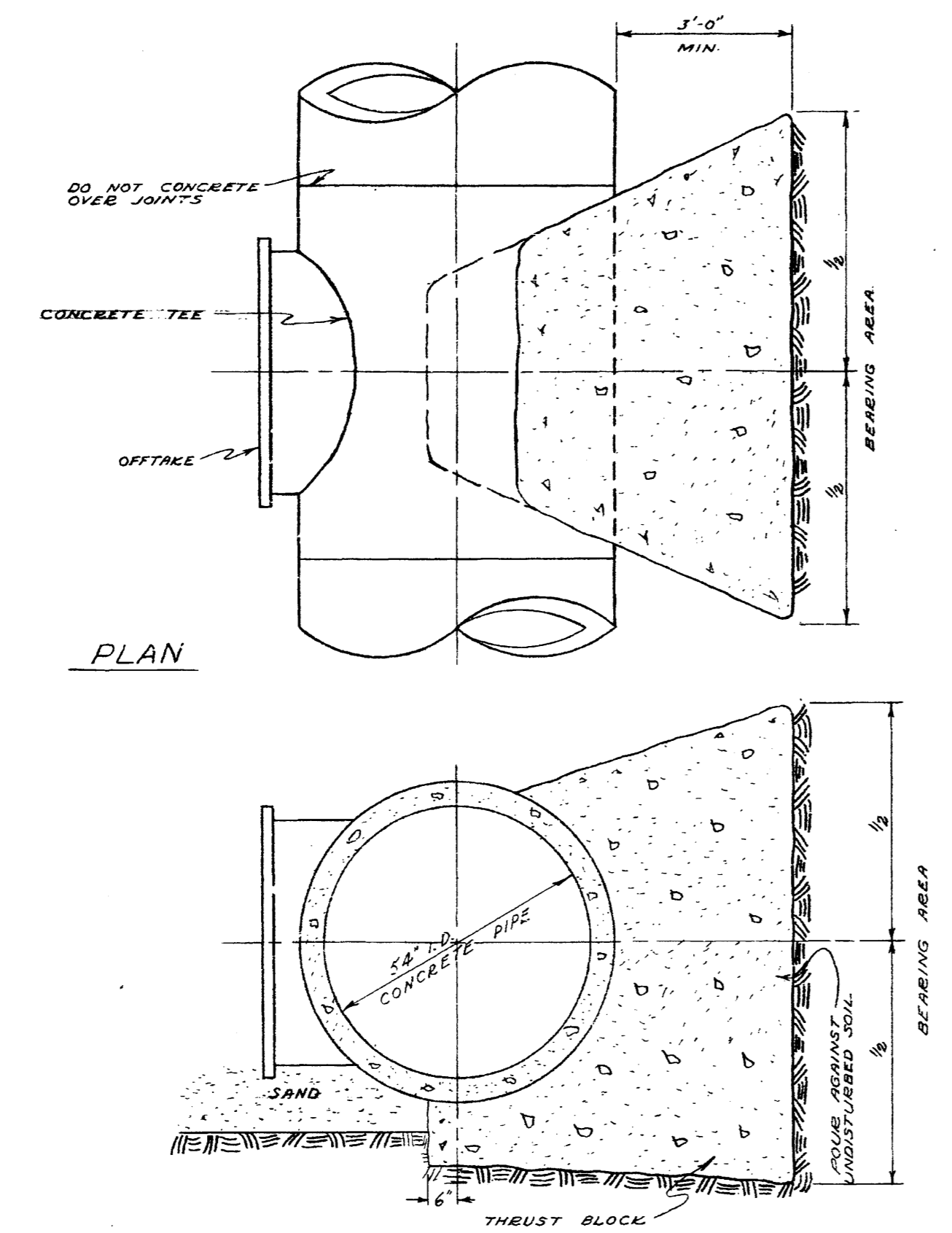
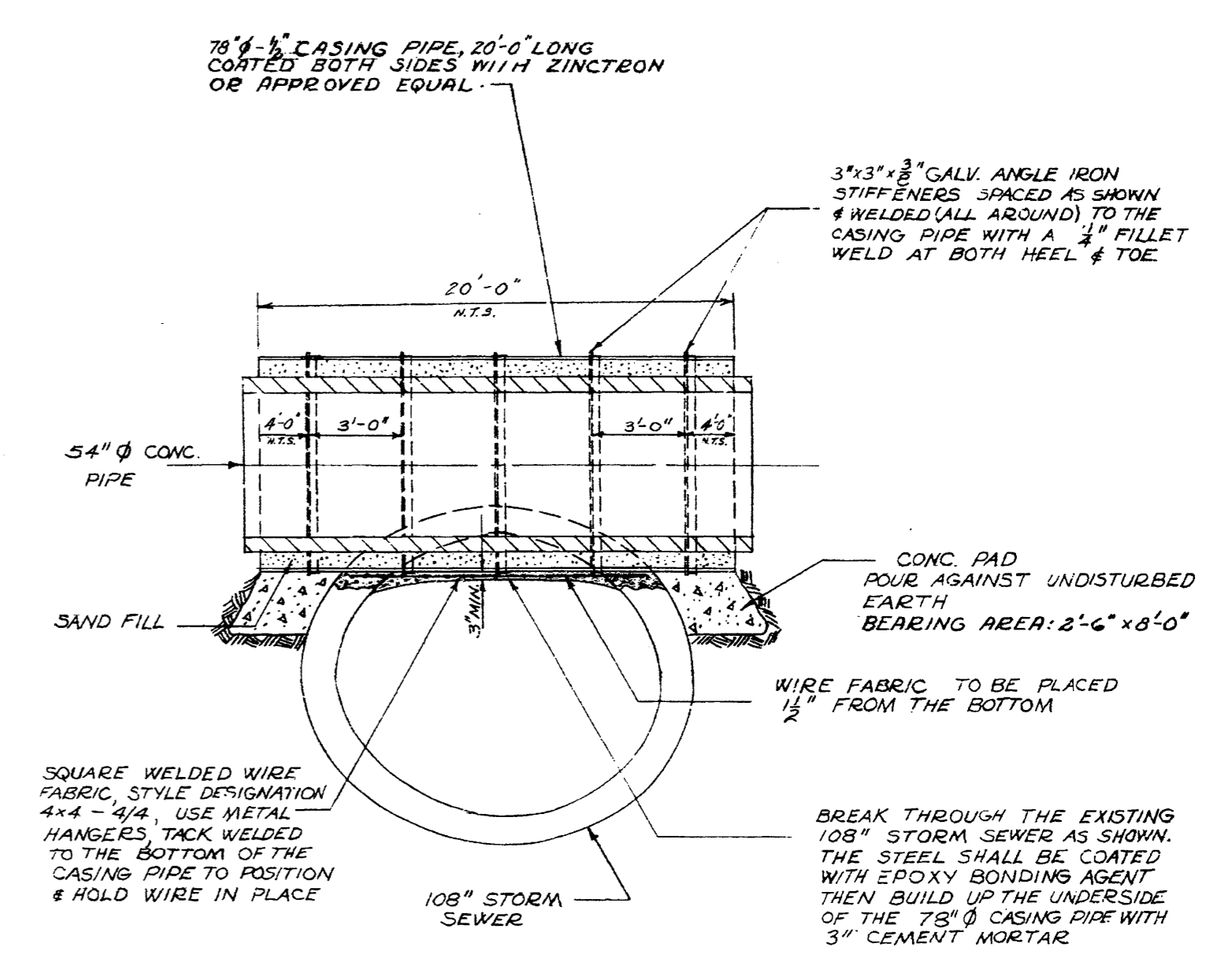
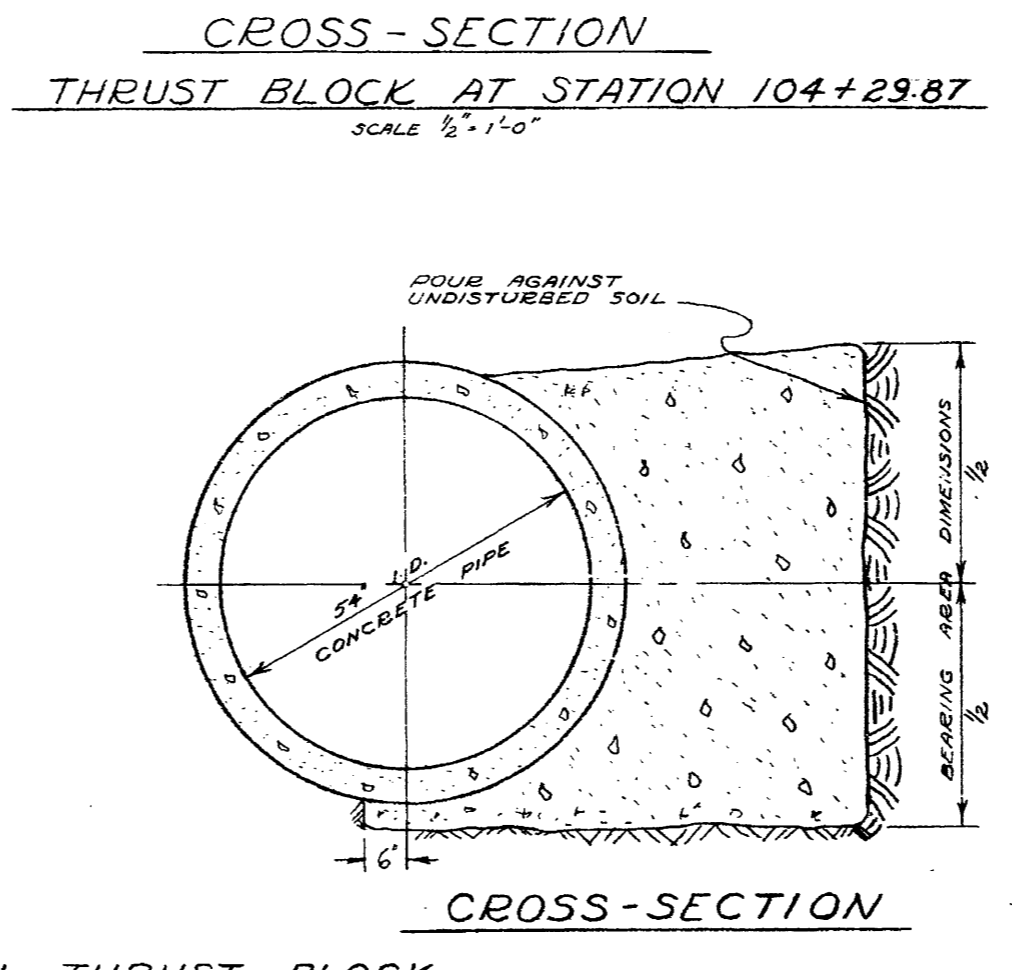
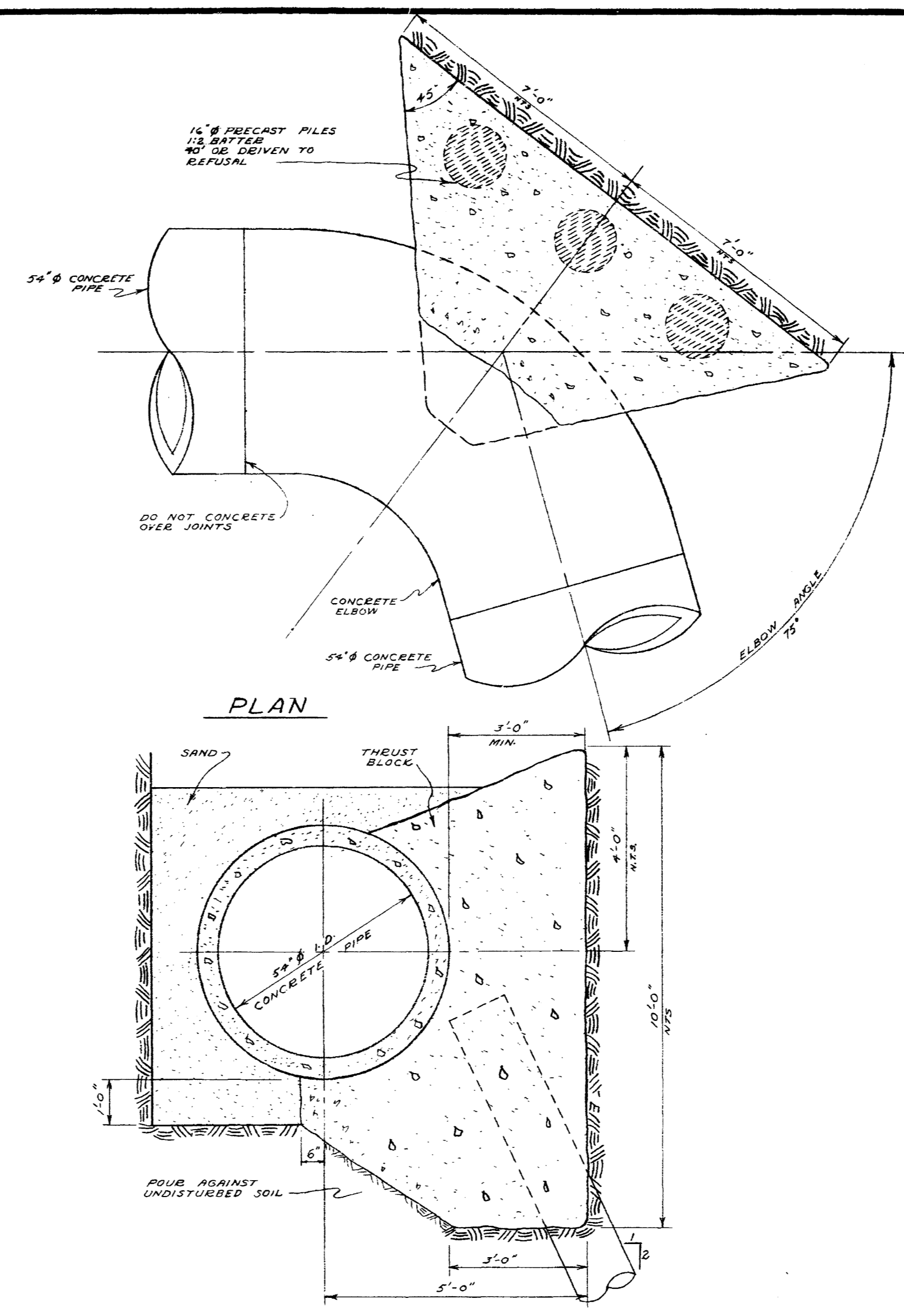
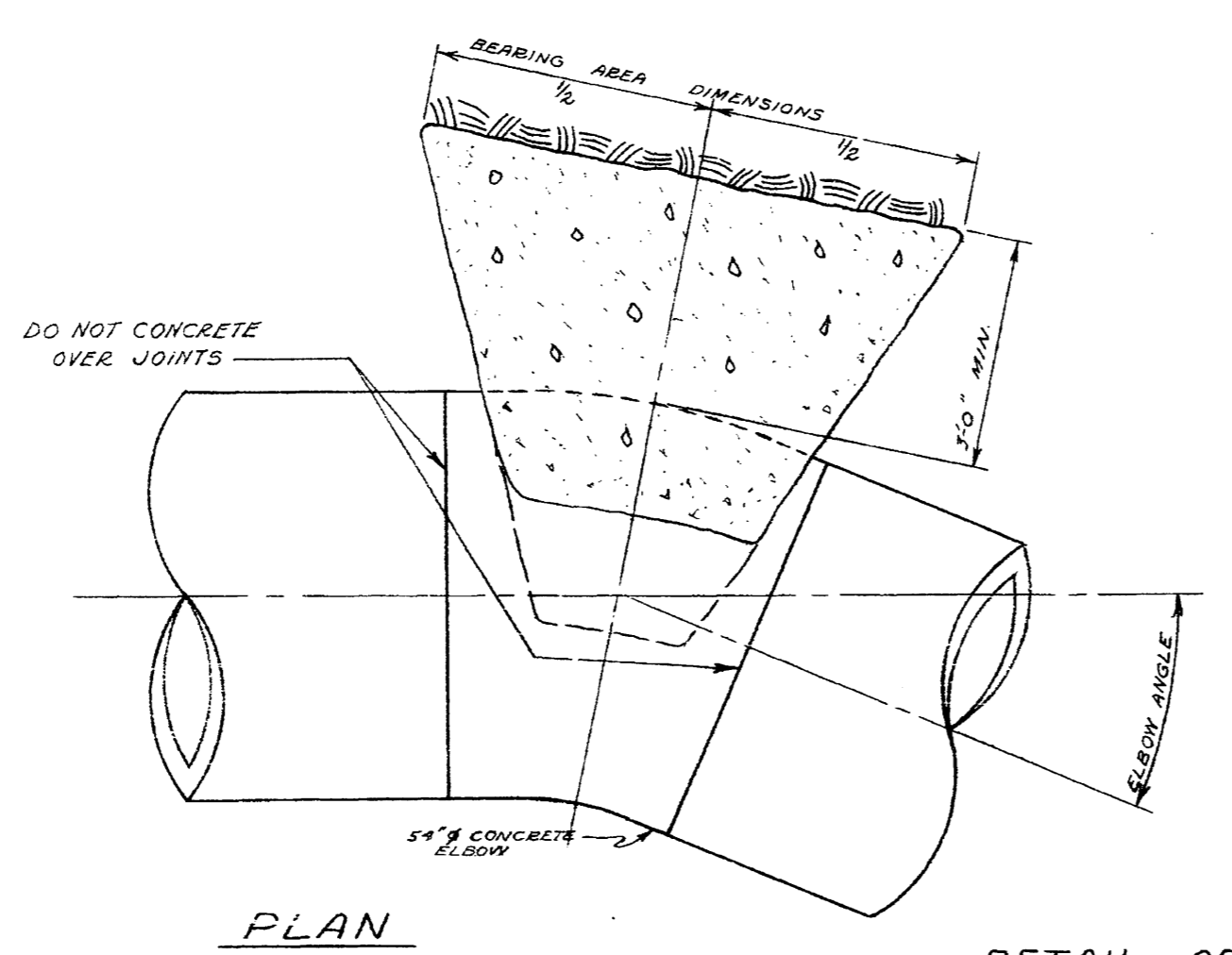


D SIZE 22" x 34" (559mm x 864mm)

D-1013



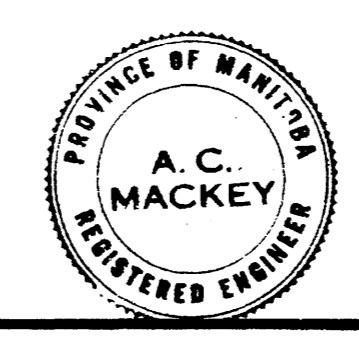
NO.	LOCATION	BEARING AREA
1	STATION 62+50.00	6'-0" x 4'-0"
2	STATION 104+60.00	8'-9" x 8'-0"
3	STATION 157+68.44	8'-9" x 8'-0"



NO.	LOCATION	ANGLE	BEARING AREA
1	STATION 0+90.53	14° 24' 00"	6'-0" x 5'-0"
2	STATION 6+00.53	10° 00' 00"	6'-0" x 3'-6"
3	STATION 7+15.71	10° 06' 00"	6'-0" x 3'-6"
4	STATION 23+89.95	10° 00' 00"	6'-0" x 3'-6"
5	STATION 25+77.02	29° 30' 00"	8'-0" x 7'-6"
6	STATION 60+75.25	5° 32' 30"	5'-6" x 2'-0"
7	STATION 102+28.00	30° 00' 00"	8'-0" x 7'-6"
8	STATION 104+29.87	74° 47' 00"	14'-0" x 10'-0"
9	STATION 156+03.40	22° 30' 00"	6'-0" x 7'-6"
10	STATION 157+02.80	22° 30' 00"	6'-0" x 7'-6"

*NOTE: 30" ELBOW @ STATION 102+28.00 REQUIRES TWO 12" PILES, 35' LONG OR GIVEN TO REFUSAL 1/3 BATTER

REVISIONS				THE METROPOLITAN CORPORATION OF GREATER WINNIPEG	
NO.	DESCRIPTION	DATE	BY	WATERWORKS & WASTE DISPOSAL DIVISION	
1	THRUST BLOCK AT STA. 62+50.00 CHANGED TO STA. 62+30.00	1 Nov. 02	S.K.	54" Ø AQUEDUCT INTERCONNECTION	
2				DETAIL OF THRUST BLOCKS & 108" STORM SEWER CROSSING	
3				APPROVED BY: [Signature] DESIGNED BY: A.M. CHECKED BY: G.E.B.	
4				DRAWN BY: [Signature] DATE: 16 OCT. 02.	
5				DRAFTER: [Signature] SCALE: AS SHOWN	
6				DRAWING NO. D-1013	
7				CHIEF ENGINEER	
8					



<p>LOCATION APPROVED UNDERGROUND STRUCTURES</p> <p>SUPR. U/G STRUCTURES COMMITTEE DATE</p> <p>NOTE: LOCATION OF UNDERGROUND STRUCTURES AS SHOWN ARE BASED ON THE BEST INFORMATION AVAILABLE. BUT NO GUARANTEE IS GIVEN THAT ALL EXISTING UTILITIES ARE SHOWN OR THAT THE GIVEN LOCATIONS ARE EXACT. CONFIRMATION OF EXISTENCE AND EXACT LOCATION OF ALL SERVICES MUST BE OBTAINED FROM THE INDIVIDUAL UTILITIES BEFORE PROCEEDING WITH CONSTRUCTION.</p>	<p>BM -</p> <p>ELEV -</p>	<p>uma</p> <p>www.umagroup.com</p> <p>2004 UMA ENGINEERING LTD. ALL RIGHTS RESERVED.</p> <p>DESIGNED BY: MGM CHECKED BY:</p> <p>DRAWN BY: WJD APPROVED BY:</p> <p>HOR. SCALE: 1:500 RELEASED FOR CONSTRUCTION</p> <p>VERT. SCALE: 1:50</p>	<p>PROFESSIONAL'S SEAL</p> <p>CONSULTANT DRAWING NO. D265-182-00</p>	<p>THE CITY OF WINNIPEG</p> <p>Winnipeg</p> <p>BRANCH II AQUEDUCT INTERCONNECTOR - VALVE CHAMBER</p> <p>HISTORICAL DRAWING (FOR INFORMATION ONLY)</p>	<p>BID OPPORTUNITY 215-2004</p> <p>SHEET OF</p> <p>CITY DRAWING NUMBER</p> <p>REV</p> <p>D-1013</p>
---	---------------------------	---	--	--	--