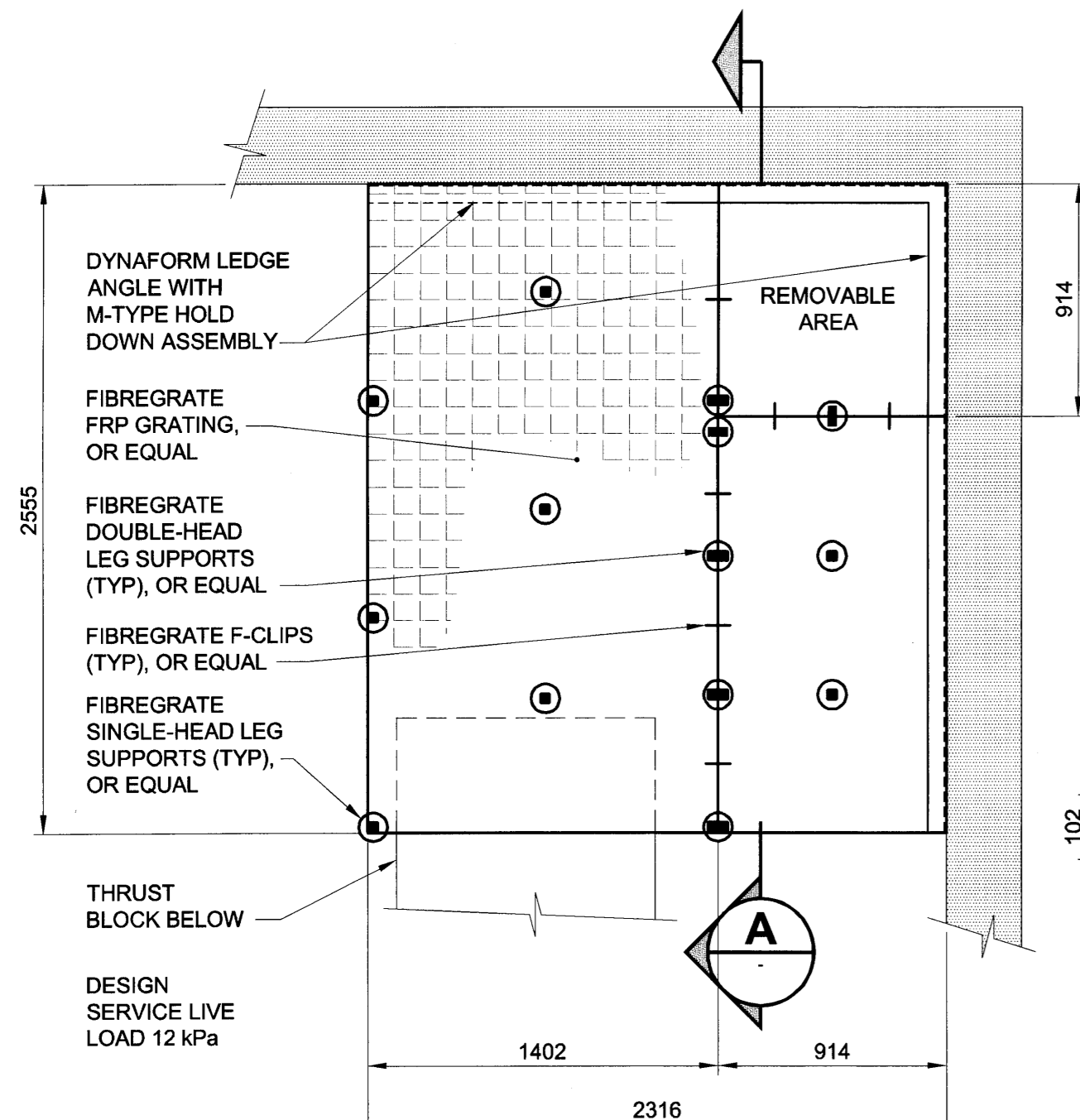


D SIZE 22" x 34" (569mm x 864mm)

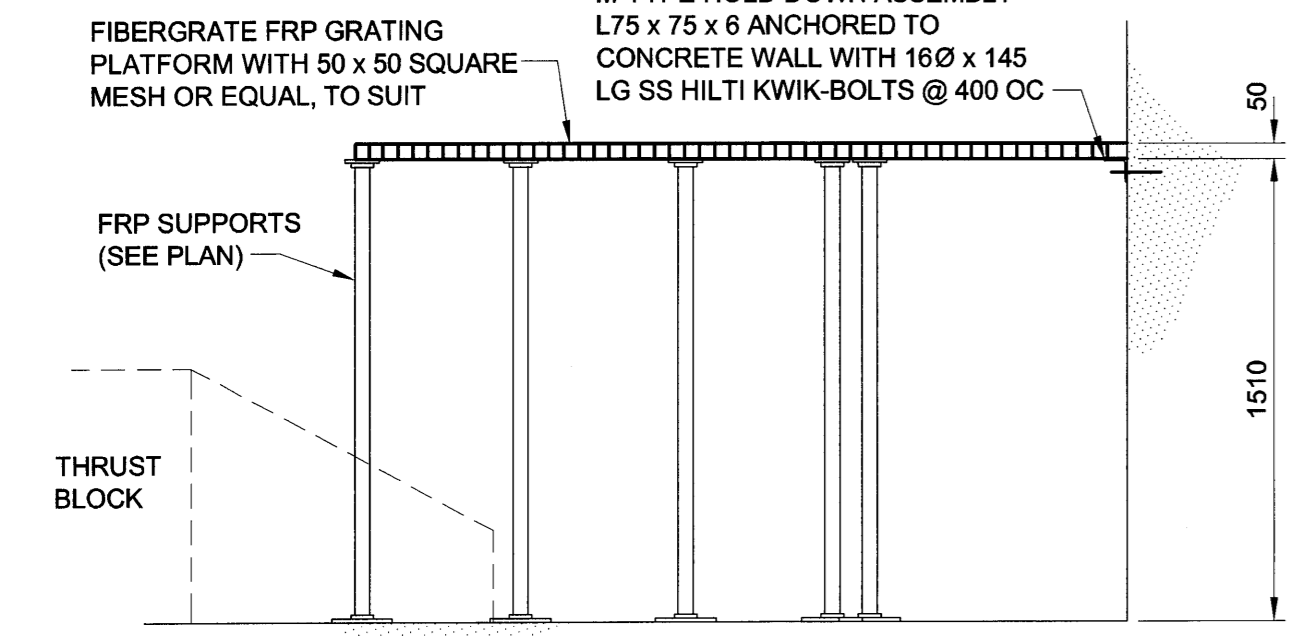


FRP PLATFORM

SCALE 1:25

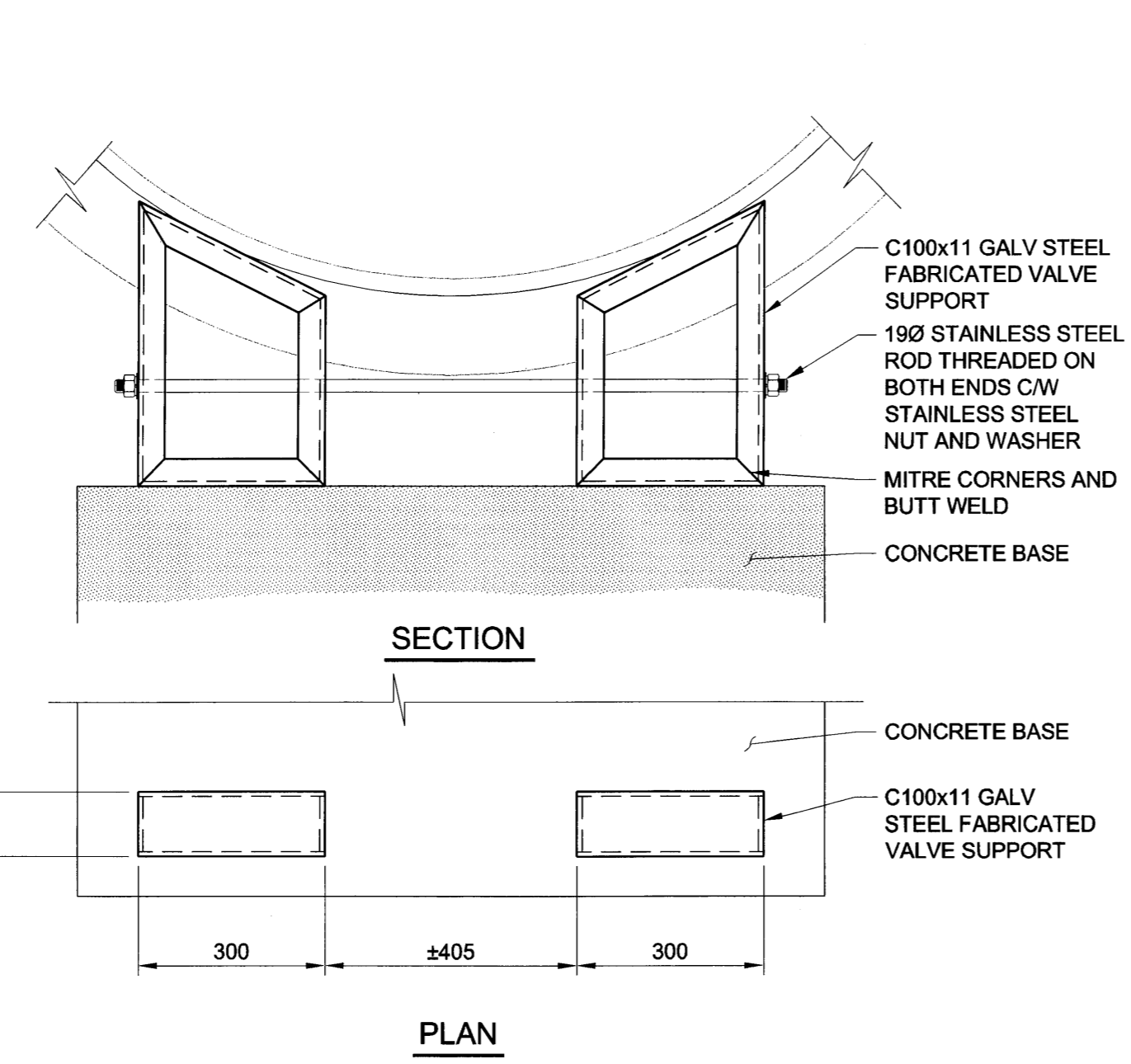
OPPOSITE HAND SIMILAR

DYNIFORM LEDGE ANGLE WITH M-TYPE HOLD DOWN ASSEMBLY L75 x 75 x 8 ANCHORED TO CONCRETE WALL WITH 16Ø x 145 LG SS HILTI KWIK-BOLTS @ 400 OC



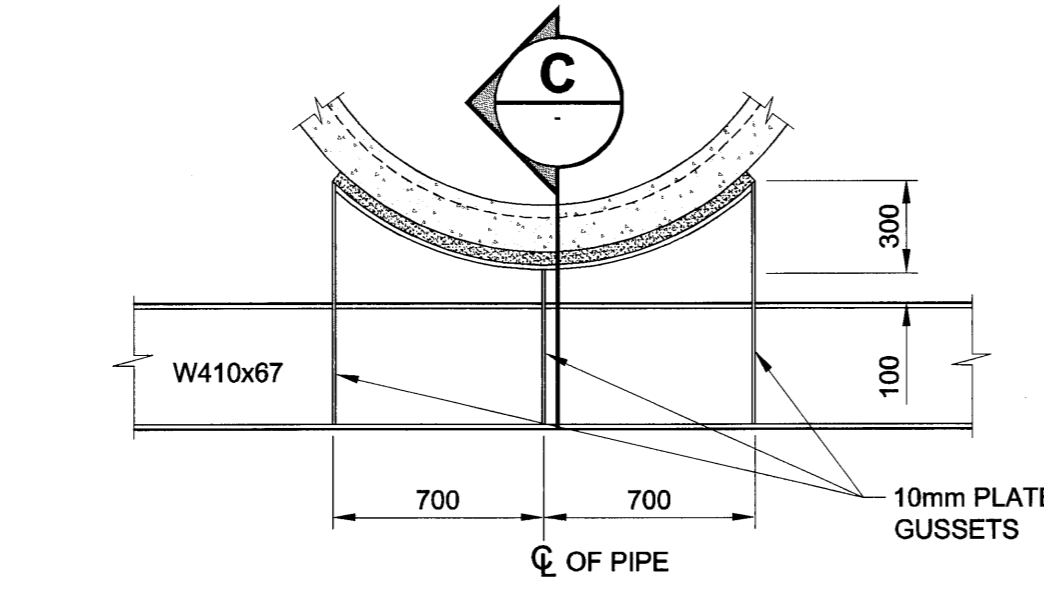
SECTION A

SCALE 1:25



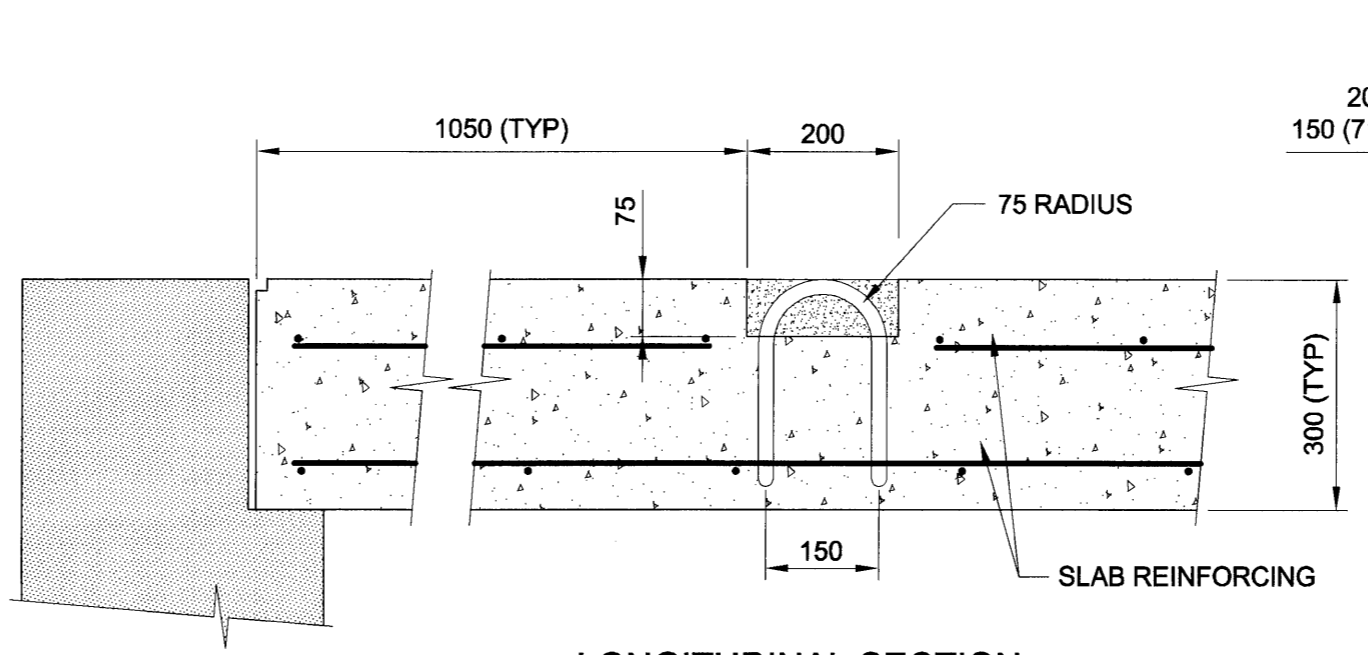
VALVE SUPPORT DETAILS

SCALE 1:10



CRADLE FOR PIPE SUPPORTS

SCALE 1:25



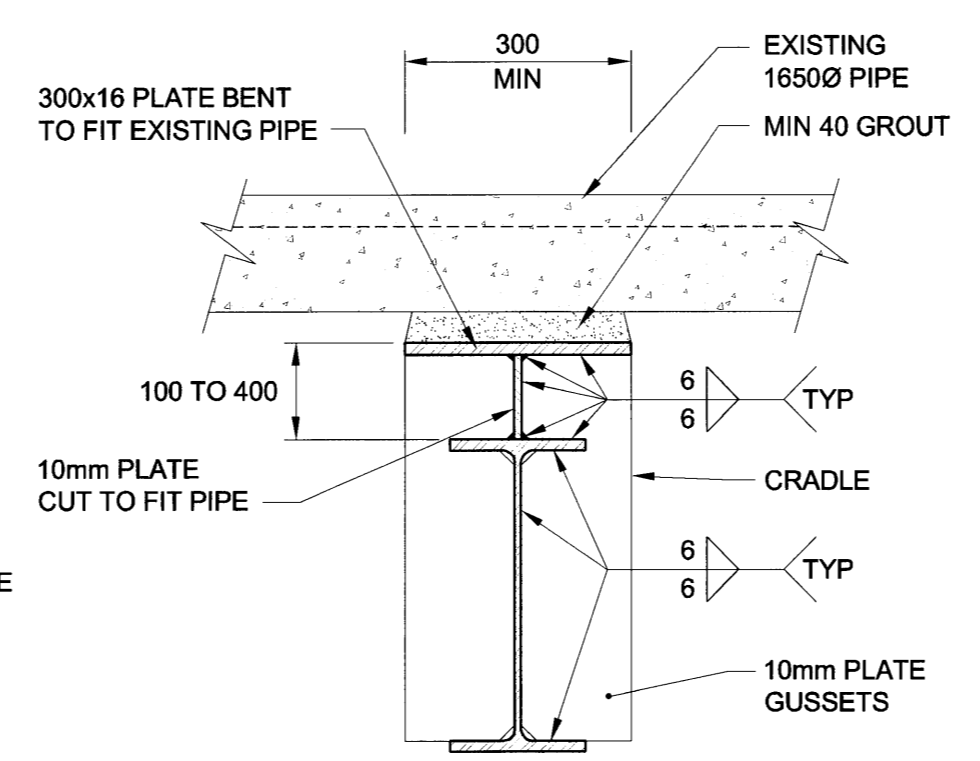
LIFTING LUG DETAILS

SCALE 1:10

FOR REMOVABLE PANELS

REMOVABLE SLAB CAULKING DETAIL

SCALE 1:10



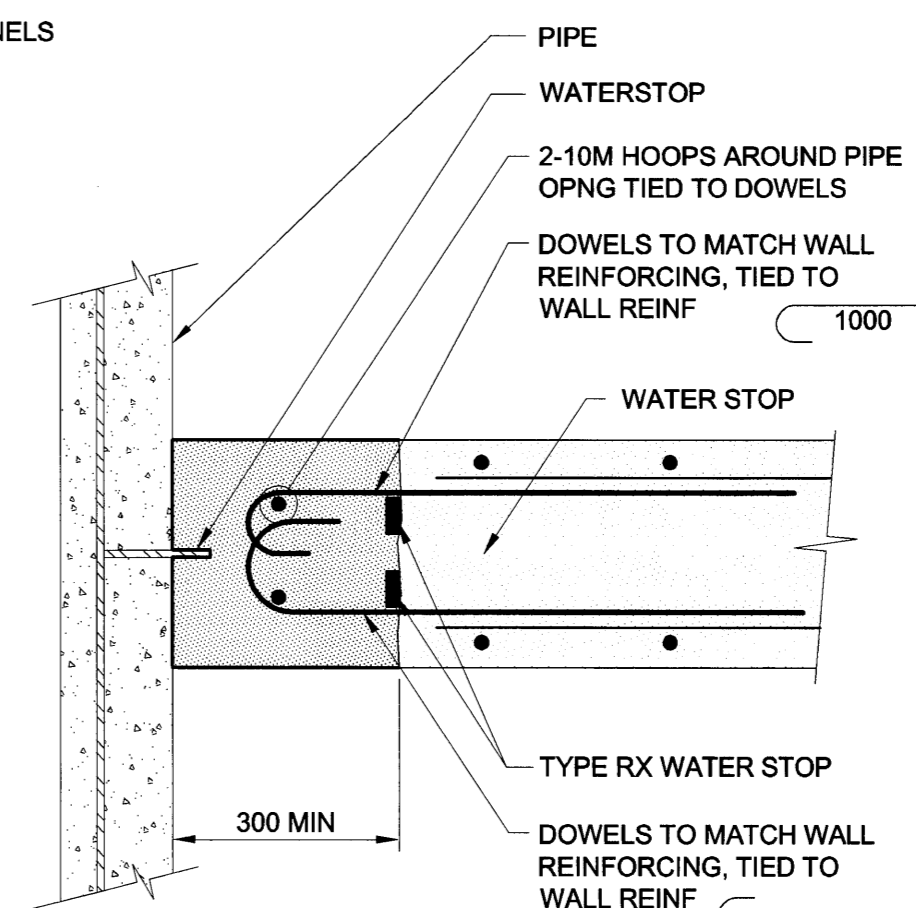
SECTION C

SCALE 1:10

GRATING DETAIL

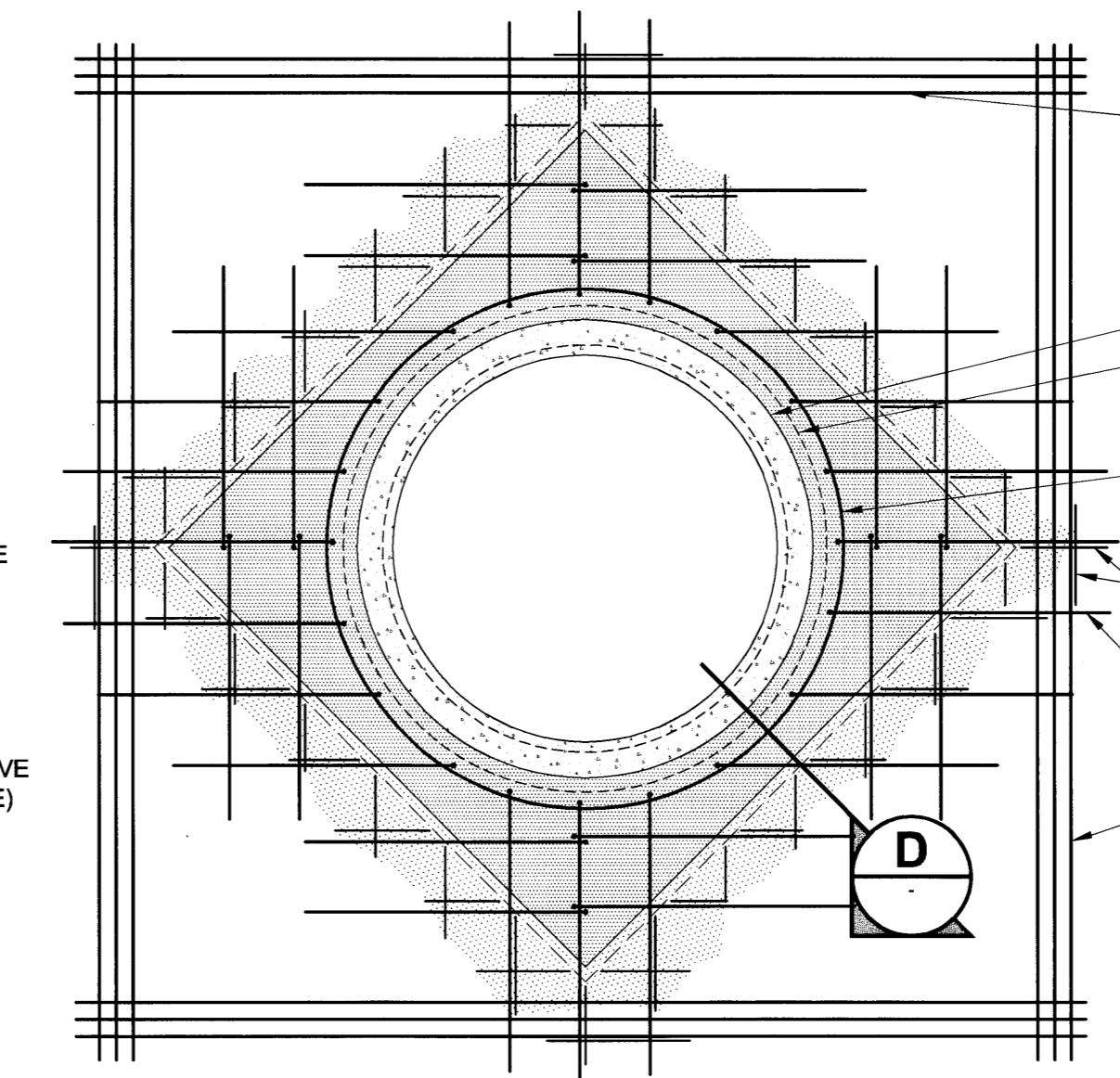
SCALE 1:10

SUMP PIT



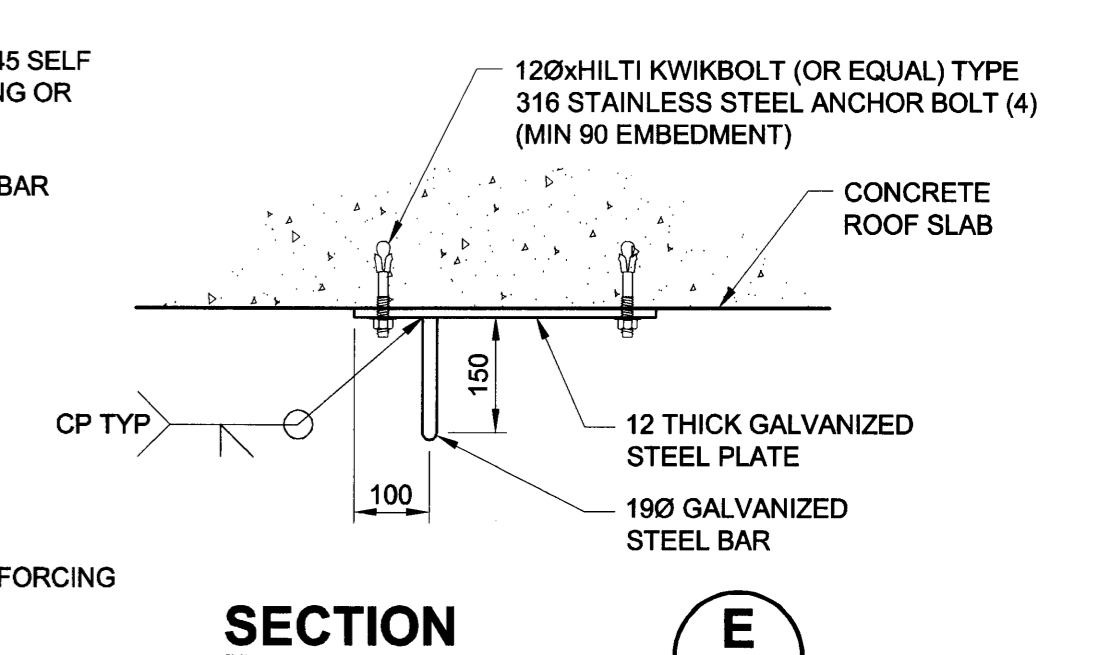
SECTION D

SCALE 1:10



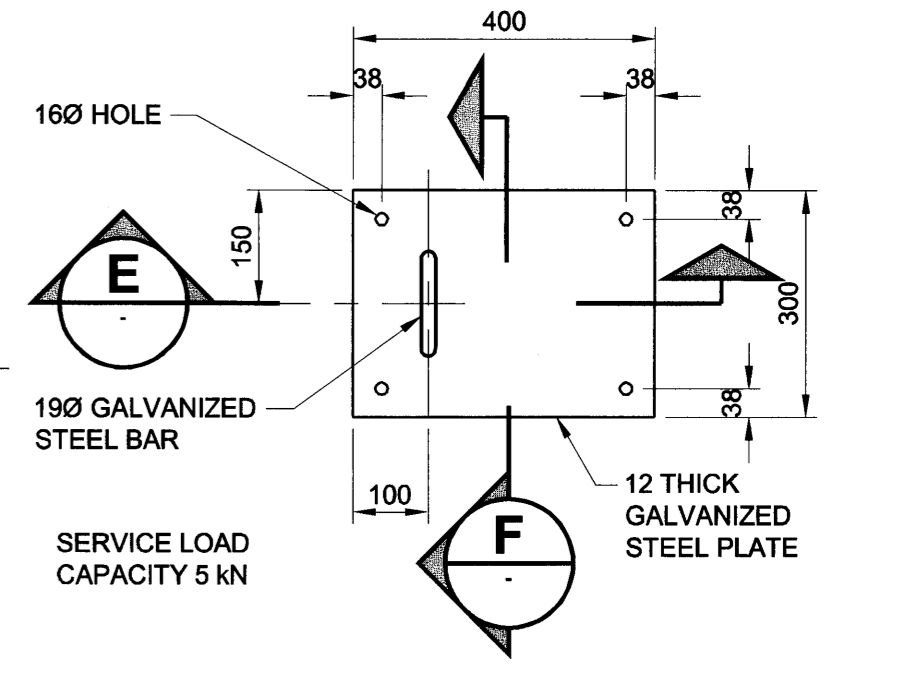
WALL BLOCK OUT FOR PIPE

SCALE 1:25



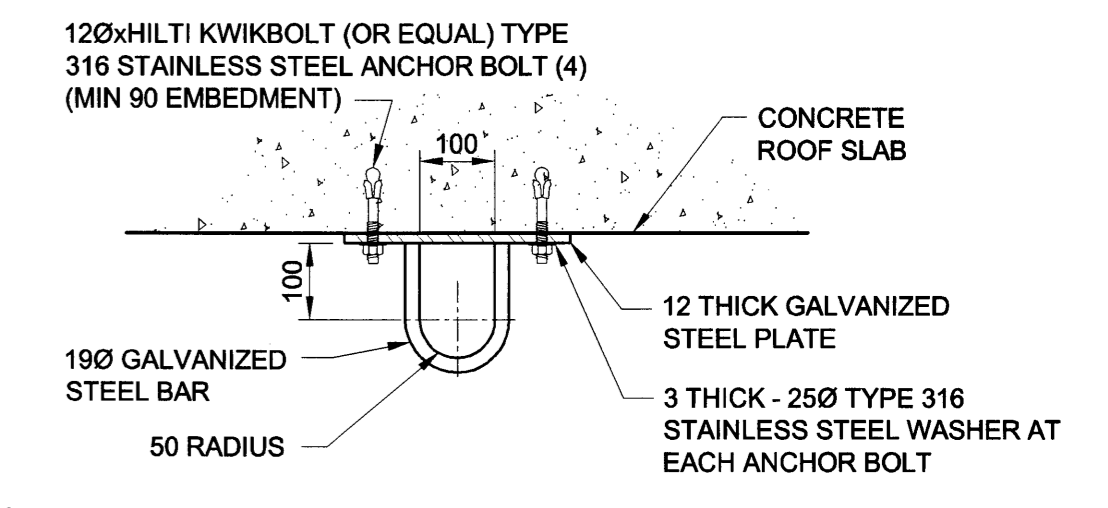
SECTION E

SCALE 1:10



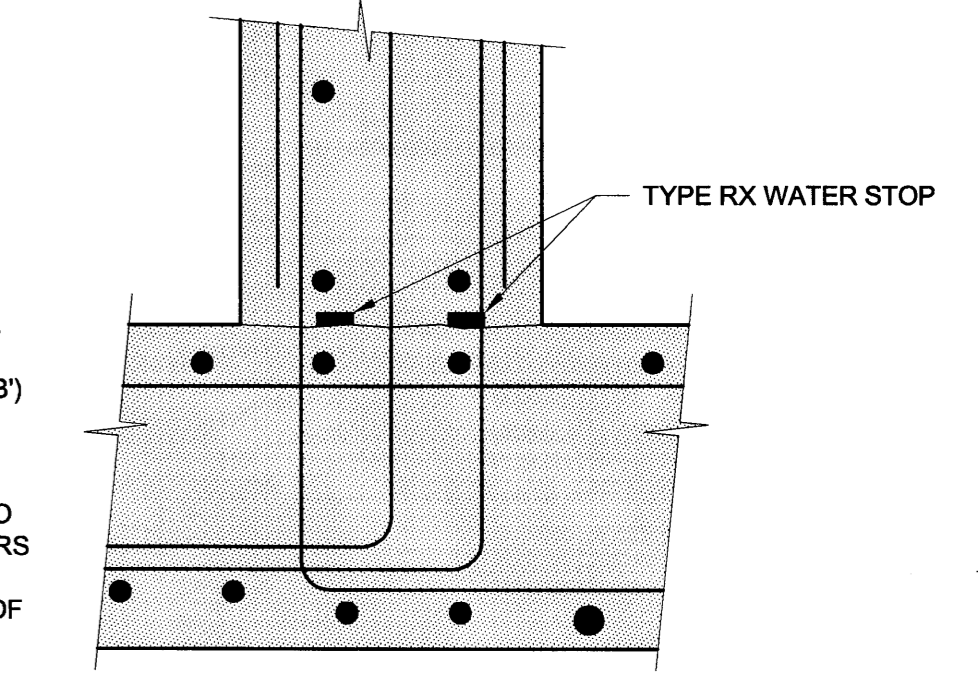
LIFTING HOOK DETAIL

SCALE 1:10



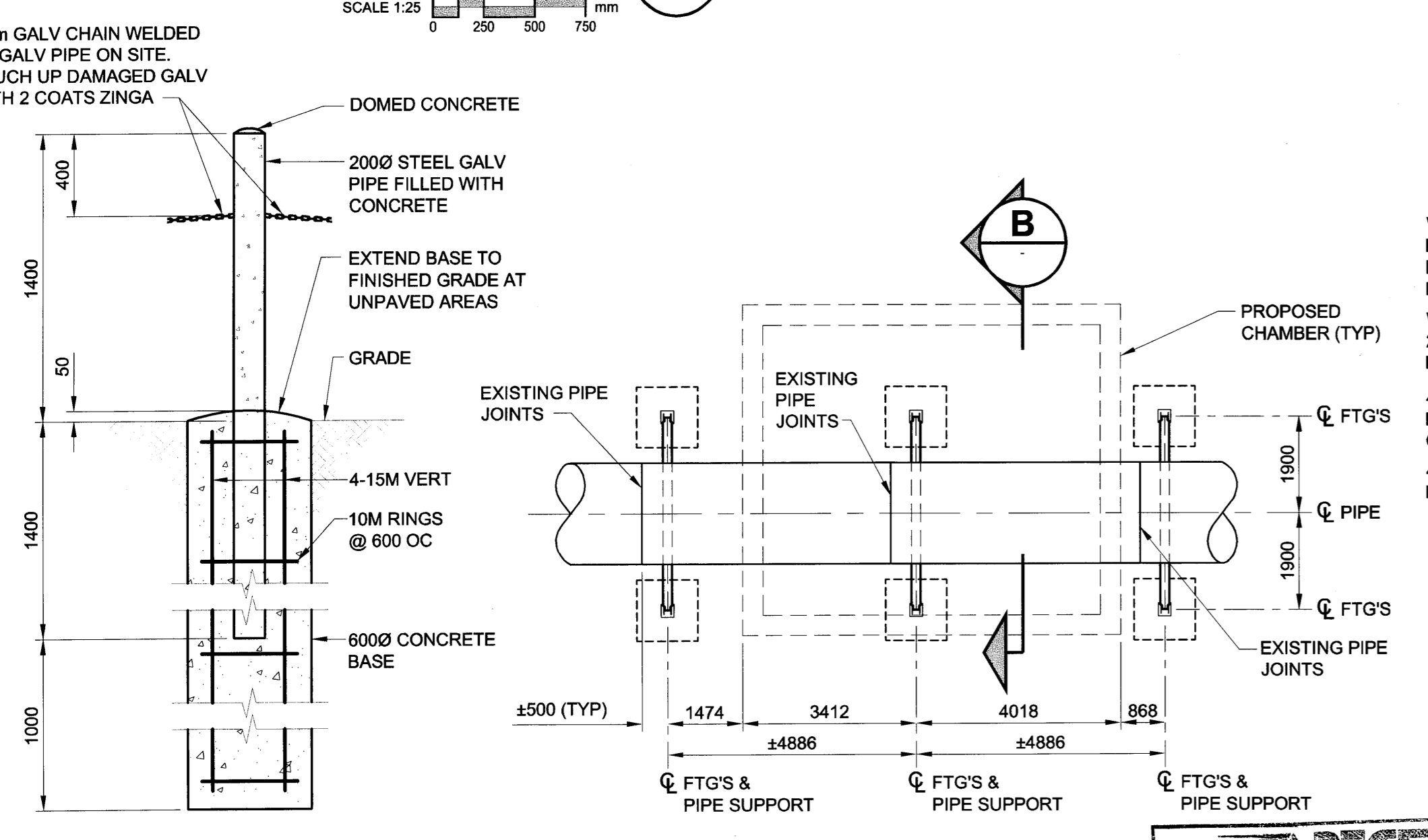
SECTION F

SCALE 1:10



WATERTIGHT CONSTRUCTION JOINT DETAIL

SCALE 1:10



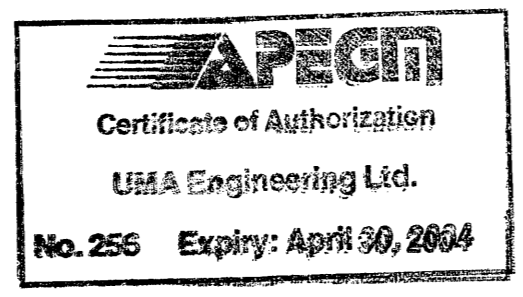
TYPICAL BOLLARD DETAIL

SCALE 1:25

PLAN

SCALE 1:100

TEMPORARY SHORING STRUCTURE



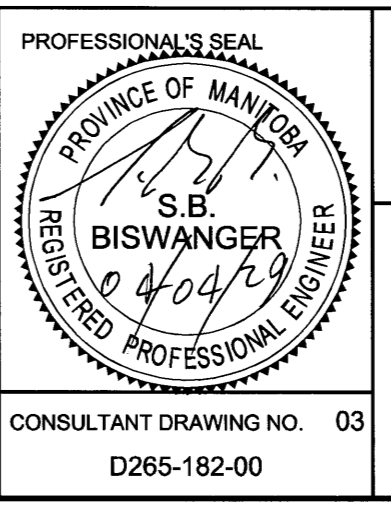
LOCATION APPROVED UNDERGROUND STRUCTURES

SUPR. U/G STRUCTURES COMMITTEE DATE

NOTE: LOCATION OF UNDERGROUND STRUCTURES AS SHOWN ARE BASED ON THE BEST INFORMATION AVAILABLE. BUT NO GUARANTEE IS GIVEN THAT ALL EXISTING UTILITIES ARE SHOWN OR THAT THE GIVEN LOCATIONS ARE EXACT. CONFIRMATION OF EXISTENCE AND EXACT LOCATION OF ALL SERVICES MUST BE OBTAINED FROM THE INDIVIDUAL UTILITIES BEFORE PROCEEDING WITH CONSTRUCTION.

NO.	REVISIONS	YYMMDD	BY

UMA www.umagroup.com 2003 UMA ENGINEERING LTD. ALL RIGHTS RESERVED.	
DESIGNED BY: SBB	CHECKED BY: [Signature]
DRAWN BY: CGC	APPROVED BY: [Signature]
HOR. SCALE: AS NOTED	RELEASED FOR CONSTRUCTION: [Signature]
VERT. SCALE: AS NOTED	DATE: 02/02/2004



THE CITY OF WINNIPEG WATER AND WASTE DEPARTMENT

BRANCH II AQUEDUCT INTERCONNECTOR - VALVE CHAMBER

VALVE CHAMBER STRUCTURAL SECTIONS, DETAILS & TEMPORARY SHORING

SHEET 3 OF 3
CITY DRAWING NUMBER
D-8555
REV

BID OPPORTUNITY NO. 215-2004