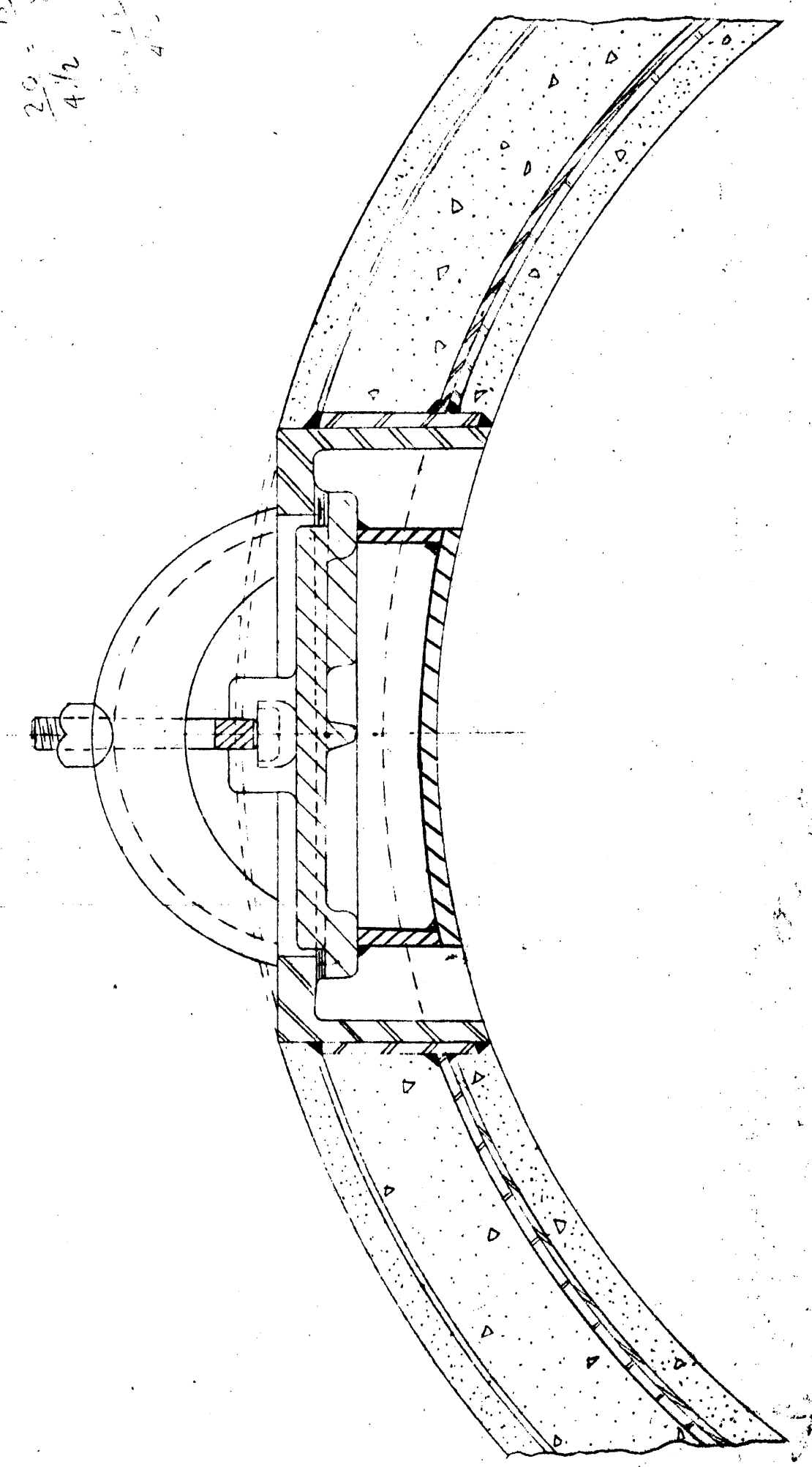
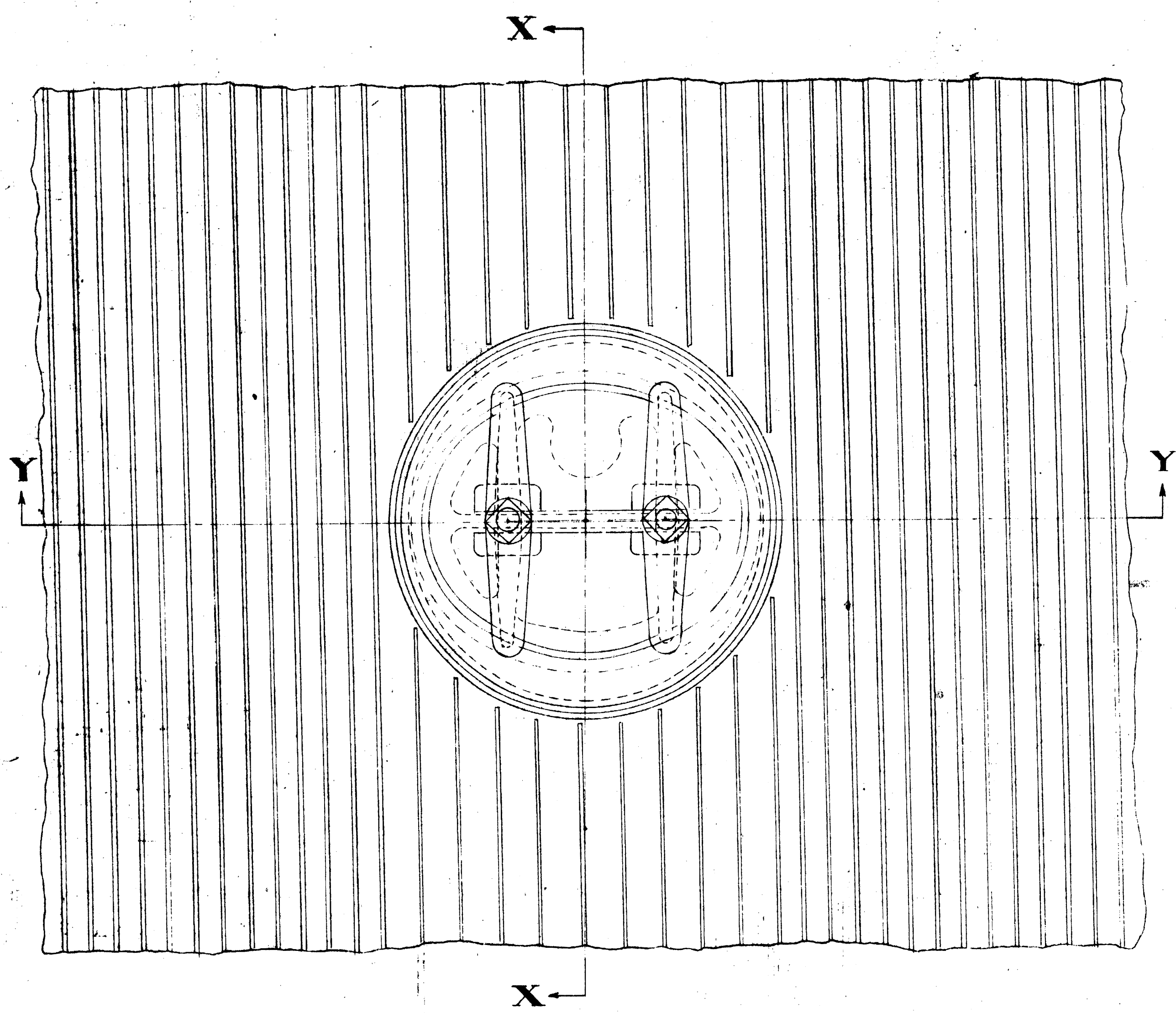
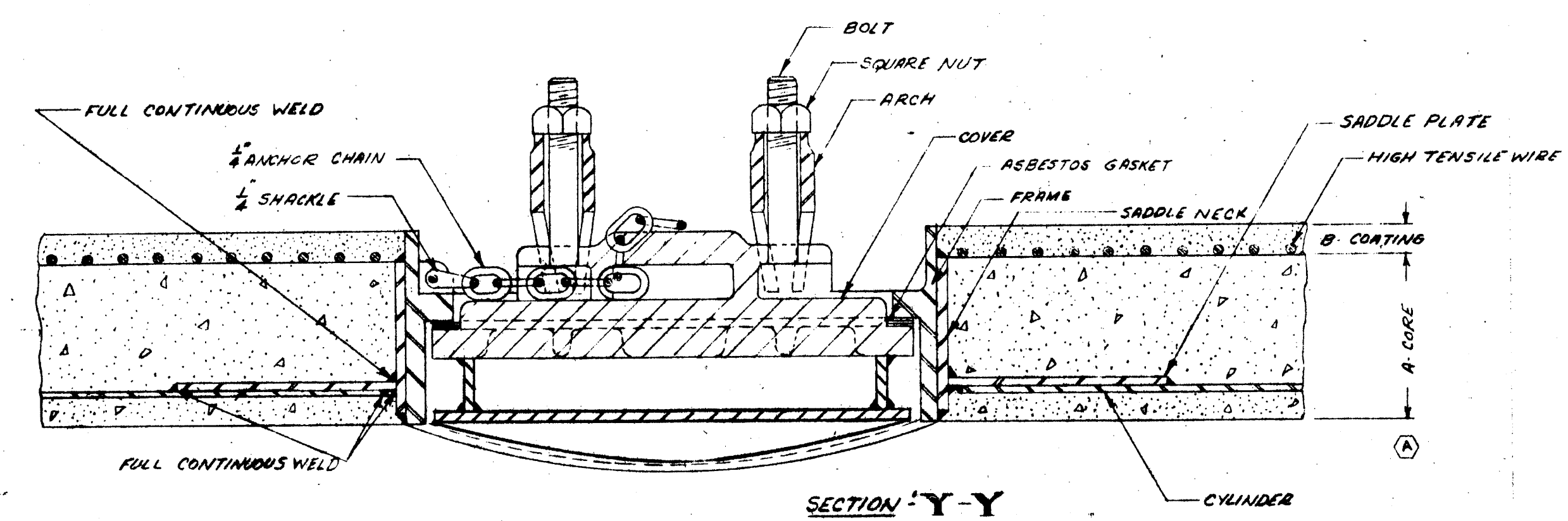


D SIZE 22" x 34" (559mm x 864mm)

UMA FILE NAME: OVERALL\_RX.DWG 2004-04-23 1:27pm Wjd



SECTION X-X



SECTION Y-Y

PRINTED  
APR 3 1959

GREATER WINNIPEG WATER DISTRICT  
APPROVED, APR 7 1959  
*No. [Signature]*  
General Manager and Chief Engineer

**LOCK JOINT PIPE COMPANY**  
150 RUTLEDGE AVE. EAST ORANGE, N. J.  
**TYPICAL MANHOLE ASSEMBLY  
IN PRESTRESSED CONCRETE  
EMBEDDED CYLINDER PIPE**

SCALE:	DRAWING NUMBER	REV.
DR. WJM 3-3-54	APP. WJP 3-12-54	E-2-85TWIN
CHG. S. 3-12-54	APP.	SHEET 2 of 2

*duplicate*

REVISION	DESCRIPTION	REV.	DATE
B	REDRAWN - W.A. 5-27-59. CH. S.S. 5-29-59		
A	EXTENDED CASTING D.J. 4-25-57		
A	REMOVED 42" DIA. W.W. 3-12-54		

FOR DETAILS SEE SPECIFICATION SHEET NO.

MICROFILMED MAR 3 1980

F-876

BID OPPORTUNITY 215-2004

LOCATION APPROVED  
UNDERGROUND STRUCTURES

SUPR. U/G STRUCTURES COMMITTEE DATE

NOTE:  
LOCATION OF UNDERGROUND STRUCTURES AS SHOWN ARE BASED ON THE BEST INFORMATION AVAILABLE. BUT NO GUARANTEE IS GIVEN THAT ALL EXISTING UTILITIES ARE SHOWN OR THAT THE GIVEN LOCATIONS ARE EXACT. CONFIRMATION OF EXISTENCE AND EXACT LOCATION OF ALL SERVICES MUST BE OBTAINED FROM THE INDIVIDUAL UTILITIES BEFORE PROCEEDING WITH CONSTRUCTION.

NO.	REVISIONS	YYMMDD	BY

**uma**  
www.umagroup.com  
2004 UMA ENGINEERING LTD. ALL RIGHTS RESERVED.

DESIGNED BY	MGM	CHECKED BY	
DRAWN BY	WJd	APPROVED BY	
HOR. SCALE	1:500	RELEASED FOR CONSTRUCTION	
VERT. SCALE	1:50	DATE	

PROFESSIONAL'S SEAL

CONSULTANT DRAWING NO.  
D265-182-00

**THE CITY OF WINNIPEG**

Winnipeg

**BRANCH II AQUEDUCT  
INTERCONNECTOR - VALVE CHAMBER**

HISTORICAL DRAWING  
(FOR INFORMATION ONLY)

SHEET OF

CITY DRAWING NUMBER

F-876