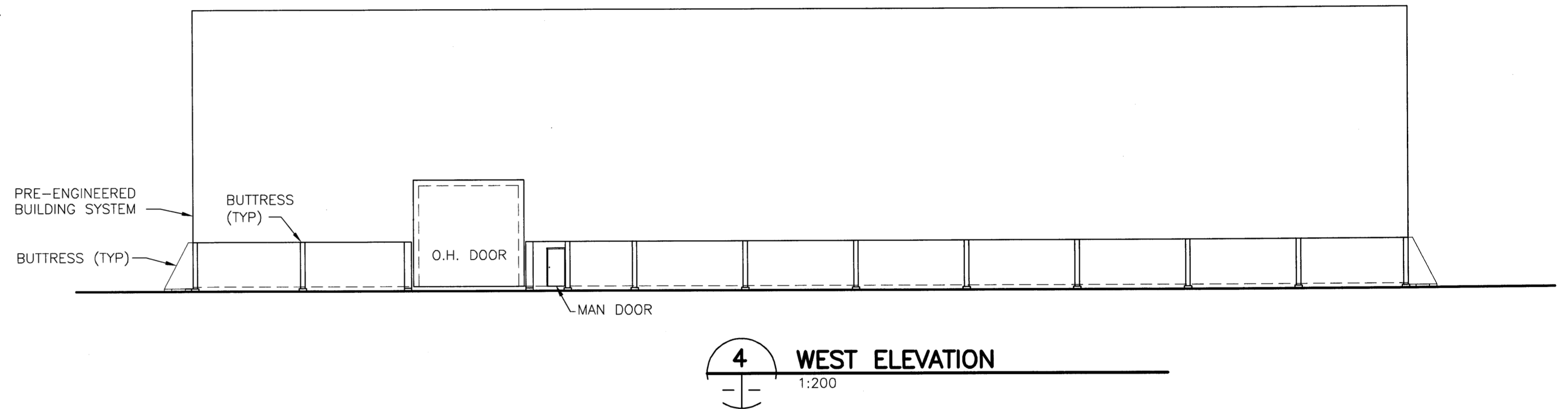
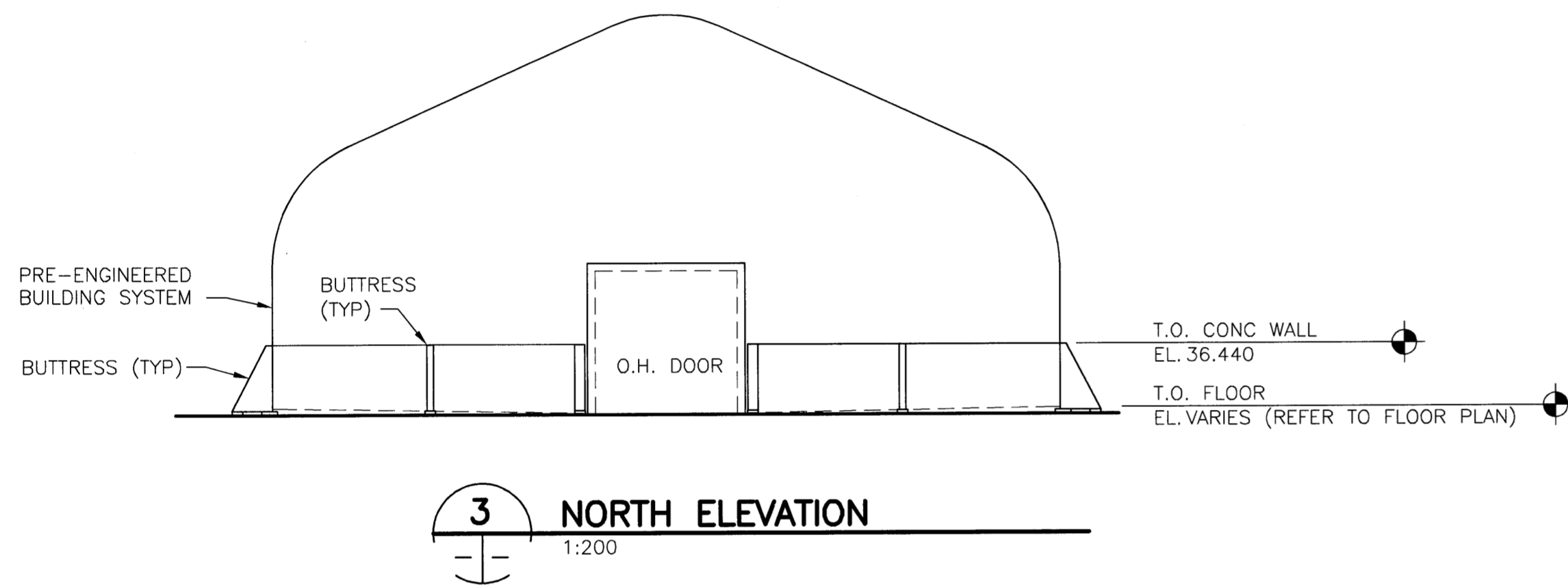
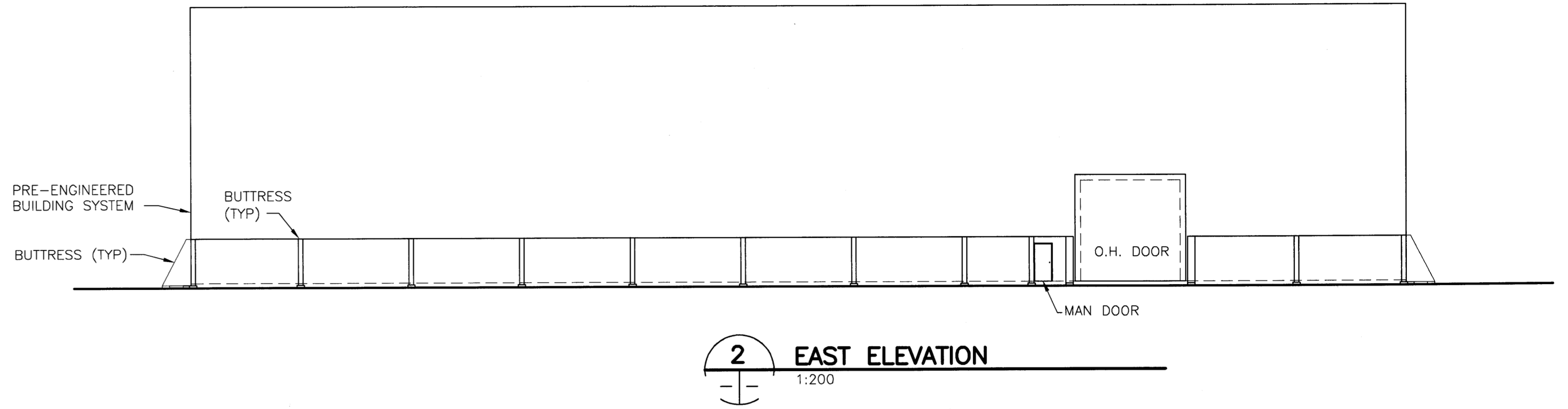
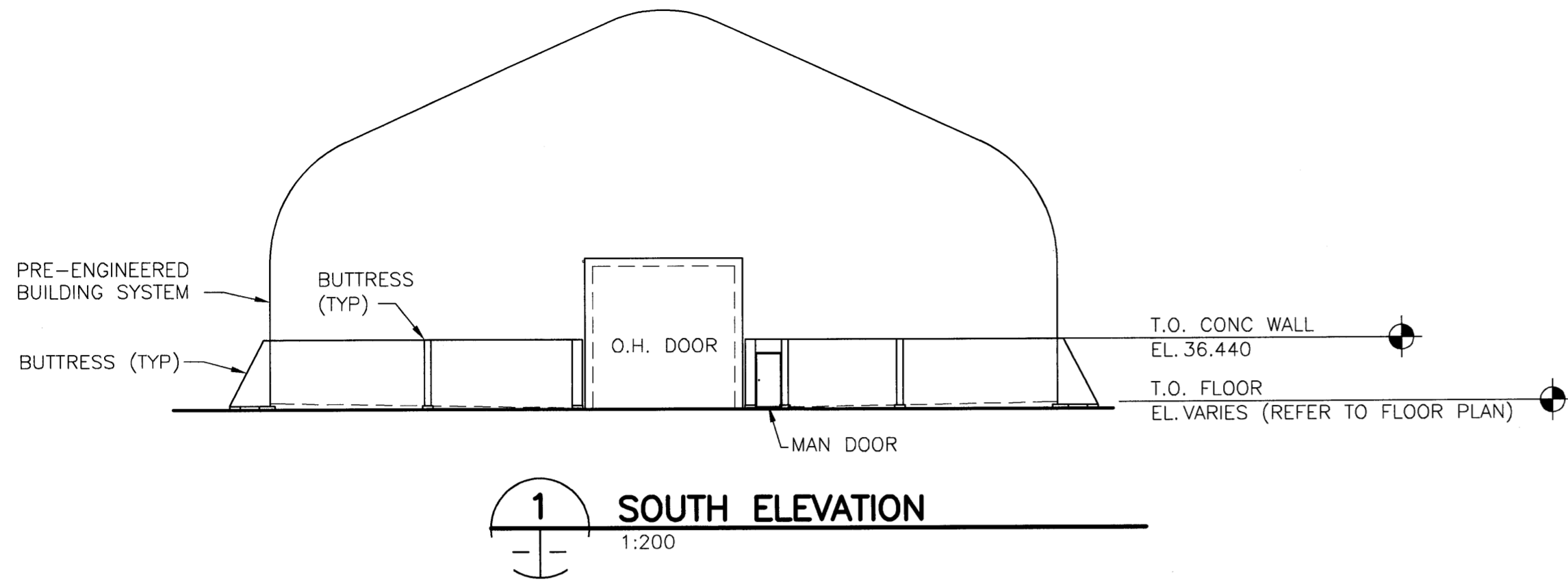
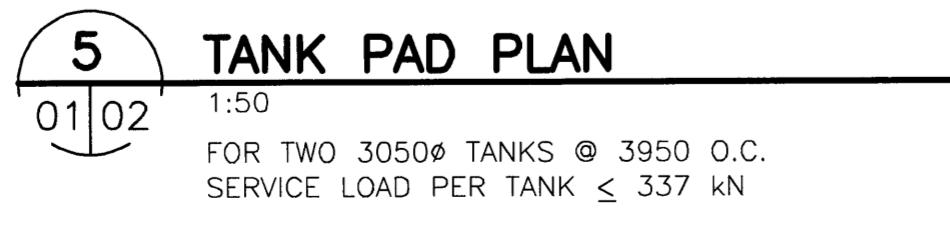
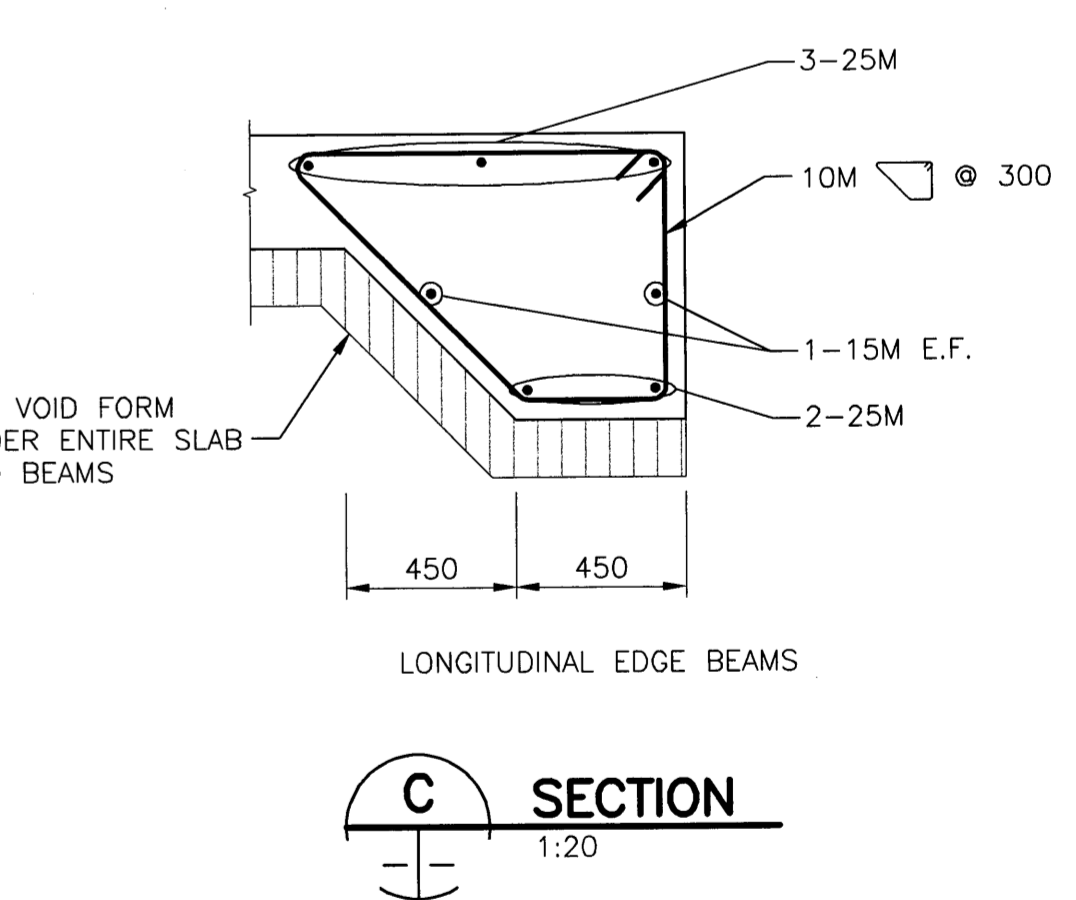
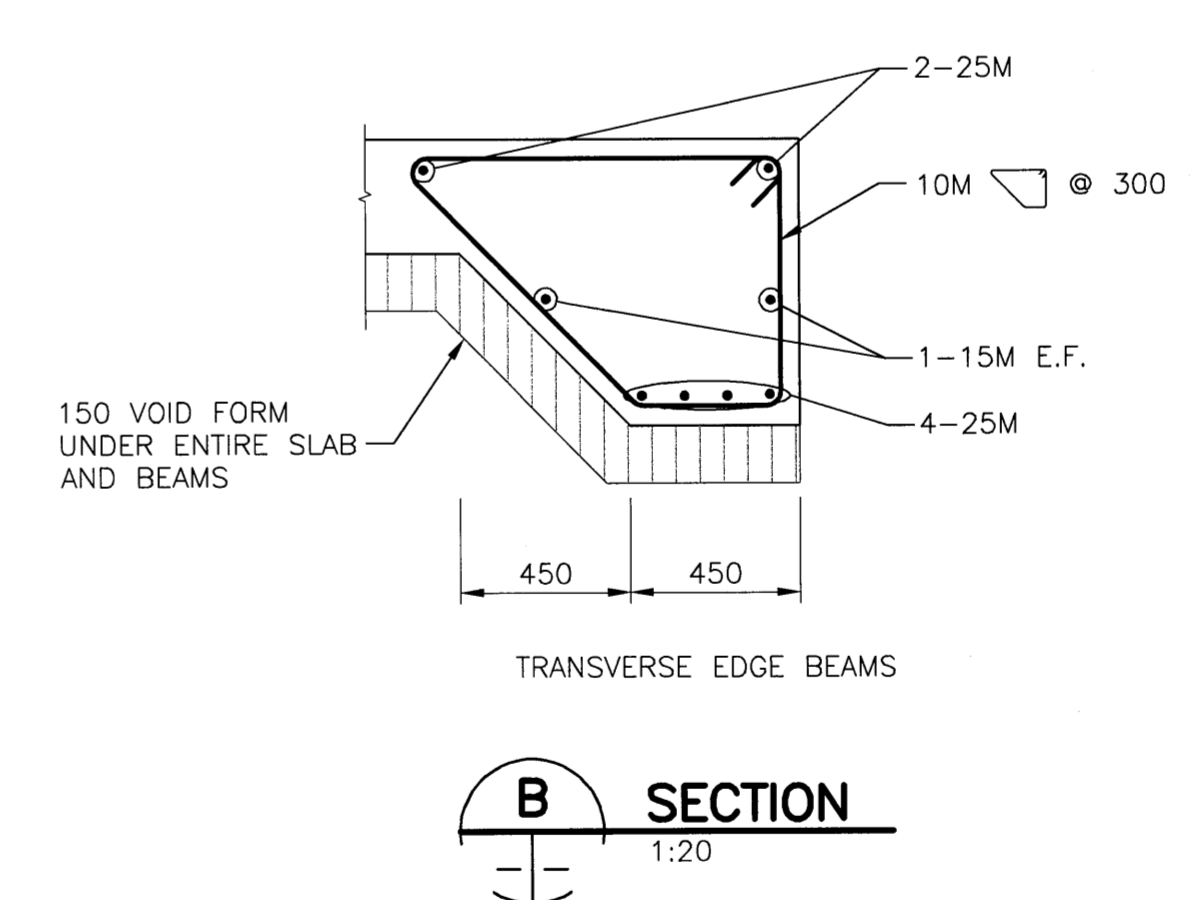
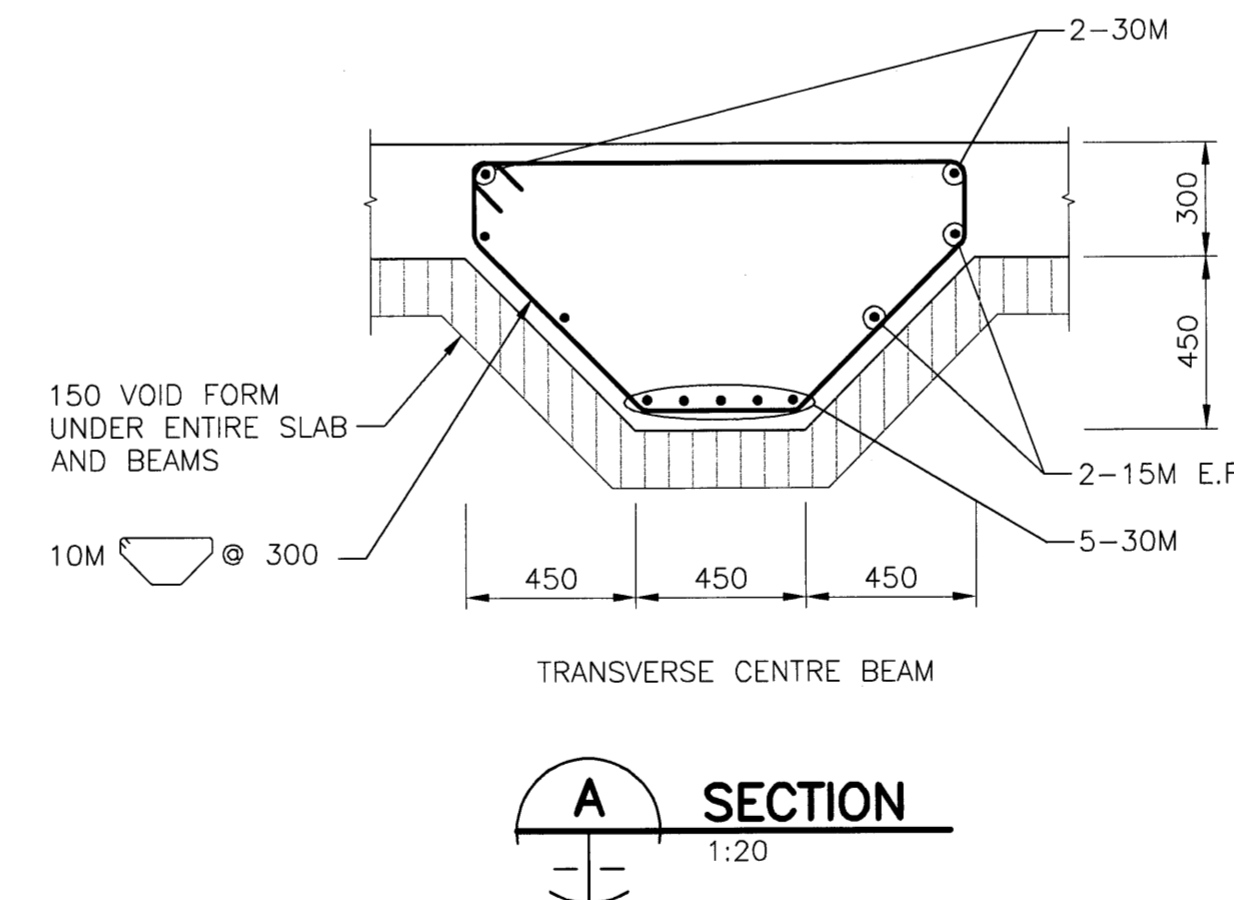
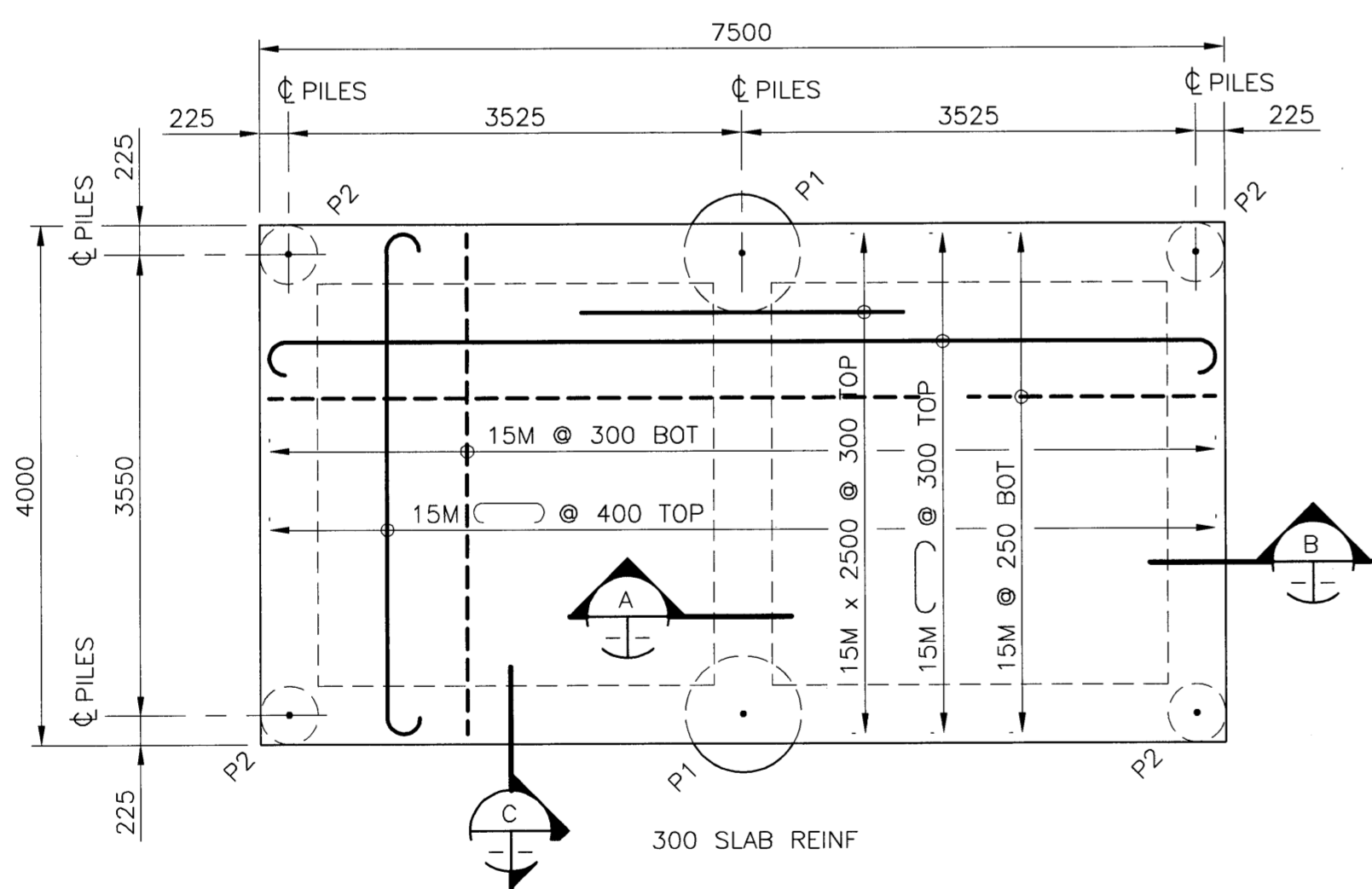


PLOT SCALE = 1:1 AutoCAD 15.06 P:\0265\366-00\ALD\Sand Salt Facility 1539 Waverley.dwg Structural\AS-Bldg Elevations.dwg 2004-05-25 10:34am CGC



PILE LEGEND

- P1 = 900ø x 13000 LONG, 8-25M VERT (FULL LENGTH, 4-20M x 1400 (700 INTO PILE) DOWELS TO GRADE BEAM, 10M Ø 2 @ 150 TOP, REM @ 1000 O.C.
- P2 = 450ø x 13000 LONG, 4-15M VERT (FULL LENGTH AND UP TO TOP OF GRADE BEAM, 10M Ø 2 @ 150 TOP, REM @ 1000 O.C.



LOCATION APPROVED UNDERGROUND STRUCTURES		B.M. ELEV.
SUPR. U/O STRUCTURES COMMITTEE	DATE	
NOTE: LOCATION OF UNDERGROUND STRUCTURES AS SHOWN ARE BASED ON THE BEST INFORMATION AVAILABLE. BUT NO GUARANTEE IS GIVEN THAT THE GIVEN LOCATIONS ARE EXACT. CONFIRMATION OF EXISTENCE AND EXACT LOCATION OF ALL SERVICES MUST BE OBTAINED FROM THE INDIVIDUAL UTILITIES BEFORE PROCEEDING WITH CONSTRUCTION.		
NO.	REVISIONS	DATE BY
1	ISSUED FOR BID	04May25 CGC
0	ISSUED FOR REVIEW	04May04 CGC

UMA UMA Engineering Ltd.	
• Consulting • Engineering • Construction • Management Services	
DESIGNED BY: SBB	CHECKED BY: [Signature]
DRAWN BY: CGC	APPROVED BY: [Signature]
HOR. SCALE: AS NOTED	RELEASED FOR CONSTRUCTION
VERTICAL: N/A	DATE
Y/M/D: 04/03/22	

ENGINEER'S SEAL

 CONSULTANT DRAWING NO. 41-09-0265-366-00

METRIC
 WHOLE NUMBERS INDICATE MILLIMETRES
 DECIMALIZED NUMBERS INDICATE METRES

THE CITY OF WINNIPEG
 PUBLIC WORKS DEPARTMENT
 ENGINEERING DIVISION

SAND/SALT STORAGE FACILITY
 PUBLIC WORKS YARD
 1539 WAVERLEY STREET

STRUCTURAL
 BUILDING ELEVATIONS, PLAN & SECTIONS

BID OPPORTUNITY No 229-2004

CITY DRAWING NUMBER N/A
 SHEET 2 OF 4
02 1