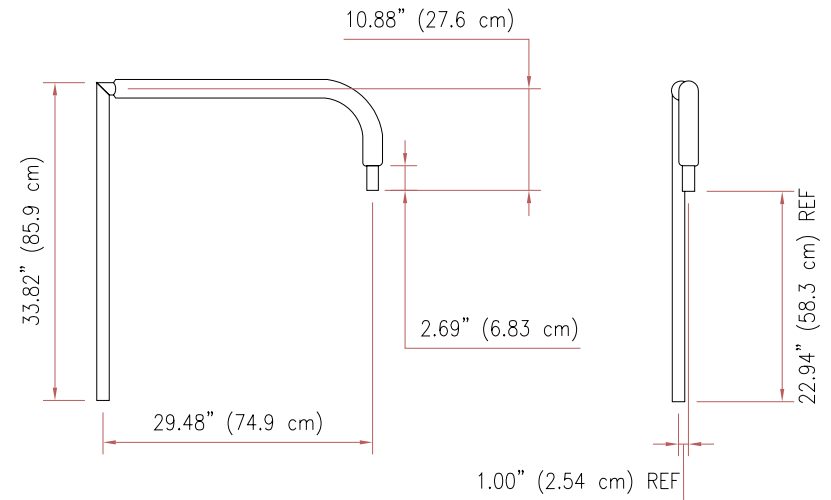
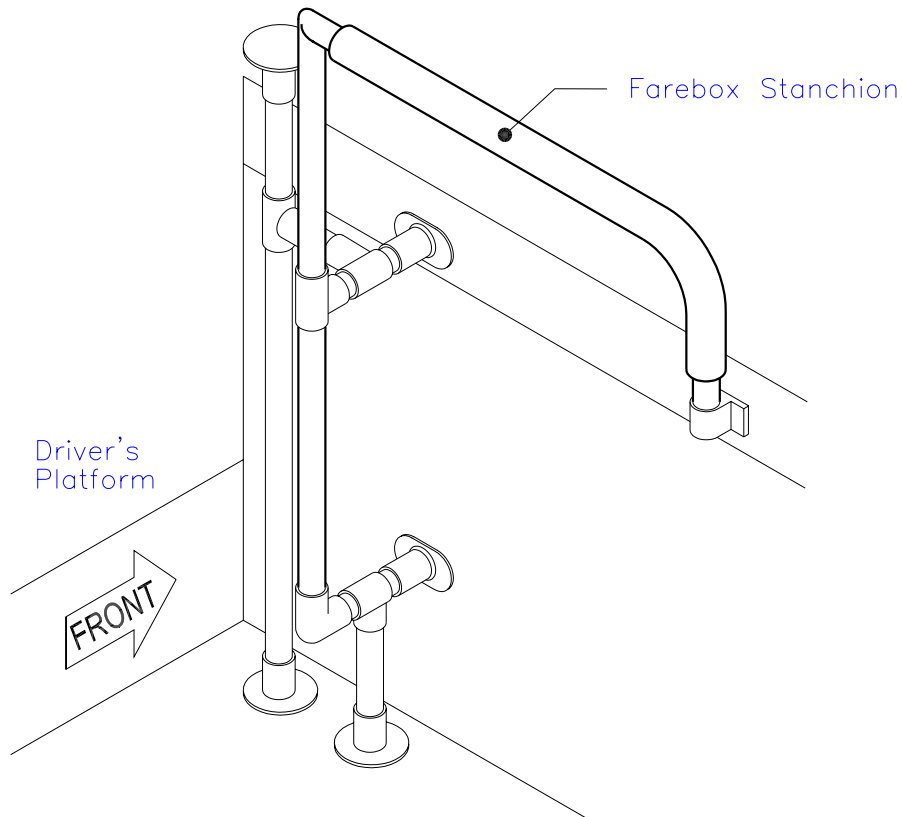




ITEM	NAME	DESCRIPTION	QTY
01	FAREBOX STANCHION	WELDED TUBE & BLACK PADDING	1



1
S-1

DETAIL: ITEM 01
SCALE: 3" = 1'-0"



REV	DESCRIPTION	DATE
	City of Winnipeg Transit Department	24-2004-005
	SCALE N.T.S.	
	DRAWN BY TVD	DRAWING NO.
	Bus Tender 24-2004	
	Farebox Stanchion	
	DATE 2003.01.21	SHEET NO. 05/05

CATEGORY

DRAWING TITLE