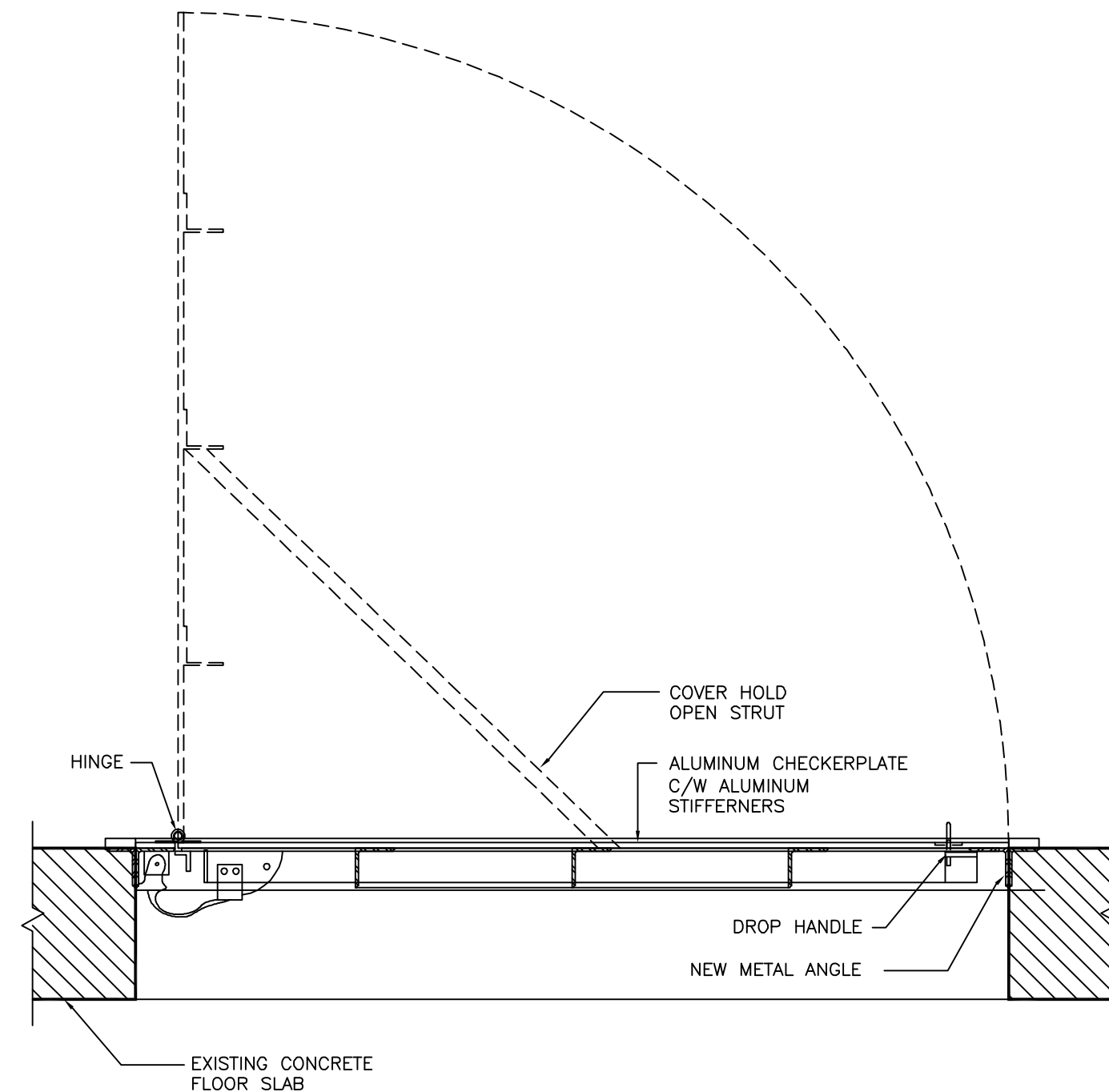


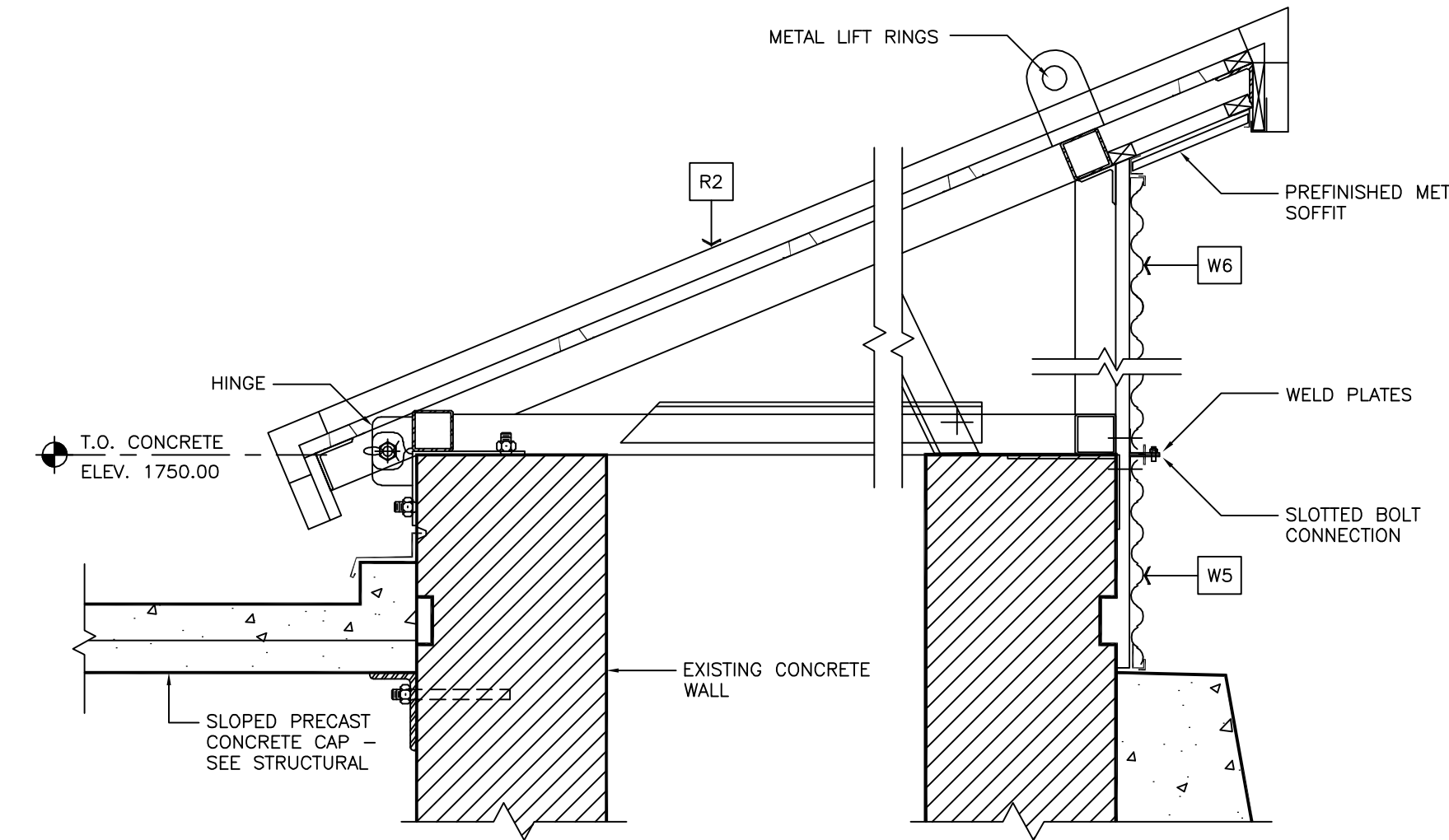
PIT COVER PLAN

SCALE 1:20



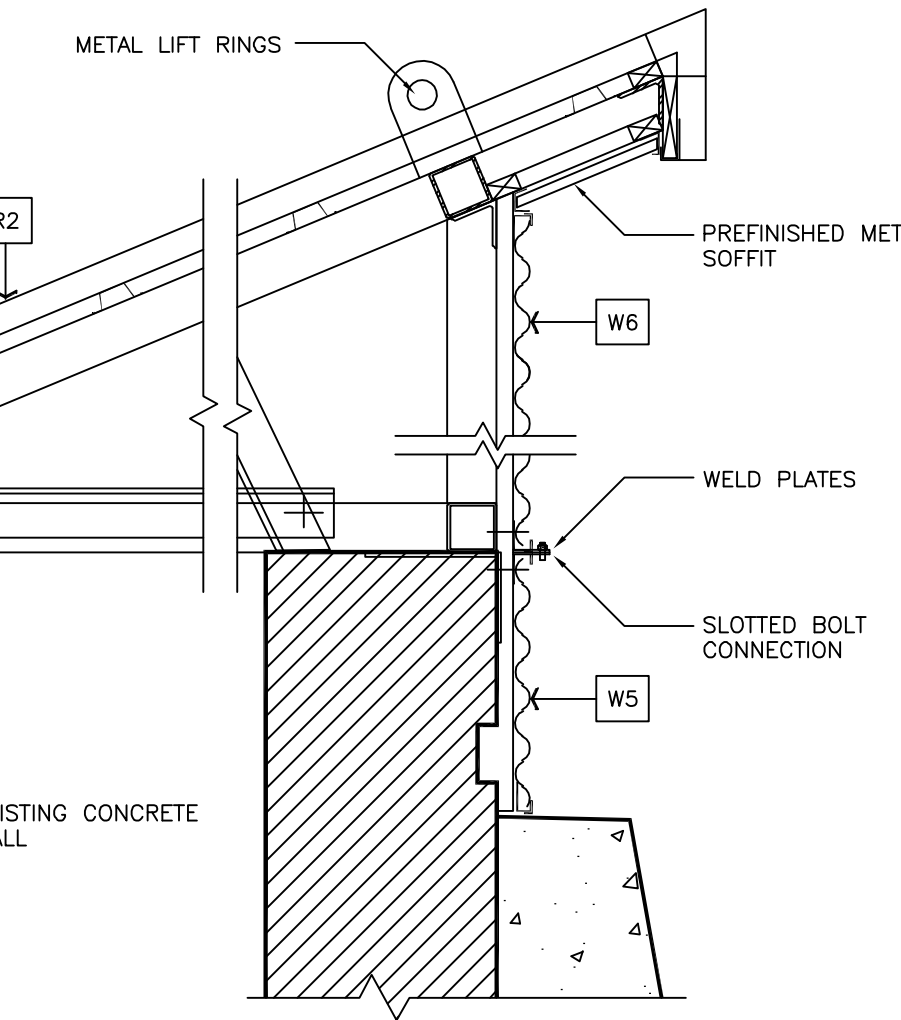
PIT COVER SECTION

SCALE 1:10



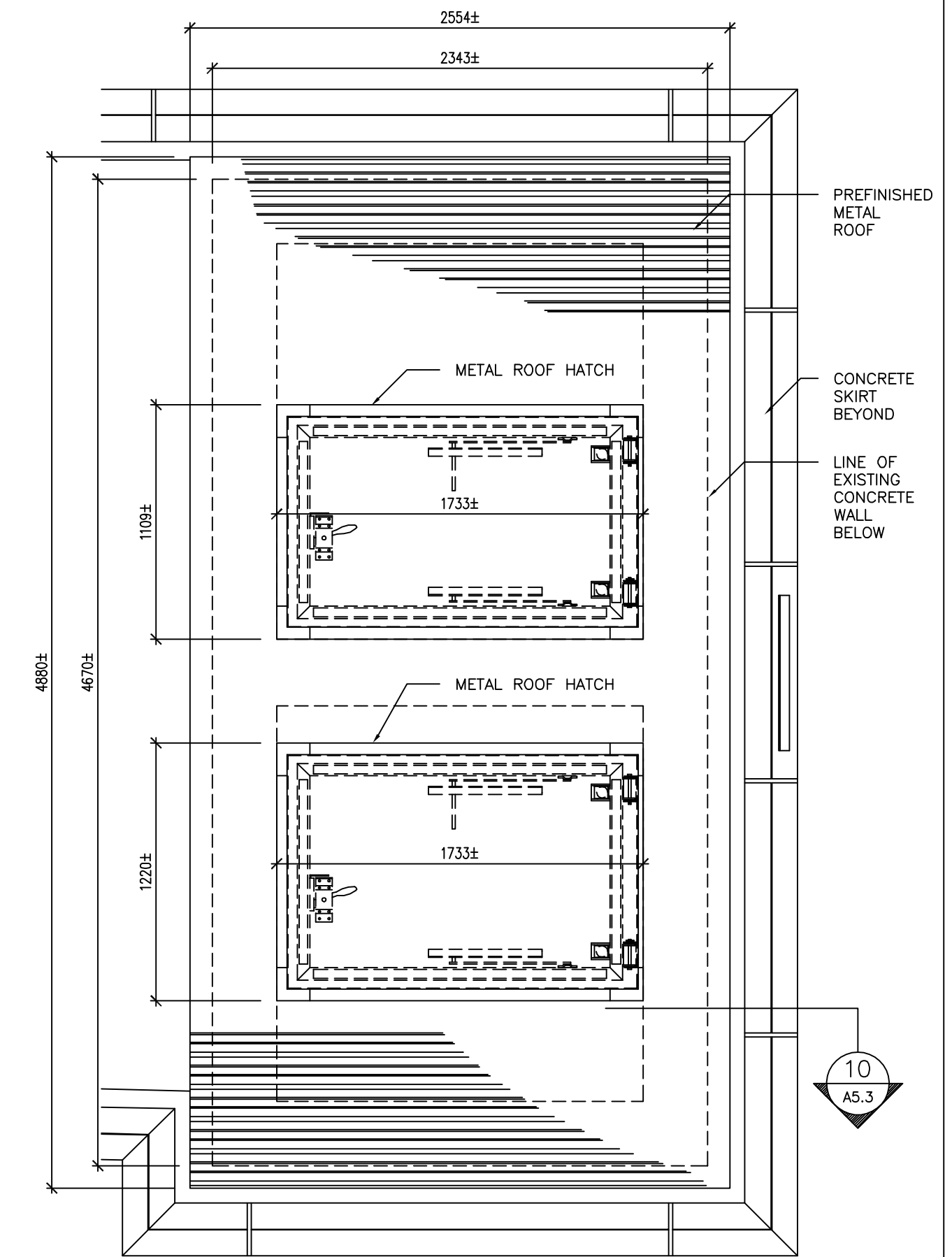
ROOF SECTION DETAIL

SCALE 1:10



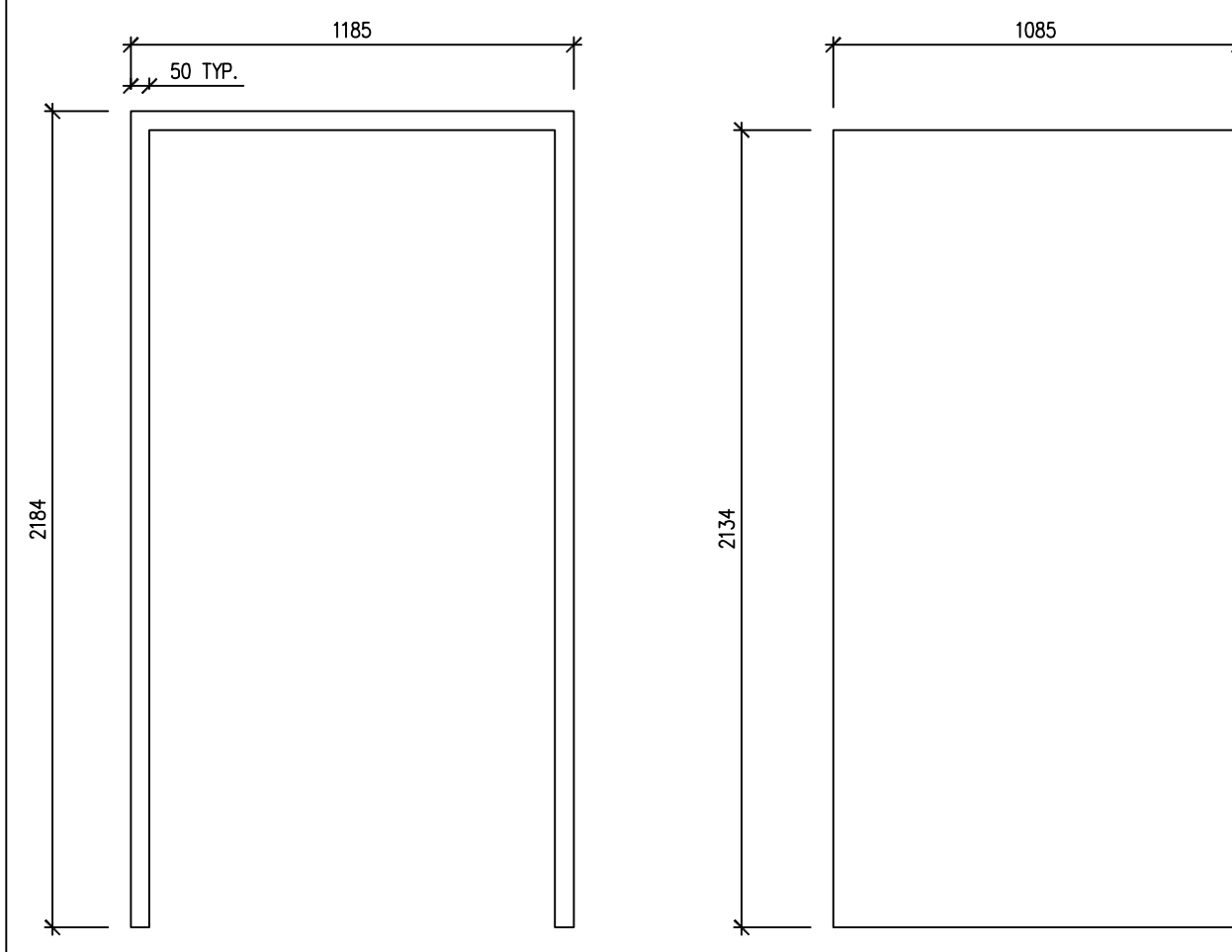
ROOF SECTION DETAIL

SCALE 1:10



ALTERNATE DISCHARGE ROOF PLAN

SCALE 1:25

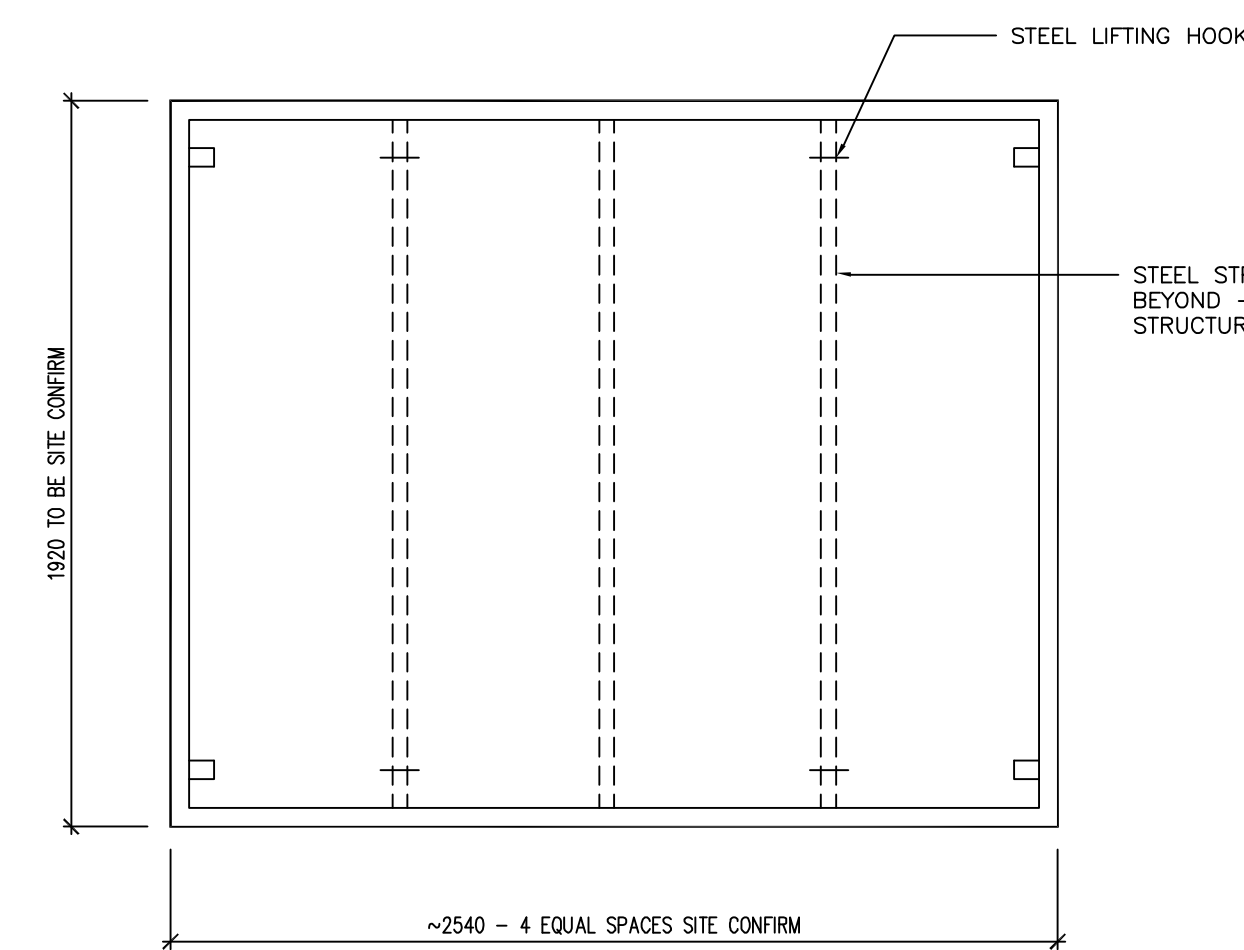


FRAME TYPE 1

DOOR TYPE A

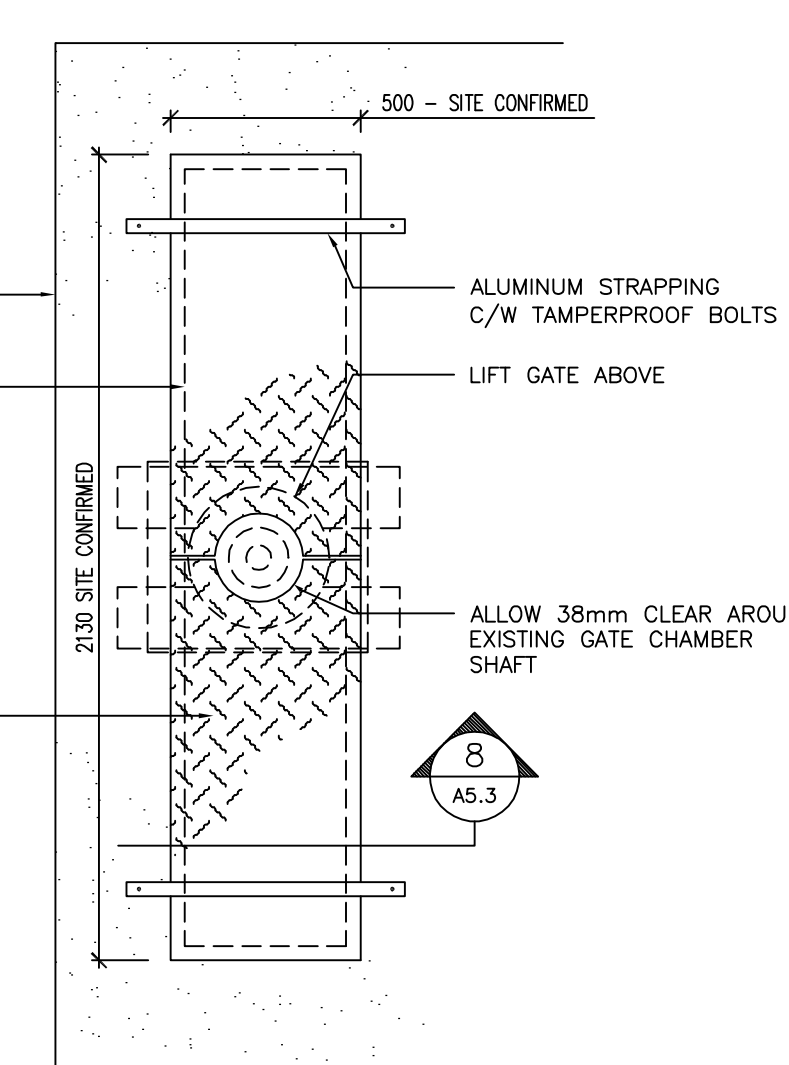
DOOR No.	DOOR			FRAME			FIRE RATING	REMARKS			
	WIDTH	HEIGHT	THICK.	TYPE	MAT.	FIN.			TYPE	MAT.	FIN.
D101	1085	2134	45	A	HM	P	1	HM	P	-	INSUL. DOOR & FRAME

NOTE: ALL DIMENSIONS ARE IN MILLIMETERS



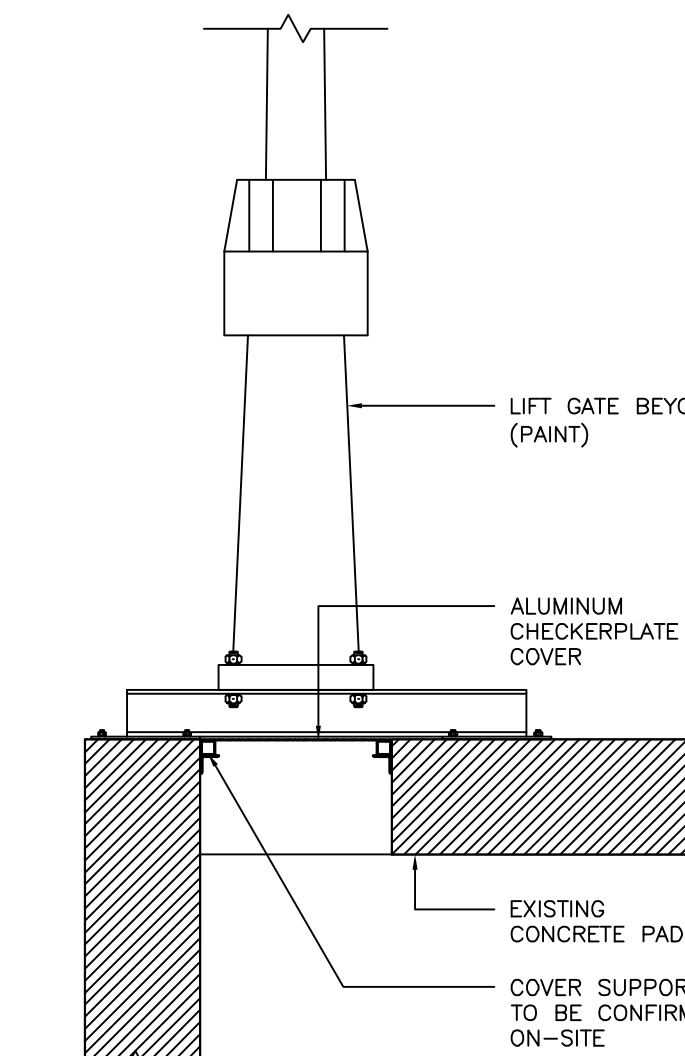
ROOF HATCH PLAN

SCALE 1:20



COVER PLAN

SCALE 1:20

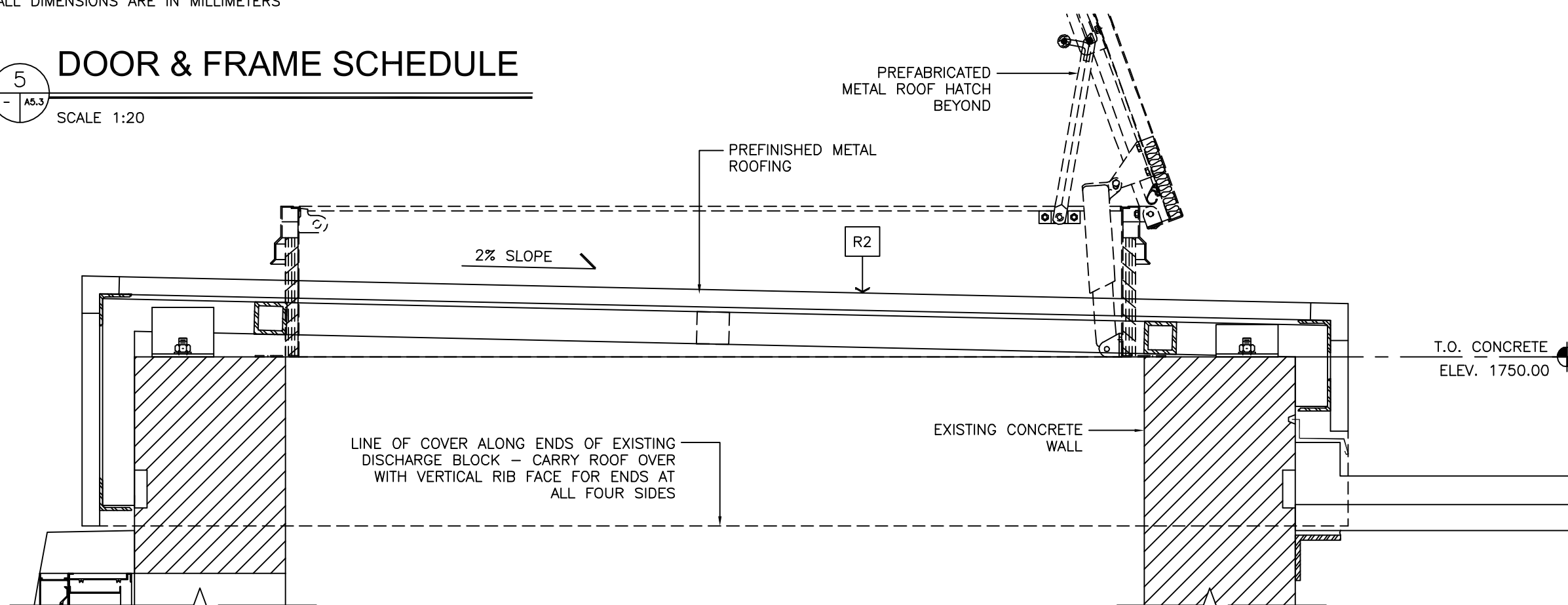


COVER SECTION

SCALE 1:20

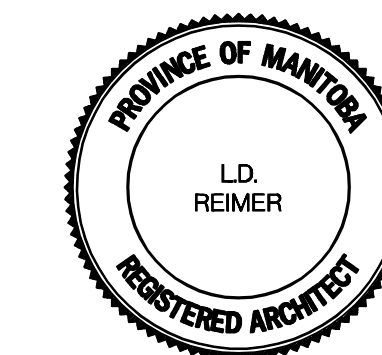
DOOR & FRAME SCHEDULE

SCALE 1:20



ALTERNATE DISCHARGE ROOF SECTION

SCALE 1:10



METRIC
WHOLE NUMBERS INDICATE MILLIMETRES
DECIMALIZED NUMBERS INDICATE METRES

WARNING

IF POWER EQUIPMENT OR EXPLOSIVES ARE TO BE USED FOR EXCAVATION ON THIS PROJECT THE CONTRACTOR MUST:
1) NOTIFY THE GAS COMPANY OF THE PROPOSED LOCATION OF EXCAVATION.
2) TAKE PRECAUTION TO AVOID DAMAGE TO GAS COMPANY INSTALLATIONS.
SEE PROVINCIAL REGULATION 210/72 FOR DETAILS

NO.	REVISIONS	DATE	BY	DATE	BY
4	ISSUED FOR TENDER	04.06.28	SHN		
3	ISSUED FOR CLIENT REVIEW	04.05.12	SHN		
2	PRE TENDER REVIEW	04.03.18	SHN		
1					

B.M. ELEV.			
POSTED TO LBIS			
DESIGNED BY	JP	CHECKED BY	SHN
DRAWN BY	SHN	APPROVED BY	
VERTICAL	AS NOTED	RELEASED FOR CONSTRUCTION	
DATE	2003 12 03	DATE	

THE CITY OF WINNIPEG
WATER AND WASTE DEPARTMENT

GALT FLOOD PUMPING STATION REDEVELOPMENT

DETAILS & SCHEDULES

SHEET 6 OF 6
CONSULTANT DRAWING NUMBER A5.3
CITY DRAWING NUMBER LD-3020

BID OPP: 244-2004
FILENAME: -