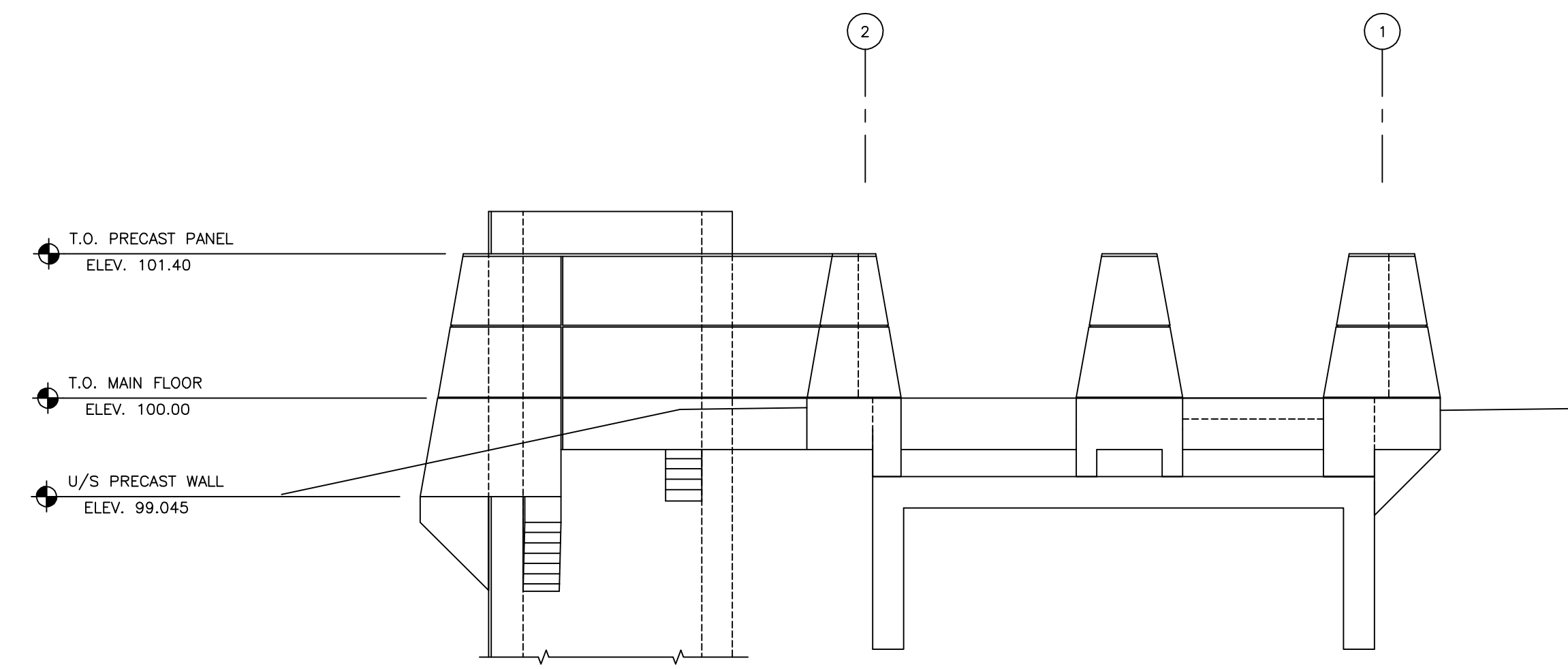
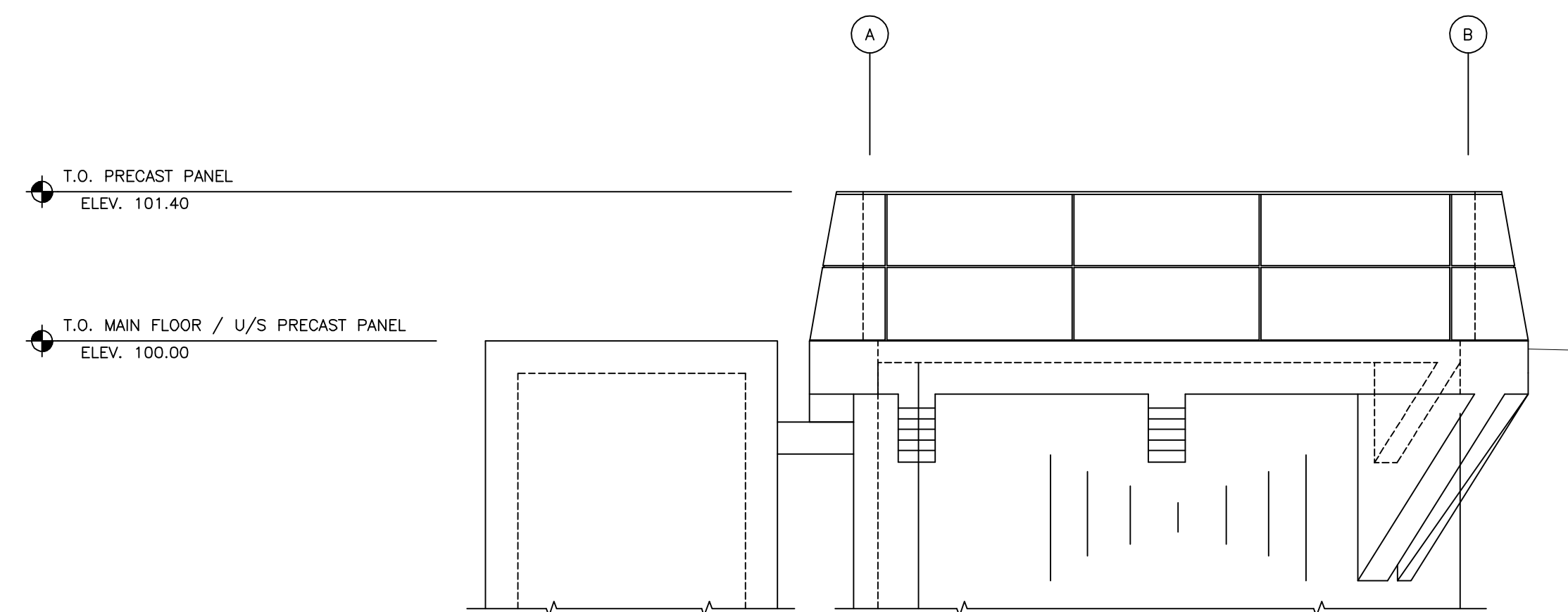


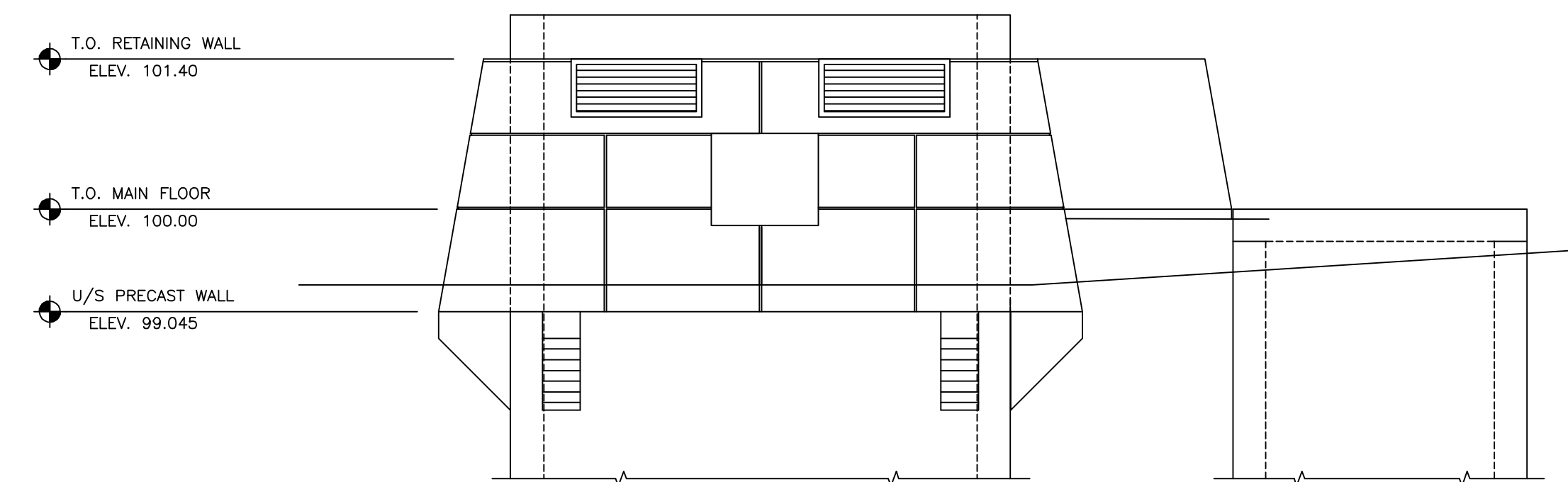
1 SOUTH ELEVATION
1 = 50 mm



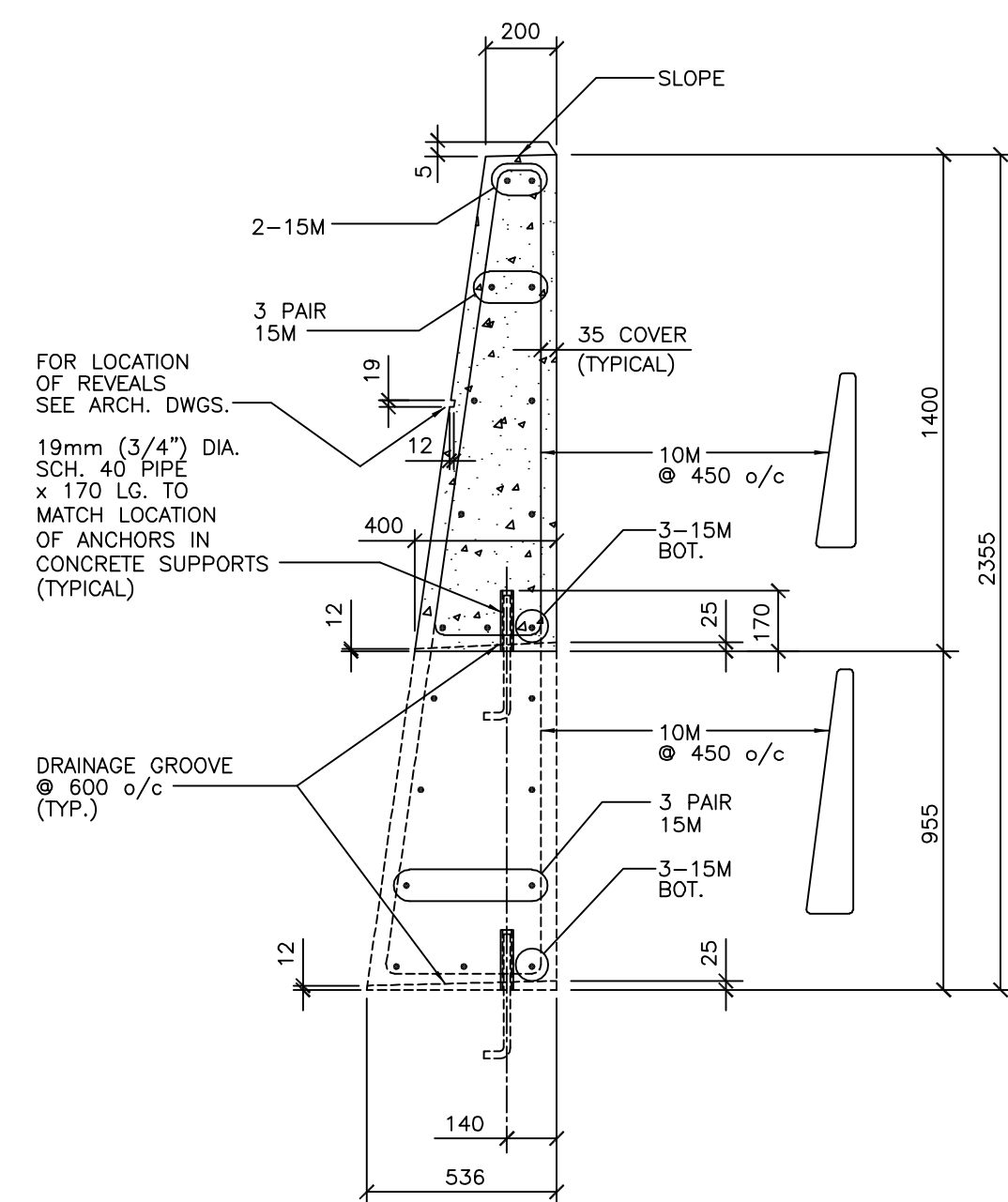
2 NORTH ELEVATION
1 = 50 mm



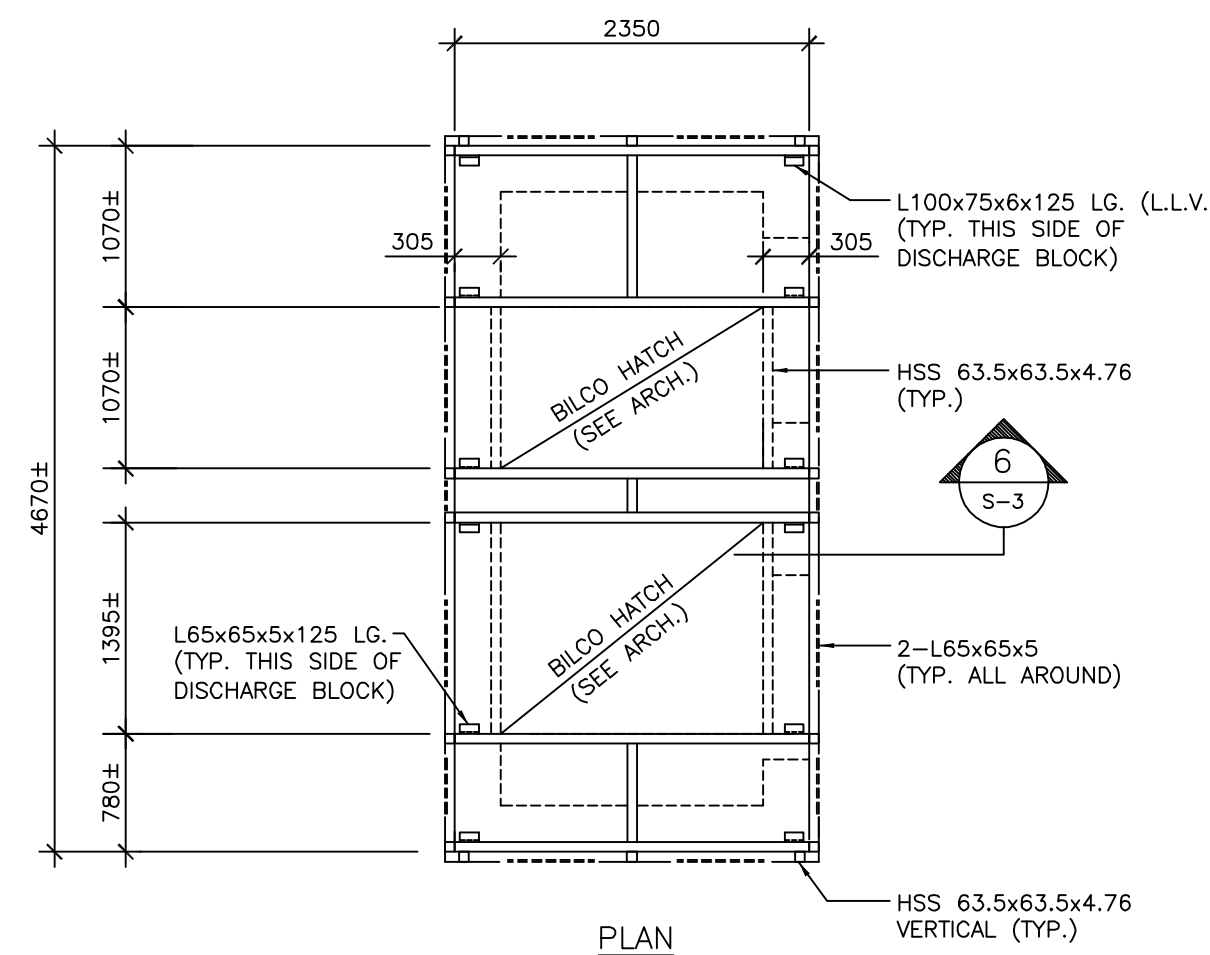
3 WEST ELEVATION
1 = 50 mm



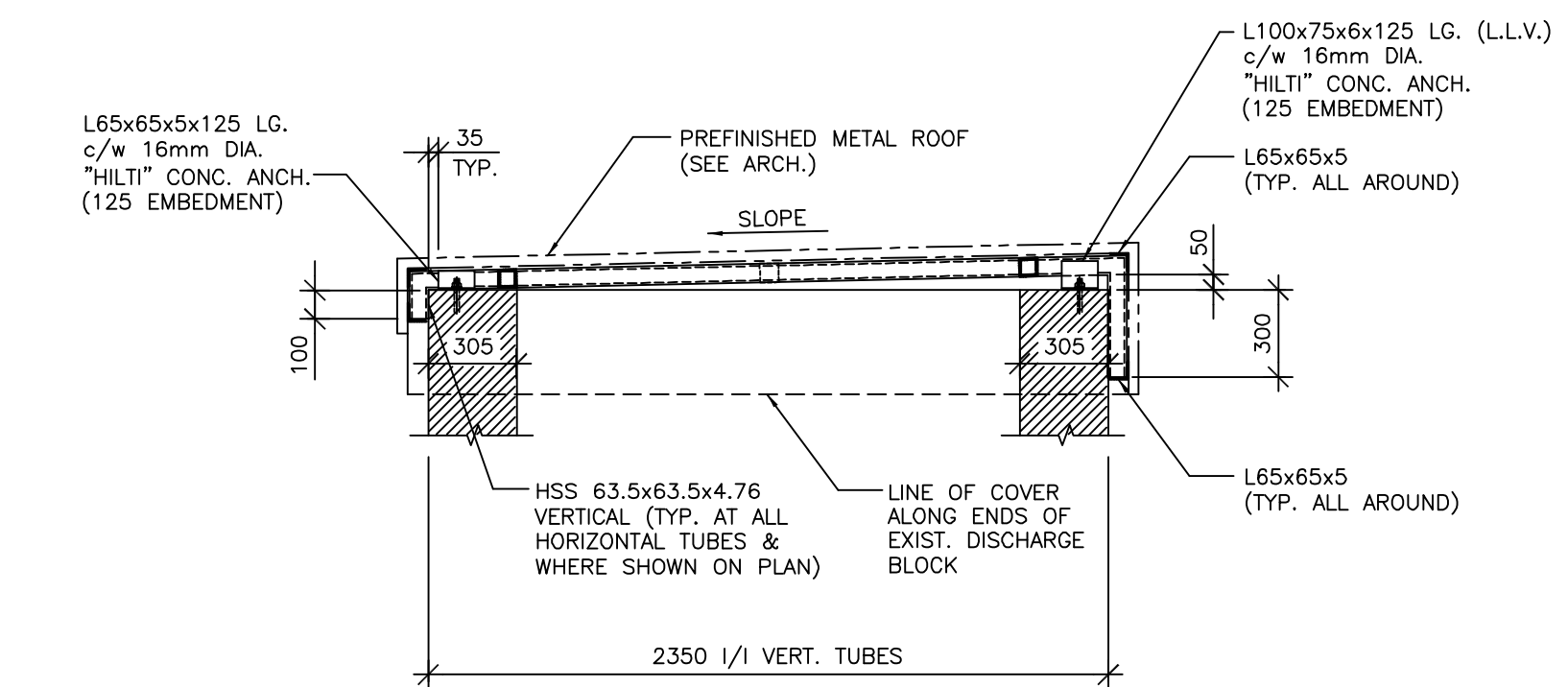
4 EAST ELEVATION
1 = 50 mm



PRECAST PANELS
1 = 20 mm



5 DETAIL - FLAT DISCHARGE BLOCK COVER AND FRAME
1 = 50 mm



6 SECTION
1 = 25 mm

METRIC
WHOLE NUMBERS INDICATE MILLIMETRES
DECIMALIZED NUMBERS INDICATE METRES

WARNING

IF POWER EQUIPMENT OR EXPLOSIVES ARE TO BE USED FOR EXCAVATION ON THIS PROJECT THE CONTRACTOR MUST:
1) NOTIFY THE GAS COMPANY OF THE PROPOSED LOCATION OF EXCAVATION.
2) TAKE PRECAUTION TO AVOID DAMAGE TO GAS COMPANY INSTALLATIONS.
SEE PROVINCIAL REGULATION 210/72 FOR DETAILS



BM ELEV.					
POSTED TO LBIS					
0 ISSUED FOR TENDER	22.06.04	RJL			
ND. REVISIONS	DATE	BY	DATE	2004 03 03	

DESIGNED BY	RJL	CHECKED BY	RJL
DRAWN BY	JHF	APPROVED BY	
AS NOTED		RELEASED FOR CONSTRUCTION	
VERTICAL		DATE	

ENGINEER'S SEAL	
BID OPP.	244-2004
FILENAME	-

		THE CITY OF WINNIPEG WATER AND WASTE DEPARTMENT	
GALT FLOOD PUMPING STATION REDEVELOPMENT		SHEET 3 OF 3 CONSULTANT DRAWING NUMBER S3	
ELEVATIONS		CITY DRAWING NUMBER LD-3023	