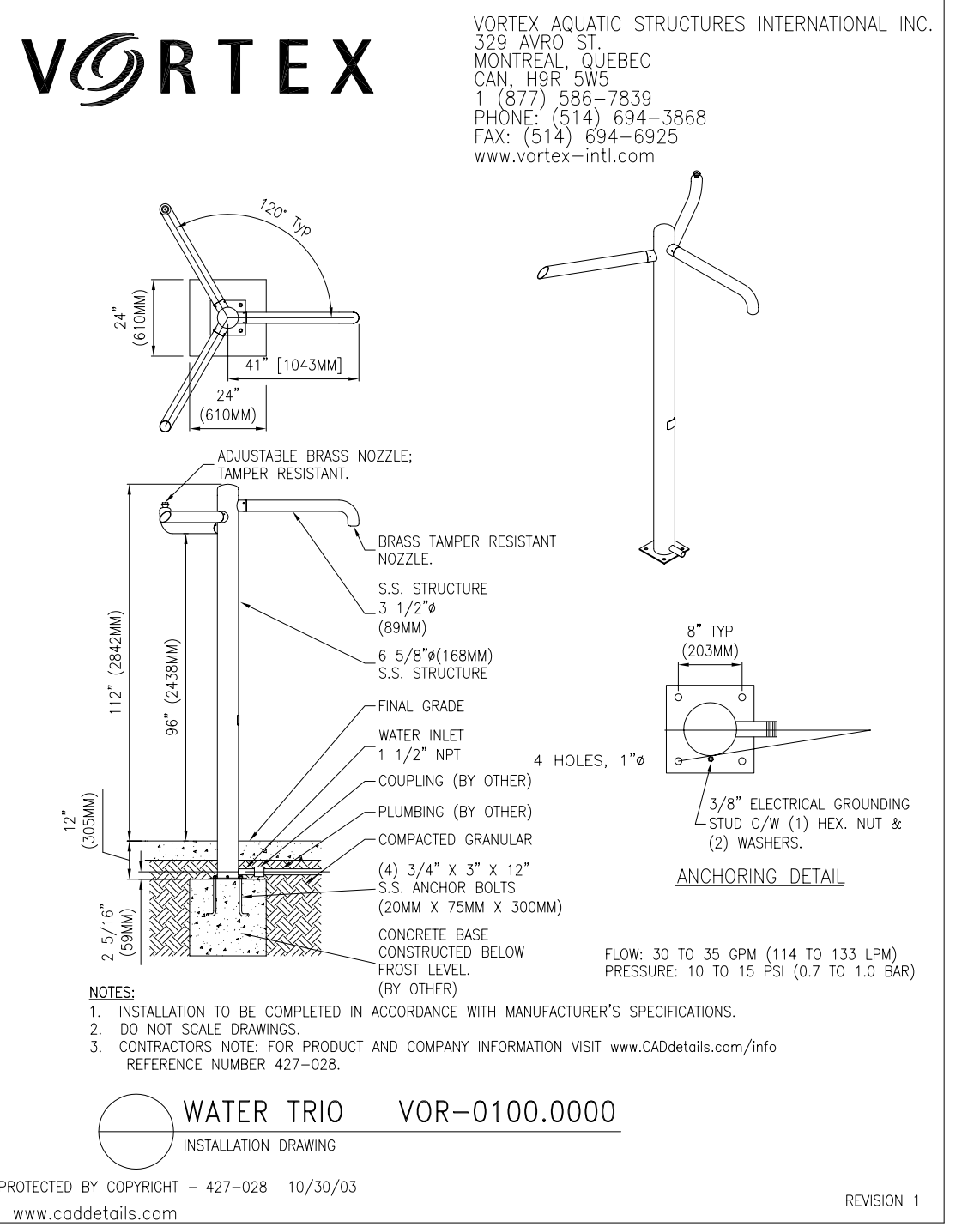
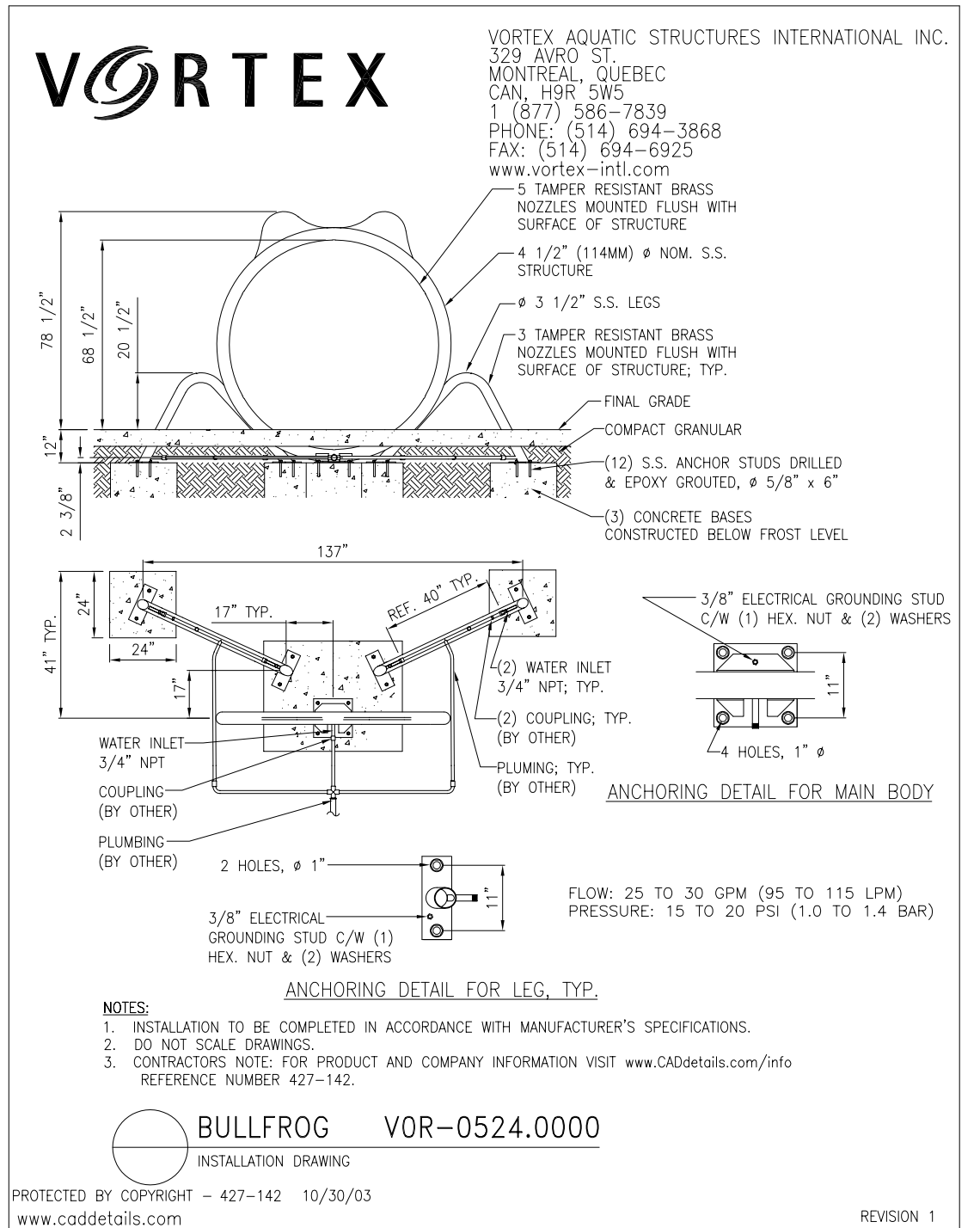
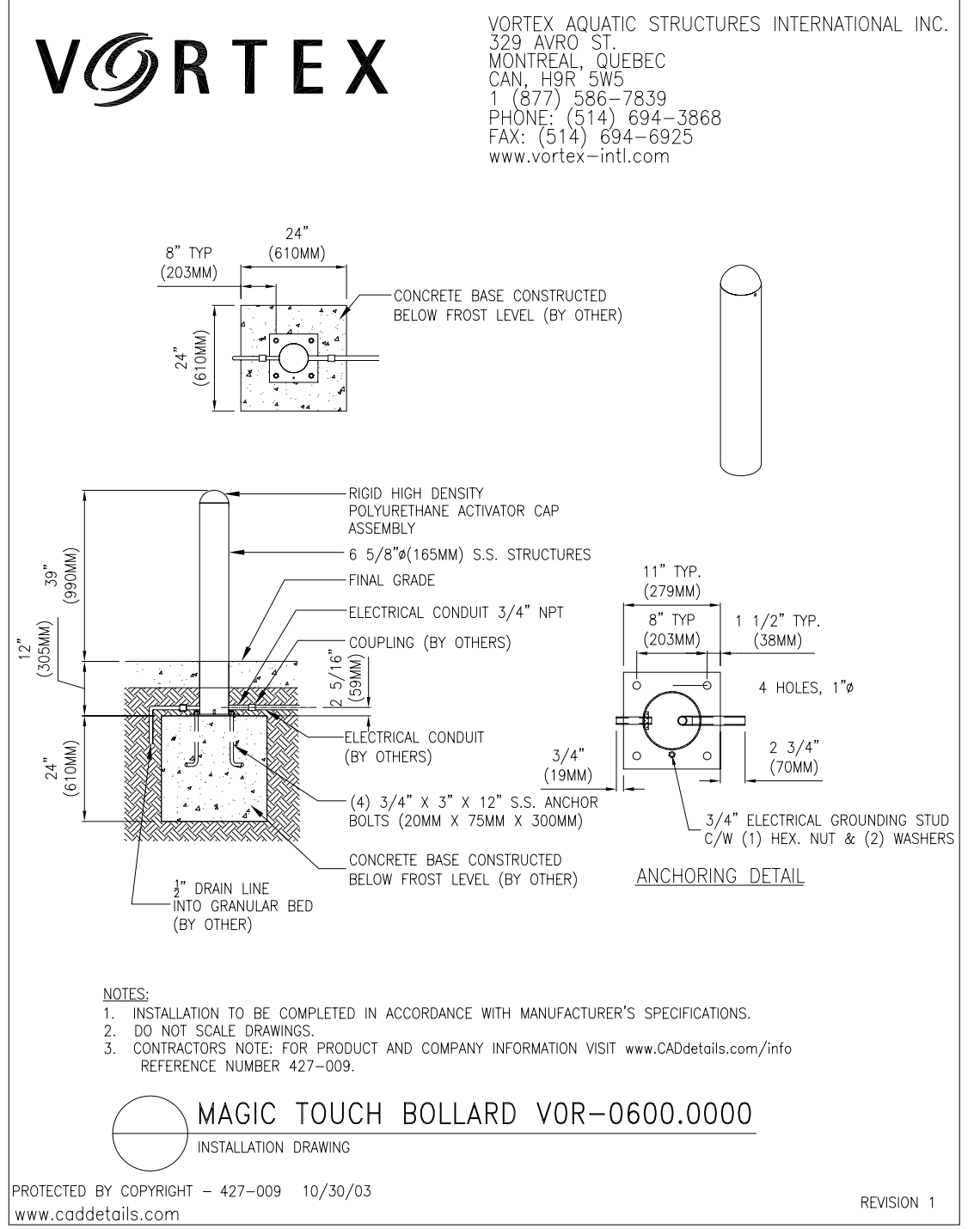
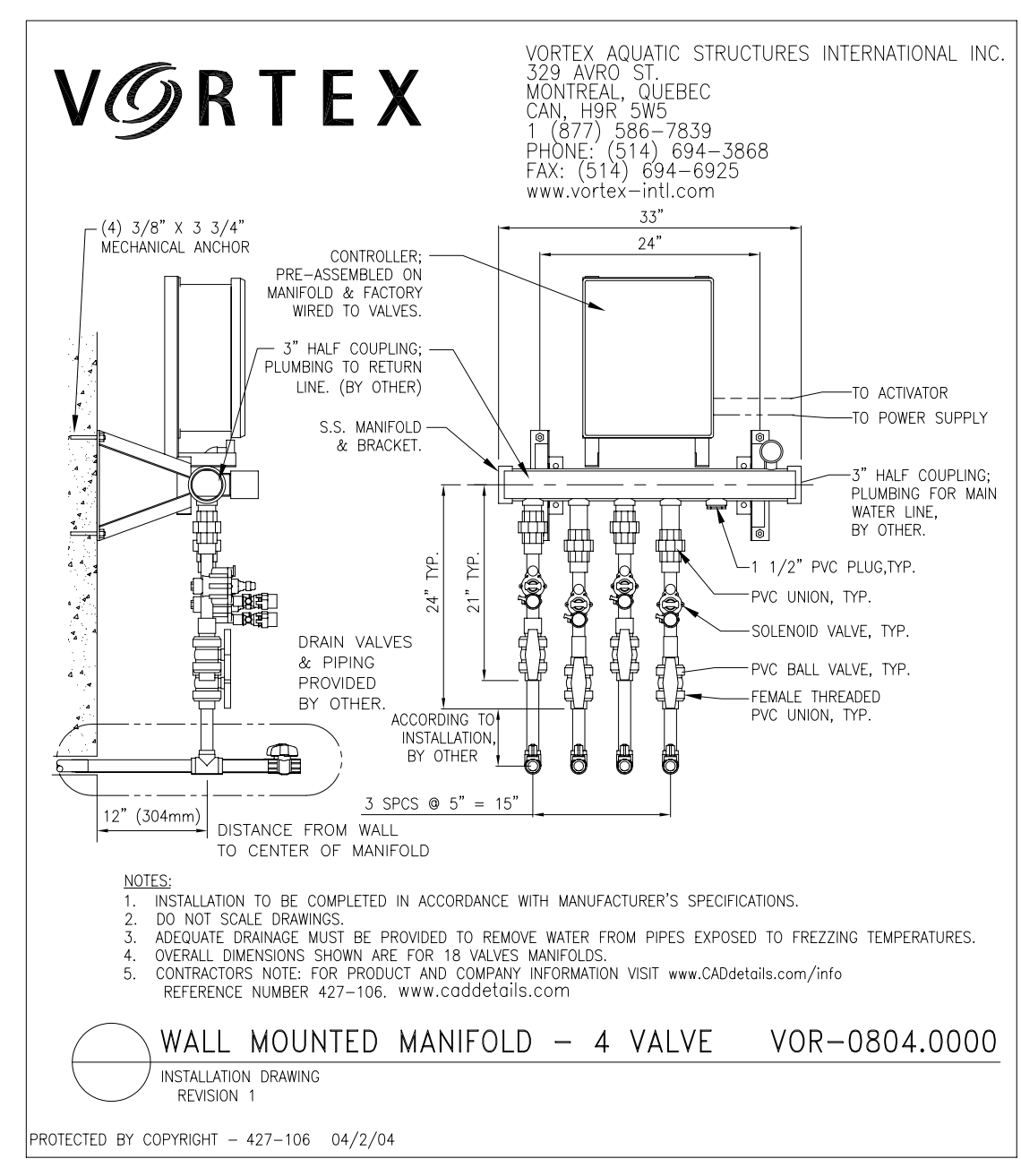
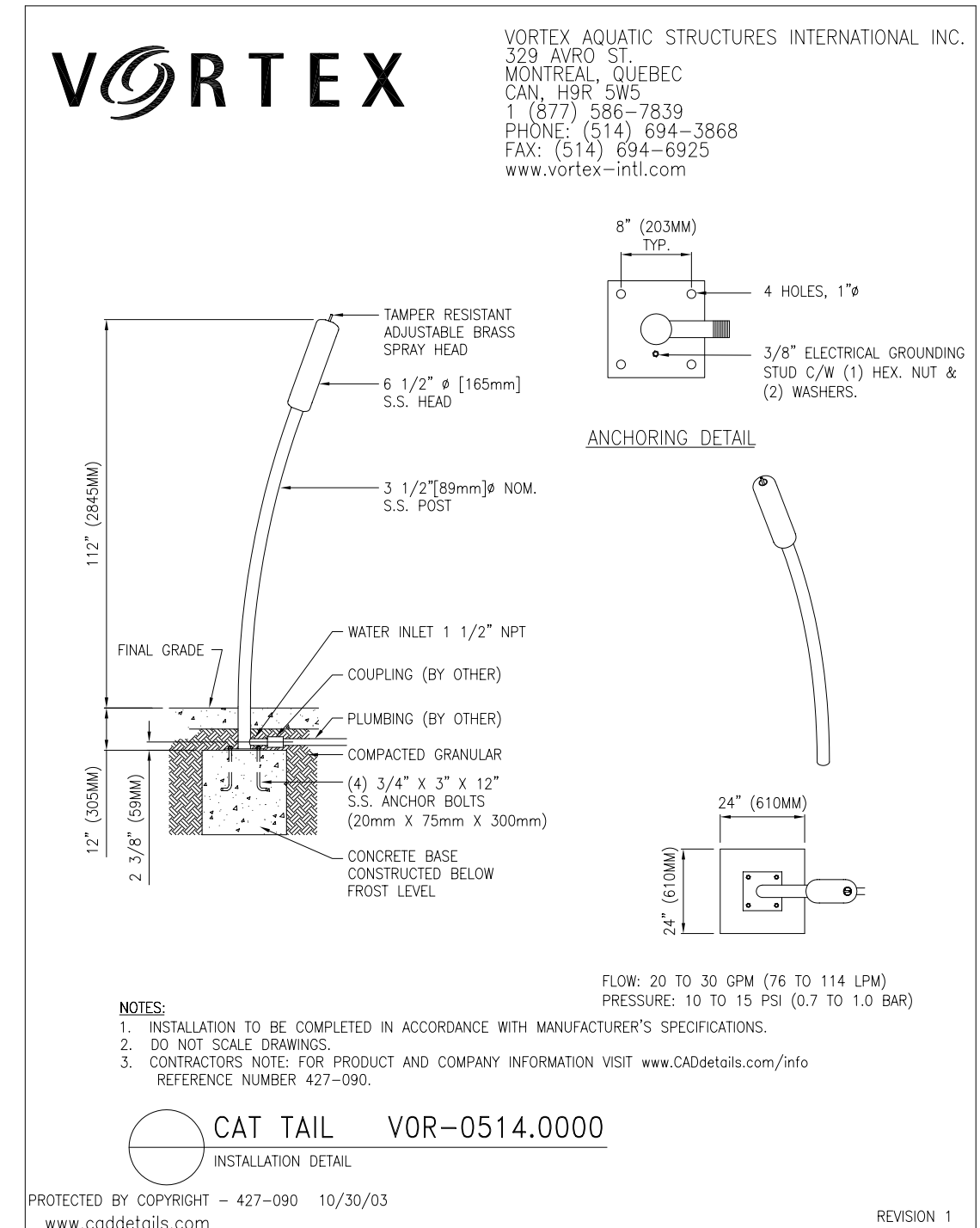
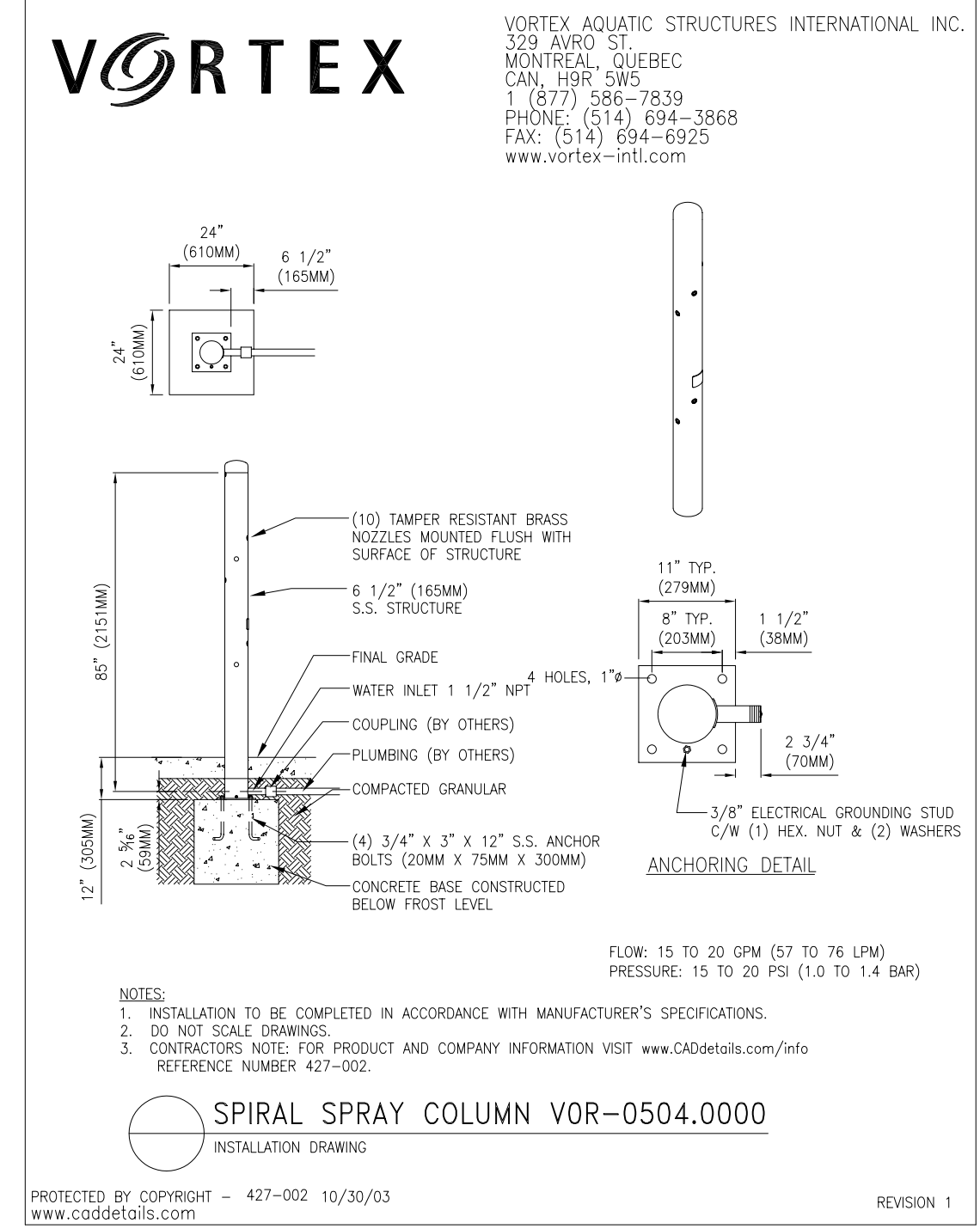


### ENLARGEMENT 1: WADING POOL

SCALE 1:75

- GENERAL NOTES**
- CONTRACTOR TO LOCATE ALL UNDERGROUND UTILITIES PRIOR TO CONSTRUCTION.
  - CONTRACTOR TO CONFIRM ALL DIMENSIONS ON SITE AND REPORT ANY DISCREPANCIES TO THE CONTRACT ADMINISTRATOR PRIOR TO CONSTRUCTION.
  - LAYOUT TO BE APPROVED BY CONTRACT ADMINISTRATOR PRIOR TO ANY CONSTRUCTION OR REMOVALS.
  - CONSTRUCTION ACCESS TO BE LIMITED TO THE ROUTES SPECIFIED ON SITE BY CONTRACT ADMINISTRATOR.
  - ALL DIMENSIONS ARE IN METRIC UNLESS OTHERWISE NOTED. DECIMAL NUMBERS INDICATE METERS.
  - CONTRACTOR TO REPAIR ALL ON AND OFF SITE SODDED AREAS, SHRUB BEDS, TREES, CONCRETE, ROAD PAVING AND CURBS ETC., DAMAGED DURING CONSTRUCTION TO CONTRACT ADMINISTRATOR'S SATISFACTION AND TO THE CITY OF WINNIPEG STANDARDS AT HIS/HER OWN COST.
  - DURING CONSTRUCTION, CONTRACTOR TO PROTECT TO CITY OF WINNIPEG STANDARDS ALL EXISTING TREES, SIDEWALKS, CURBS, SOD, UTILITIES, AND PAVING TO REMAIN. AREAS DAMAGED DURING CONSTRUCTION TO BE REPAIRED TO CITY OF WINNIPEG STANDARDS AT CONTRACTOR'S COST.
  - REFER ALSO TO WRITTEN SPECIFICATIONS.
  - REFER TO MECHANICAL DRAWINGS AND SPECIFICATIONS (M1 AND M2) AND ELECTRICAL DRAWINGS AND SPECIFICATIONS (E1).
  - CONTACT SUPPLIER FOR MANUFACTURER'S SPECIFICATION. RON AT PLAYGROUNDS - R- US 204-632-7000



2	ISSUED FOR TENDER	26/05/04	SR
1	ISSUED FOR DEVELOPMENT PERMIT	25/05/04	SR
No.	Revisions	Date	By
Date	Scale		
26-05-04		1:75	
Designed By	Drawn By	Checked By	
JW	JW	SR	

Seals

**McGOWAN RUSSELL**  
Client  
CITY OF WINNIPEG

Project Title  
**BURROWS CENTRAL PARKS RENOVATION PROJECTS**

Sheet Title  
**BOYD PARK WADING POOL RENOVATION**

Project No. 04-012 Drawing No. L5