

EXISTING	LEGEND-PLAN	PROPOSED	LEGEND-PLAN	EXISTING	LEGEND-PROFILE	PROPOSED
○	SUB-DRAIN	●	POLES	○	TEST HOLE	●
○	LAND DRAINAGE SEWER	○	TEST HOLE	○	GUY WIRE	○
○	WASTE WATER SEWER	○	TEST HOLE	○	LIGHT STANDARD	○
○	GAS	○	TEST HOLE	○	BACK OF CURB	○
○	HYDRO	○	TEST HOLE	○	EARLY CONCRETE	○
○	M.T.S.	○	TEST HOLE	○	CONCRETE	○
○	WATERMAIN	○	TEST HOLE	○	ASPHALT	○
○	HYDRANT	○	TEST HOLE	○	SIDEWALK	○
○	VALVE	○	TEST HOLE	○	PROPERTY LINE	○
○	MANHOLE	○	TEST HOLE	○	SURVEY BAR	○
○	CATCH BASIN	○	TEST HOLE	○	GEODETIC BENCHMARK	○
○	CURB INLET	○	TEST HOLE	○	ELEVATION	○
○	LEGEND-PLAN	○	TEST HOLE	○	LEGEND-PLAN	○

EXISTING	LEGEND-PROFILE	PROPOSED
○	C PROFILE	○
○	N/W LANE EDGE	○
○	S/E LANE EDGE	○
○	BUILDING EDGE	○
○	PARKING/DRIVEWAY	○
○	WINDOW/DOOR SILL	○

NO.	REVISIONS	DATE	BY	CR
0	ISSUED FOR TENDER	14/05/04	CR	
1	ISSUED FOR REVIEW	14/05/04	CR	

KGS GROUP CONSULTING ENGINEERS & PROJECT MANAGERS
 WINNIPEG, MANITOBA (204) 988-1208
 THUNDER BAY (807) 346-2233

DESIGNED BY: B.S.
 DRAWN BY: D.W.
 CHECKED BY: C.R.
 APPROVED BY: R.J.H.

PROJECT TITLE: 2004 ALLEY RENEWALS
 BROADWAY AVE. SOUTH LANE
 CARLTON ST. TO HARGRAVE ST.

ENGINEER'S SEAL: M.C. KOMIYAMA, PROFESSIONAL ENGINEER, REG. NO. 22879

SCALE: 1:250 METRIC A1

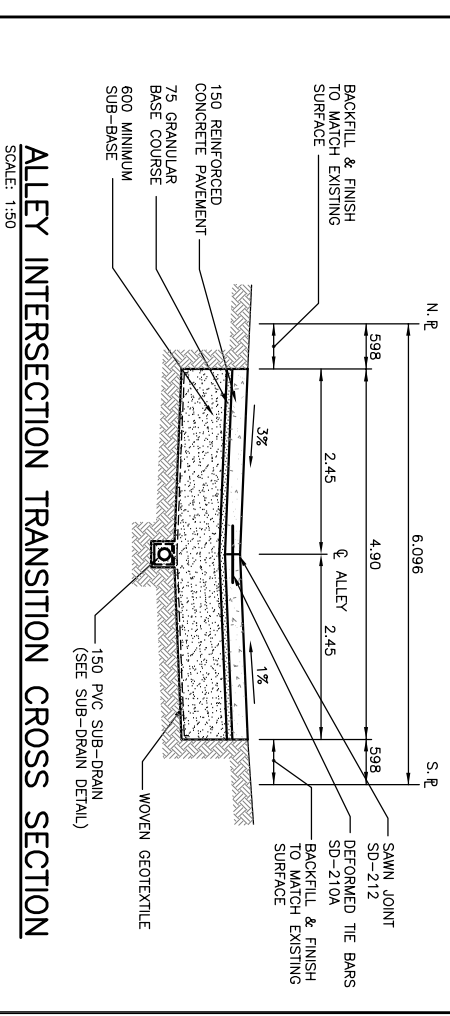
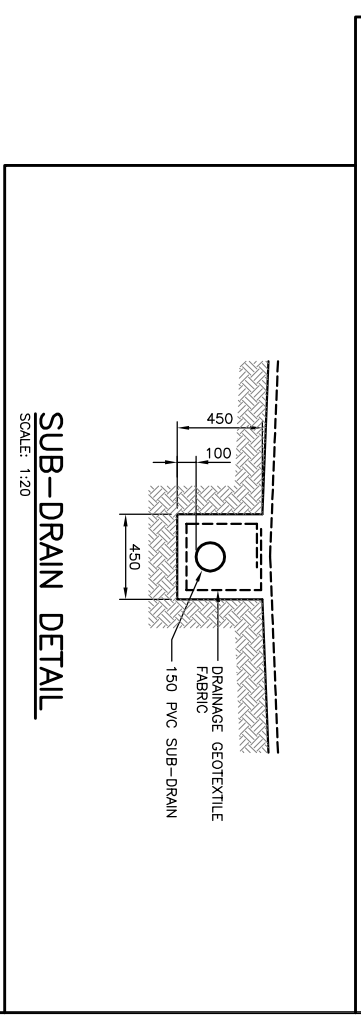
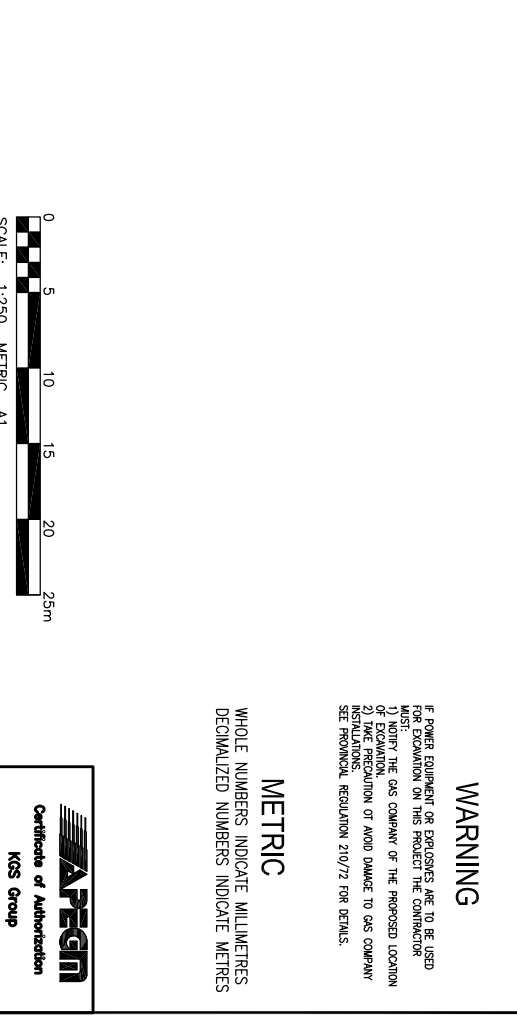
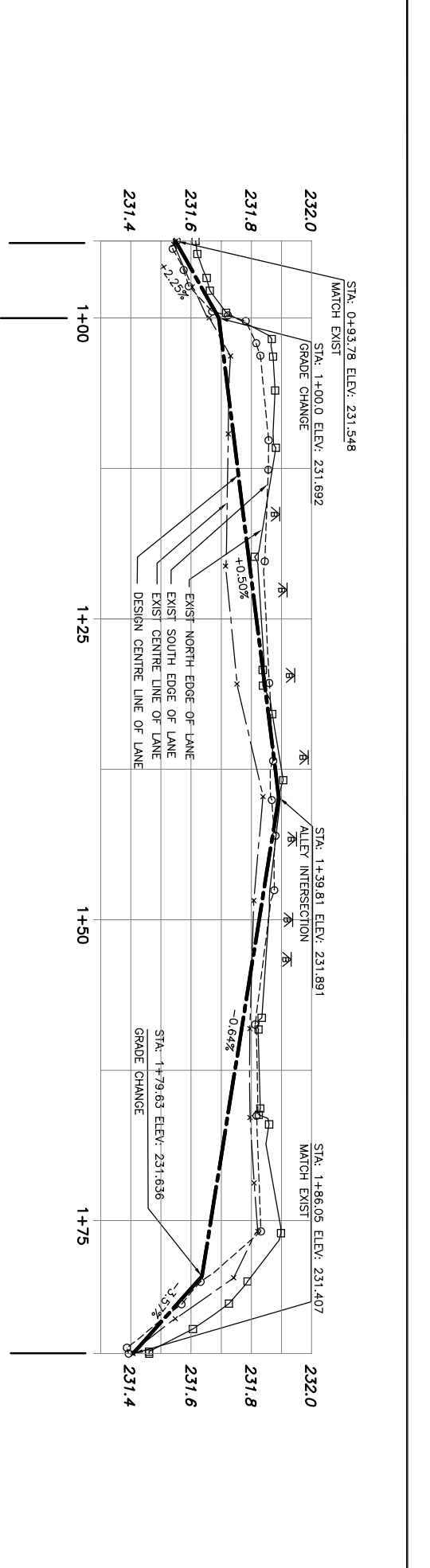
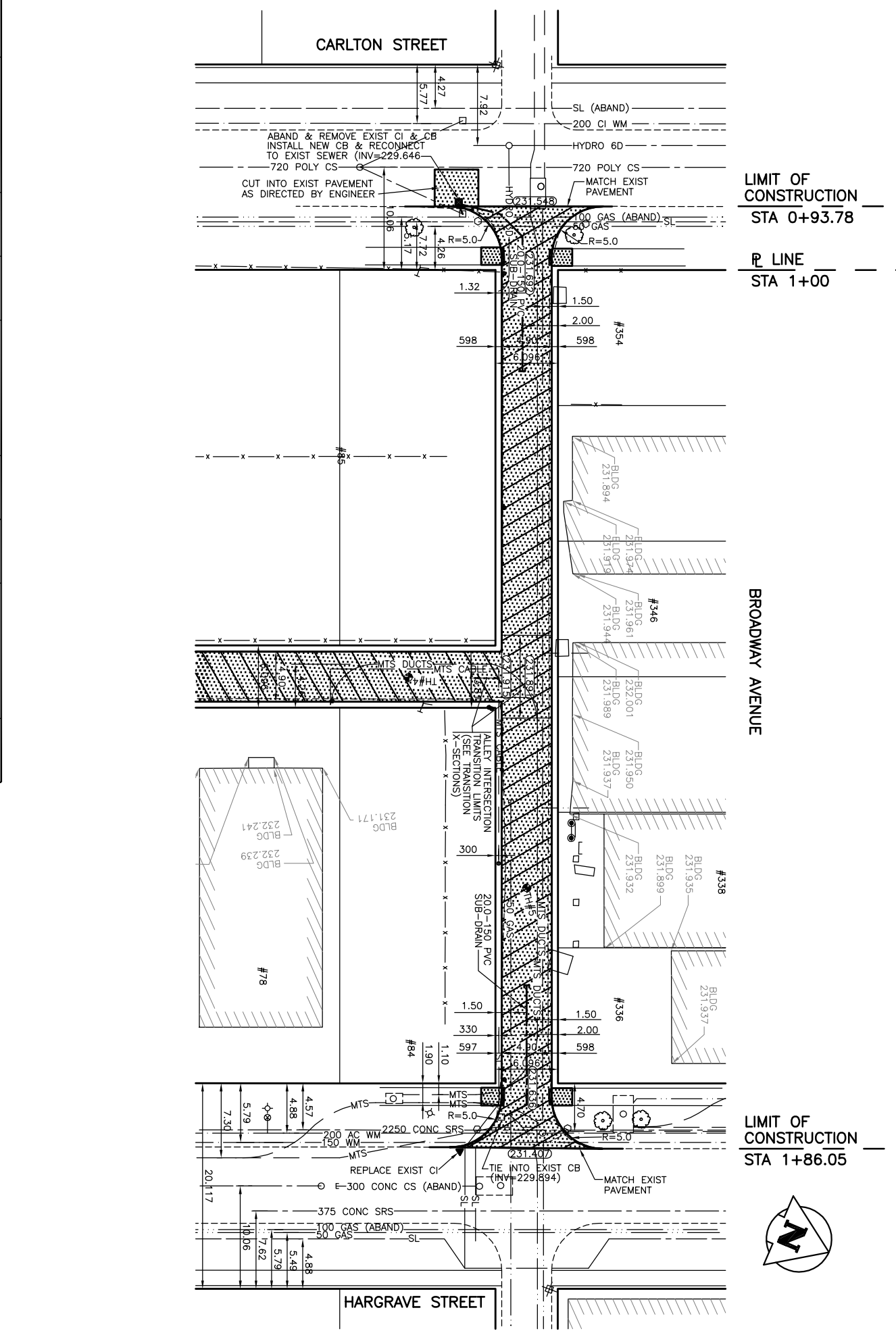
CONSULTANT DRAWING NO: 03-107-15

THE CITY OF WINNIPEG
 PUBLIC WORKS DEPARTMENT
 ENGINEERING SERVICES DIVISION

PROJECT TITLE: 2004 ALLEY RENEWALS
 BROADWAY AVE. SOUTH LANE
 CARLTON ST. TO HARGRAVE ST.

SHEET 06 OF 12
 COMPUTER FILE NAME: 03-107-15
 CITY DRAWING NUMBER

APGIN Certificate of Authorization
 KGS Group
 No. 245 Expiry: April 30, 2005



WARNING
 IF POWER EQUIPMENT OR EMPLOYEES ARE TO BE USED FOR EXCAVATION ON THIS PROJECT THE CONTRACTOR MUST NOTIFY THE GAS COMPANY OF THE PROPOSED LOCATION OF EXCAVATION.
 2) TAKE PRECAUTION OF AVOID DAMAGE TO GAS COMPANY SET PROVISIONAL REGULATION 210/72 FOR DETAILS.

METRIC
 WHOLE NUMBERS INDICATE MILLIMETRES
 DECIMALIZED NUMBERS INDICATE METRES