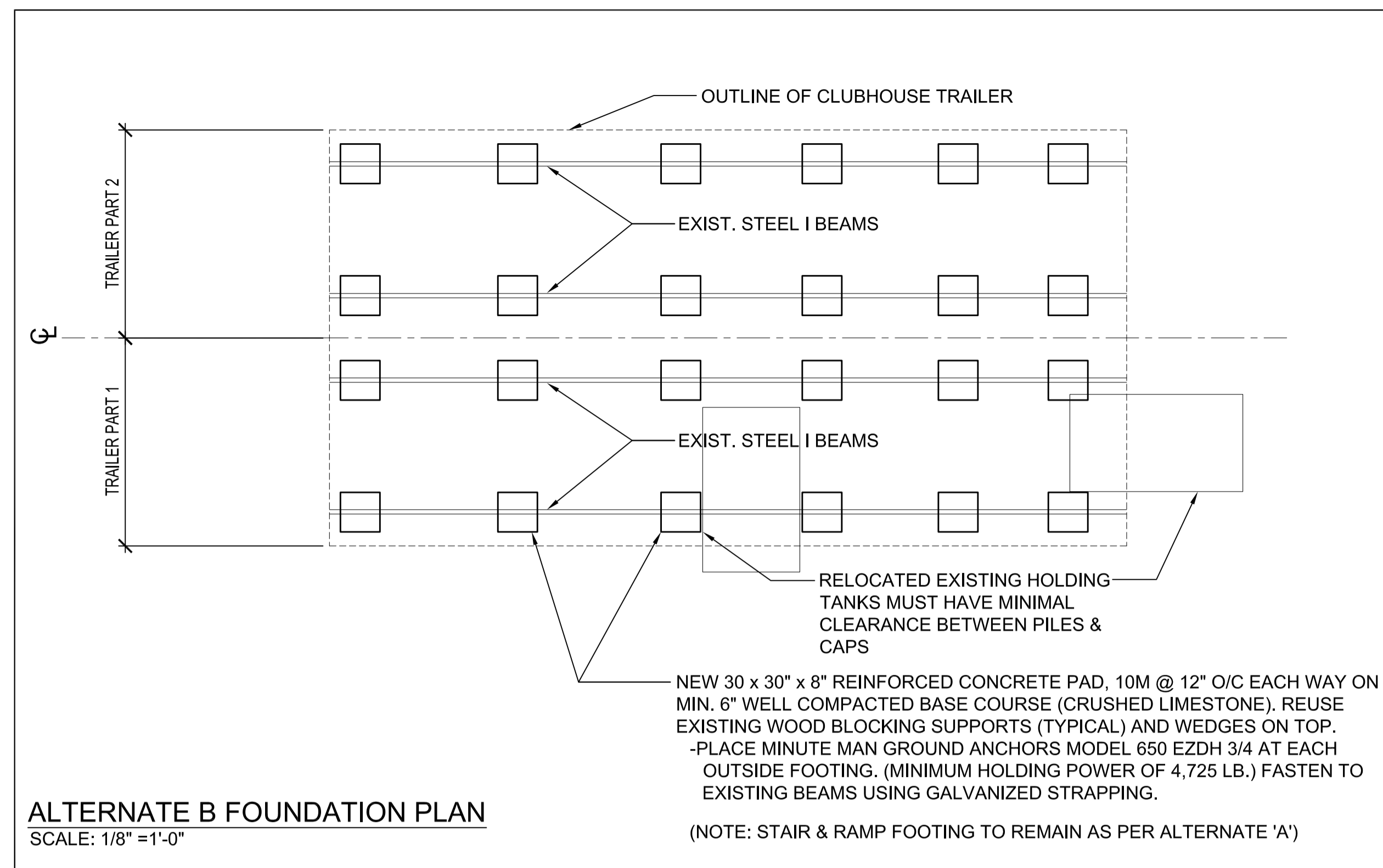


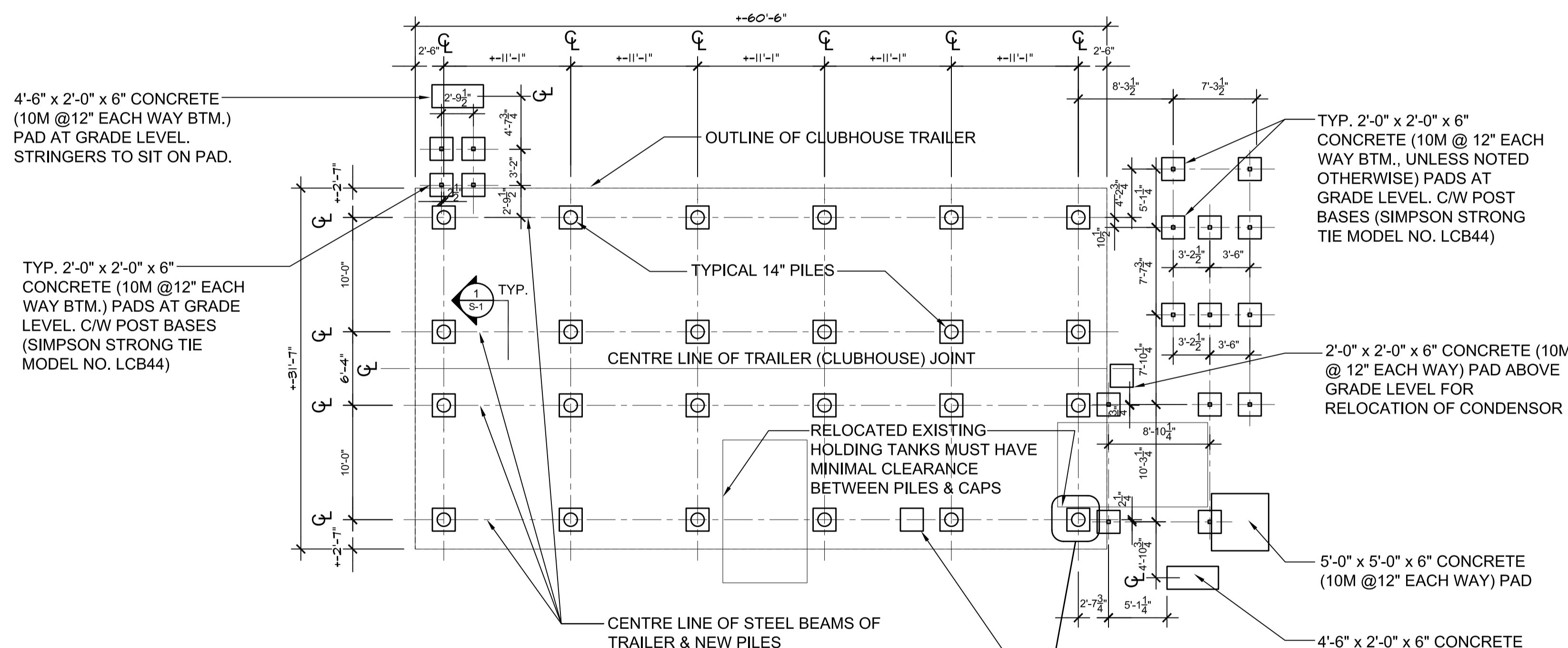
**EXISTING FOUNDATION PLAN**  
 SCALE: 1/8" = 1'-0"



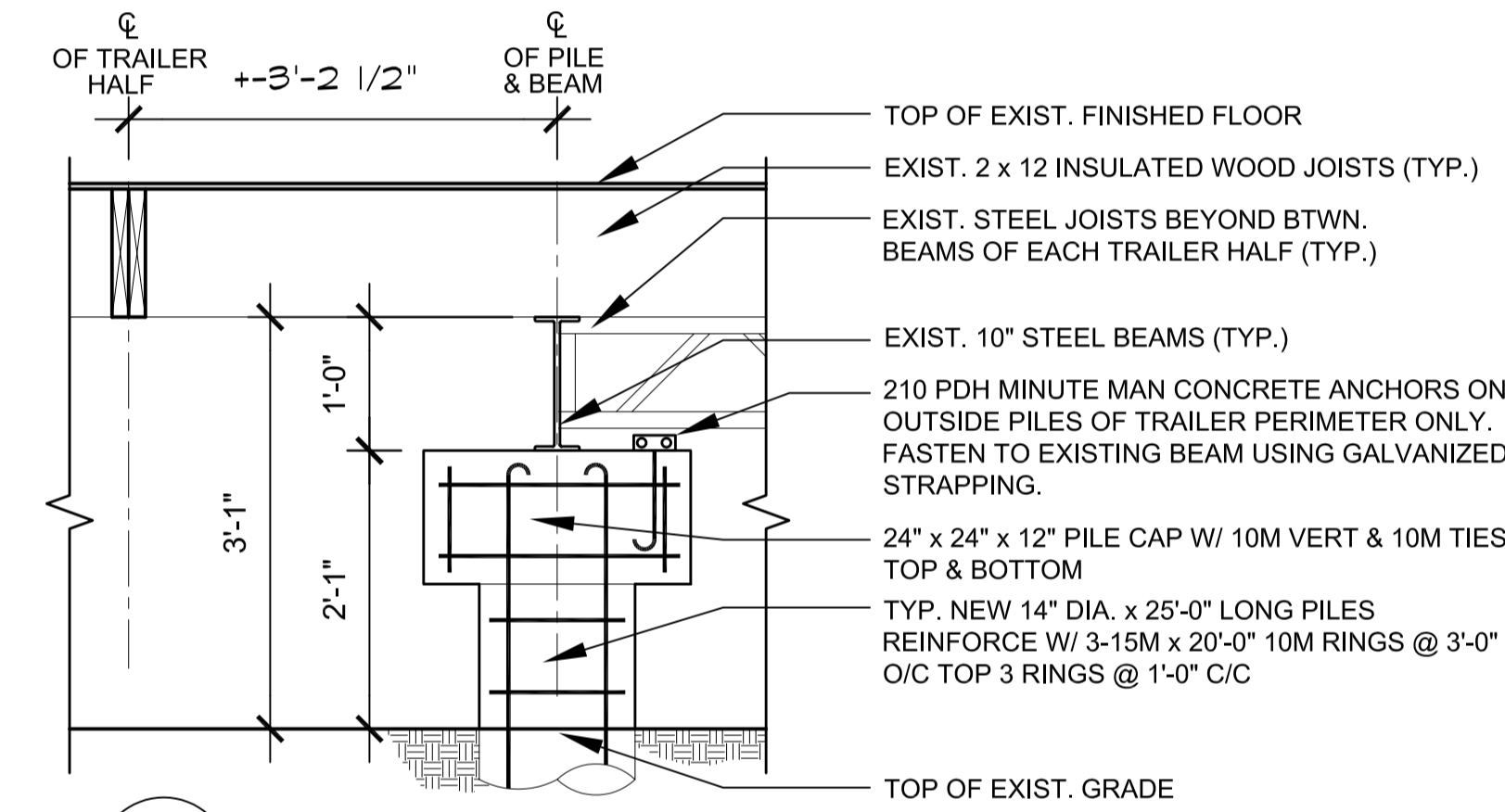
**ALTERNATE B FOUNDATION PLAN**  
 SCALE: 1/8" = 1'-0"

**STRUCTURAL NOTES:**

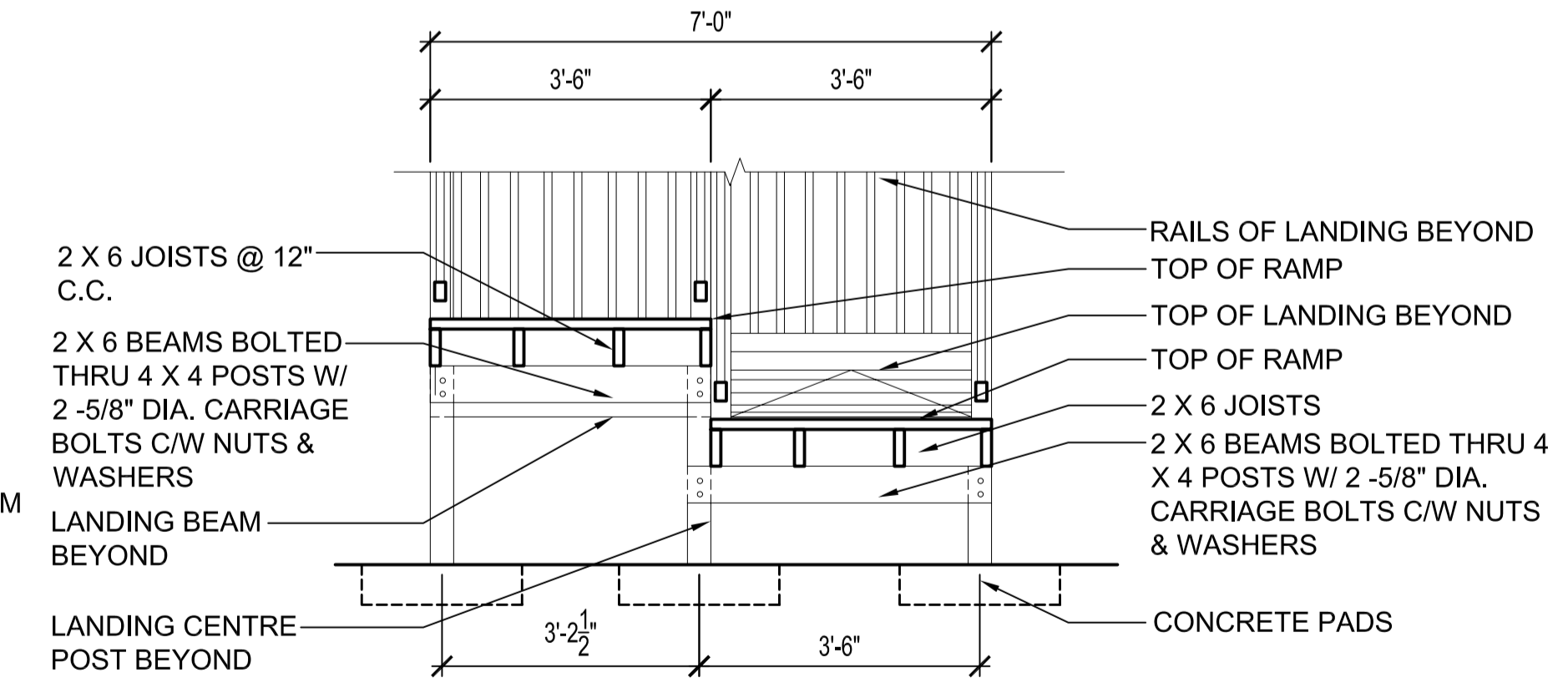
- ALL WORK SHALL COMPLY WITH THE LATEST EDITION OF THE MANITOBA BUILDING CODE.
- PILING DESIGNED AS CAST-IN-PLACE FRICTION PILES, DESIGN SKIN FRICTION VALUE 14.4KN/M2.  
 -CONCRETE SHALL BE 30 MPa (90mm SLUMP) USING SULFATE RESISTANT CONCRETE.  
 -ALL HOLES SHALL BE DRILLED TO DEPTHS AND IN EXACT LOCATIONS SHOWN ON DRAWINGS. THE CONTRACTOR SHALL NOTIFY THE CONTRACT ADMINISTRATOR IMMEDIATELY IF IMPOSSIBLE TO ATTAIN DEPTHS OR IF WATER IS ENCOUNTERED. CONTRACTOR SHALL PUMP WATER PRIOR TO POURING OR INCREASE SIZE OF PILING TO ACHIEVE NECESSARY FRICTION BEARING.
- CONCRETE  
 ALL CONCRETE CAPS & FOOTINGS SHALL BE 30 MPa, 20mm AGGREGATE, 5-7% AIR & 100mm SLUMP. REINFORCE W/ 10M @12" EACH WAY UNLESS NOTED OTHERWISE.  
 -CONTRACTOR SHALL CHECK ALL FOUNDATION DIMENSIONS ON STRUCTURAL DRAWINGS FOR COMPLIANCE WITH ARCHITECTURAL & MECHANICAL DRAWINGS.
- DESIGN LOADS  
 FLOOR LIVE LOAD: 100 psf  
 ROOF SNOW LOAD: 36 psf



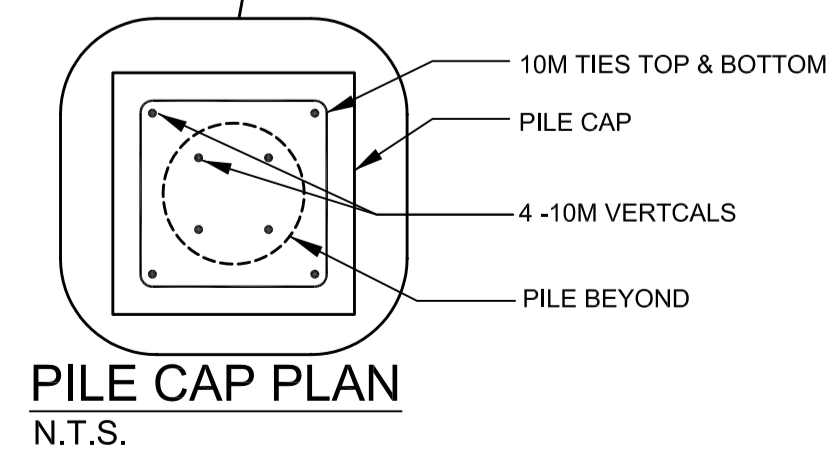
**ALTERNATE A NEW FOUNDATION PLAN, STAIR & RAMP FOOTINGS**  
 SCALE: 1/8" = 1'-0"



**1 BEAM & PILE DETAIL**  
 SCALE: 3/4" = 1'-0"



**2 RAMP & BEAM DETAIL**  
 SCALE: 1/2" = 1'-0"



**PILE CAP PLAN**  
 N.T.S.

ORIGINAL SEALED BY:  
 B.T.M. Konzelman P. Eng.  
 Date: 2004/06/18

NO.	REVISION/DESCRIPTION	BY	DATE

DRAWN BY	CHECKED BY	APPROVED
MMK	USER	APPROVAL

CITY OF WINNIPEG  
 PLANNING, PROPERTY &  
 DEVELOPMENT DEPARTMENT  
 CIVIC ACCOMMODATIONS DIVISION  
 300 - 65 GARRY ST. R3C 4K4

PROJECT  
 Wpg. Police Services -Bridgewater Park  
 Foundation Upgrading  
 341 CADBORO ROAD -Police Firing Range

SHEET TITLE  
 Existing Foundation,  
 New Foundation  
 & Details

SCALE	PROJECT NO.	SHEET NO.
Noted	2003-067	S-1