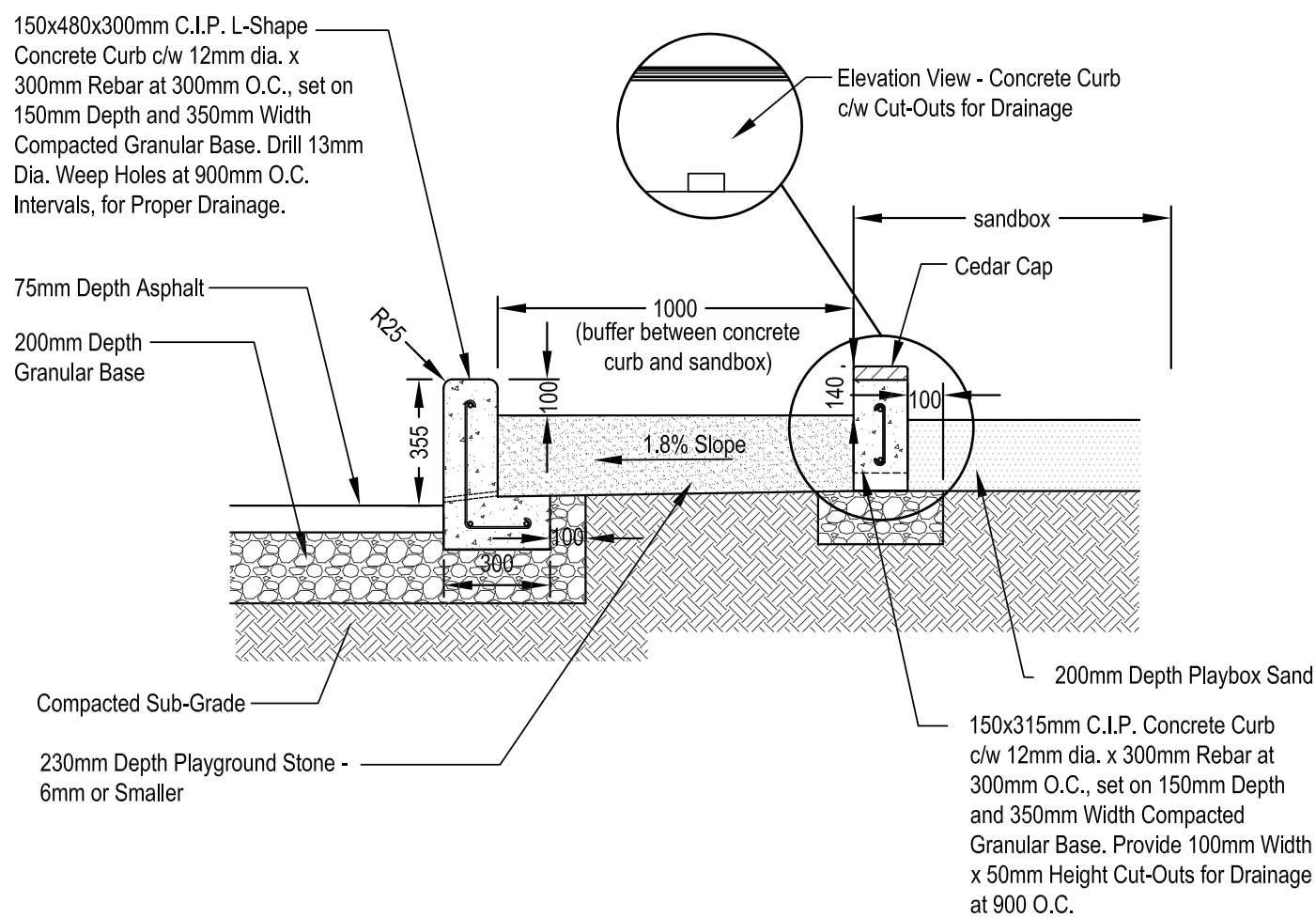
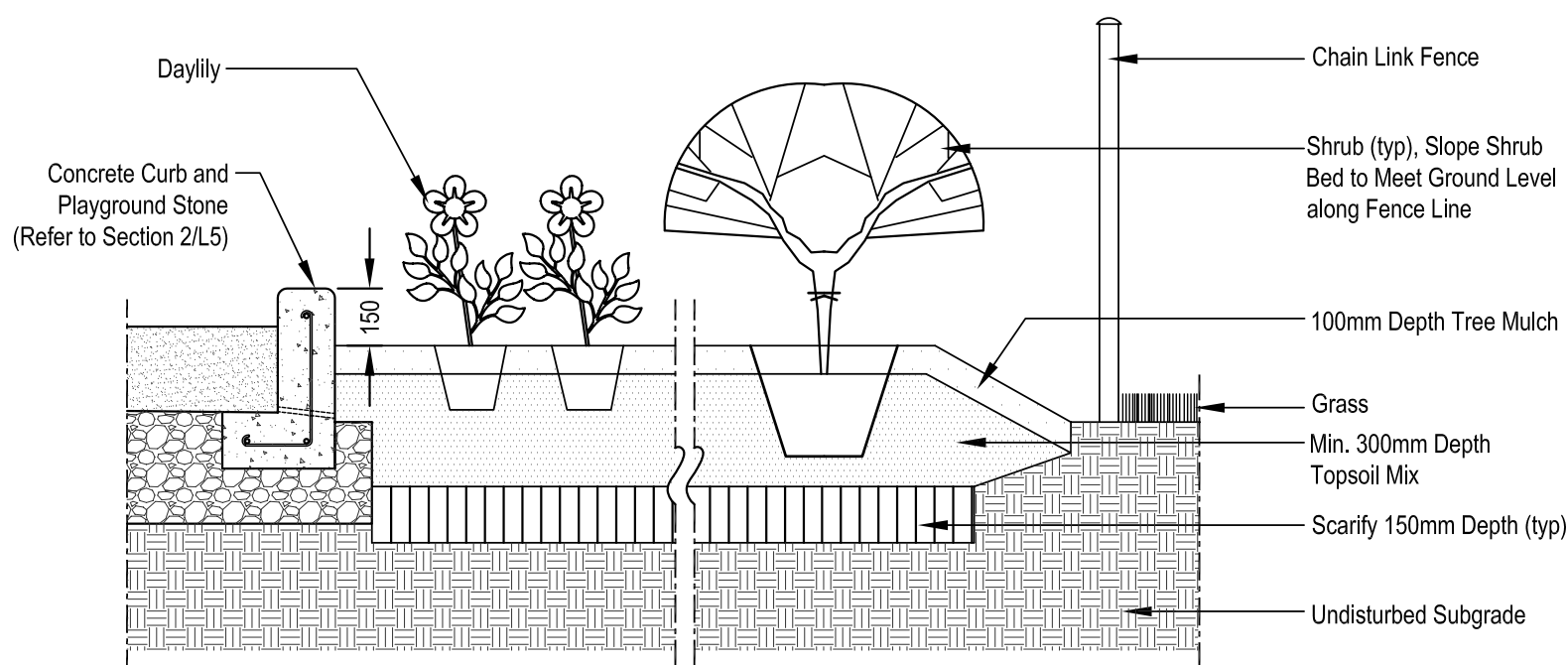


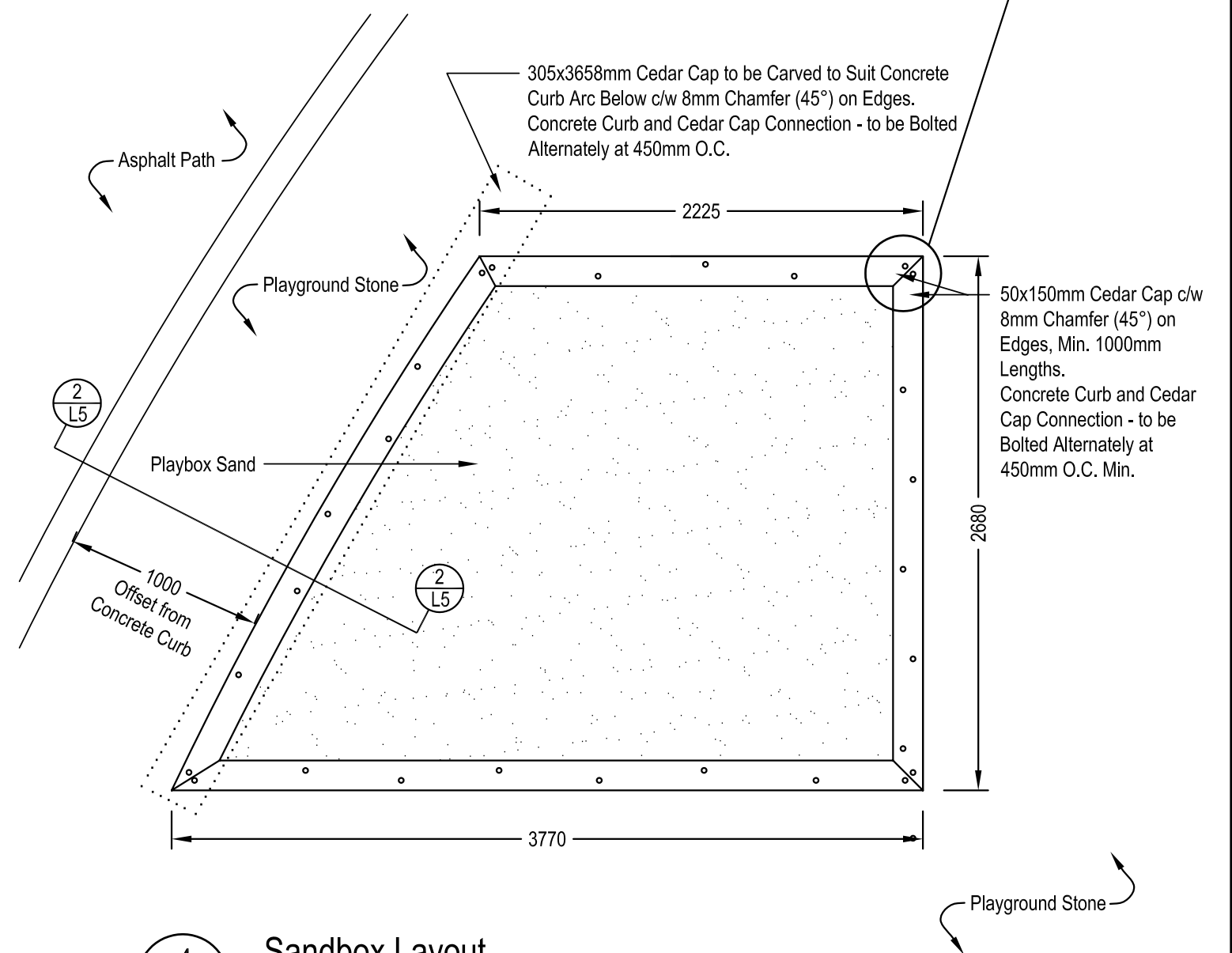
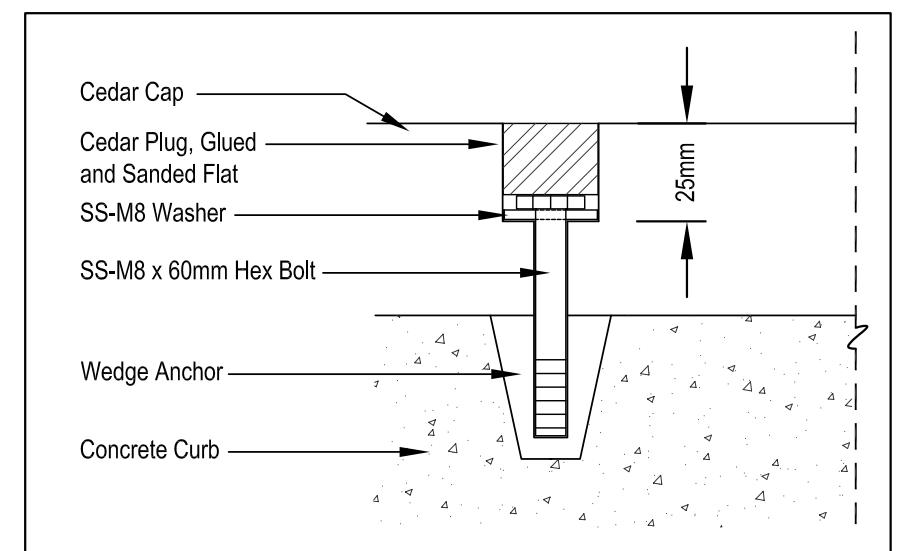
1 Deciduous Tree in Shrub Bed
L5 scale 1:30



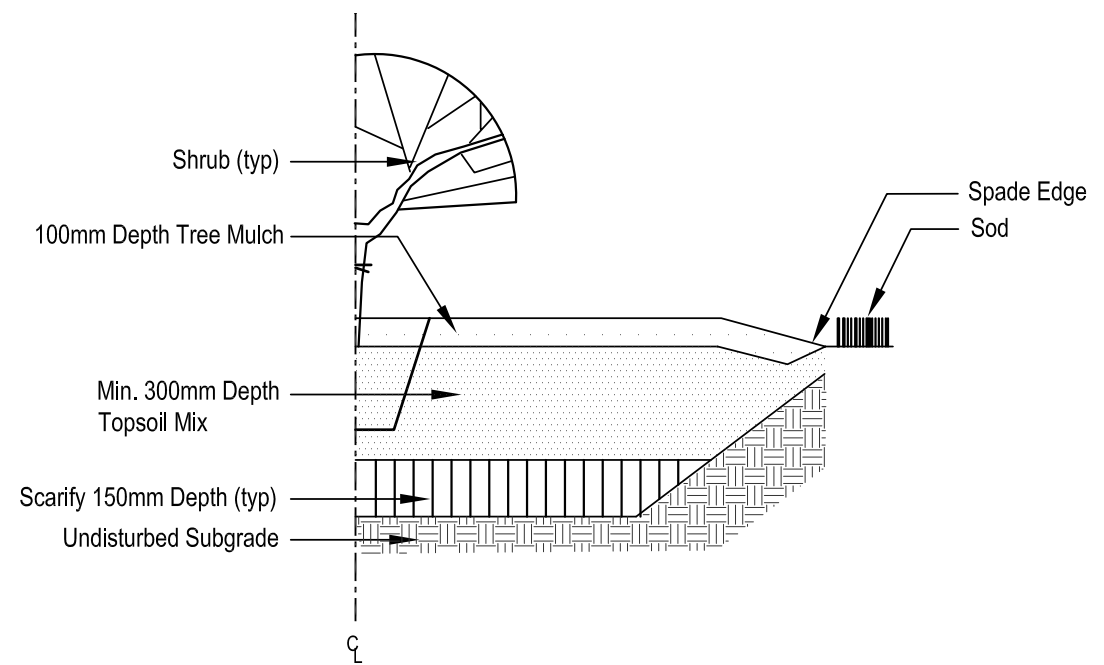
2 Asphalt Path, Concrete Curb,
Section - Playground Stone & Sandbox
L5 scale 1:20



3 Planting Bed - Adjacent to Play Area
L5 scale 1:20





4 Sandbox Layout
L5 scale 1:30

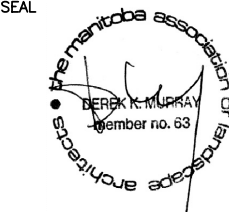


5 Planting Bed - Adjacent to Grass Edge
L5 scale 1:20

NO.	D / M / Y	DESCRIPTION	BY
REVISIONS / ISSUE			


 CLIENT:  CITY OF WINNIPEG
 PLANNING, PROPERTY and DEVELOPMENT

PROJECT: MINTO TOT LOT - 643 Minto Street
 PLAYGROUND RENOVATION
 TENDER NUMBER: 340-2004
 DWG. DESCRIPTION: DETAILS

SEAL: 
 DESIGNED BY: AH/CA
 CHECKED BY: DKM
 DRAWN BY: AH/CA
 CHECKED BY: DKM
 APPROVED: DKM
 SCALE: as noted
 DATE: JULY 16, 2004
 SMM DWG. NO.: 414
 CLIENT PROJECT NO.:
 REV: 0